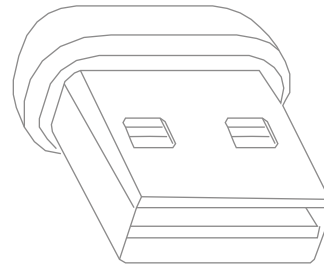




LM816 WiFi 802.11 b/g/n Nano Adapter

Host Controller Interface (HCI) via USB Interface

Product LM816
Part No See Last Page
Revised 02/AUG/2017



17mm x 15mm x 8mm

WiFi Features

- WiFi 802.11 b/g/n
- Operates in 2.4 GHz frequency bands
- Plug and Play (Linux, macOS X, Windows XP – 10, Windows 10 IoT Core and Windows Compact Embedded 6/7 compatible)
- Fully-featured software utility for easy configuration and management
- 1x1 MIMO technology improves effective throughput and range over existing 802.11 b/g products
- Up to 150Mbps Data Transfer Rate
- BPSK, QPSK, 16 QAM, 64 QAM, DBPSK, DQPSK, and CCK modulation schemes
- WEP, TKIP, and AES, WPA, WPA2 hardware encryption Schemes
- Can be setup as an ad-hoc network for peer to peer communication
- Small convenient size
- RoHS, REACH and WEEE compliant
- See our website for this products certifications.



Overview

The LM816 WiFi adapter is fully compliant with IEEE 802.11 n, b and g standards. It supports a data transfer rate of up to 150Mbps in ad-hoc mode or infrastructure mode network architectures.

It is designed to provide excellent performance with low power consumption and enhance a robust system.



LM816 WiFi 802.11 b/g/n Nano Adapter

Host Controller Interface (HCI) via USB Interface

Product LM816
Part No See Last Page

General Specification

Wireless

Wireless Standard	802.11 b/g/n
Module Type	Host Controller Interface (HCI)
OS Compatibility	Linux, macOS X, Windows XP – 10, Windows 10 IoT Core and Windows Embedded Compact 6/7
Security	WEP 64 bit, WEP 128 bit, TKIP, AES, WPA and WPA2
Network Architecture	Ad hoc mode (Peer-to-Peer) and Infrastructure mode

Hardware

Chipset	Realtek
Antenna	Onboard Chip Antenna
Interfaces	USB 2.0 (Full Speed)
LED	Power

RF Characteristics

Tx Output Power	(+/- 2dBm): 13dBm@11n, 17dBm@11b, 15dBm@11g
Rx Sensitivity	11Mbps -80dBm@8%, 54Mbps -70dBm@10%, 150Mbps -64dBm@10%
Range (in open space)	Up to 100m (Indoor) and Up to 180m (Outdoor)
Current Consumption	Transmit: average 125 mA Receive: average 68 mA Transmit & Receive: average 105 mA
Data Transfer Rate	1,2,5,5.6,11,12,18,22,24,30,36,48,54,60,90,120 Mbps to a maximum of 150Mbps
Frequency	2.4GHz ISM Band
Modulation Scheme	BPSK/ QPSK/ 16-QAM/ 64-QAM/ DBPSK/ DQPSK/ CCK
Spread Spectrum	IEEE 802.11b: DSSS (Direct Sequence Spread Spectrum) IEEE 802.11g/n: OFDM (Orthogonal Frequency Division Multiplexing)

Physical Characteristics

Operating Temperature	-10°C to +60°C ambient temperature
Storage Temperature	-20°C to +70°C ambient temperature
Humidity	5% to 90% maximum (non-condensing)
Dimensions (L x W x H)	17mm x 15mm x 8mm
Weight	1.8 g
Certifications	See our website for this products certifications.
Compliance	RoHS, REACH and WEEE

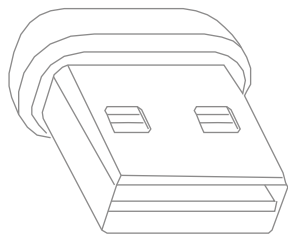


LM816 WiFi 802.11 b/g/n Nano Adapter

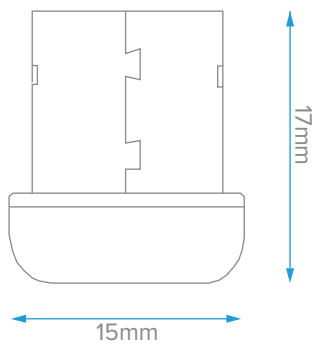
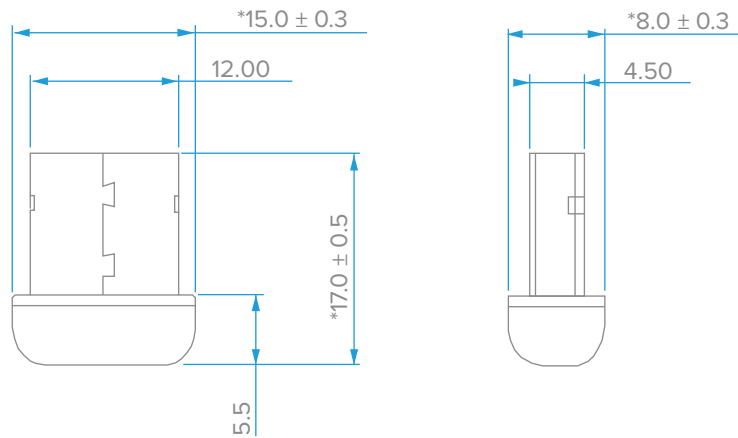
Host Controller Interface (HCI) via USB Interface

Product LM816
Part No See Last Page

Physical Dimensions



17mm x 15mm x 8mm





LM816 WiFi 802.11 b/g/n Nano Adapter

Host Controller Interface (HCI) via USB Interface

Product LM816
Part No See Below

LM816 Packaging Options



816-0648

SRP - Single Retail Pack
1 x LM816 WiFi USB Adapter



816-0649

AO - Adapter Only
1 x LM816 WiFi USB Adapter

- See our website to download any applicable Product Software, Manuals and Notes - <http://www.lm-technologies.com/downloads>

X-ON Electronics

Largest Supplier of Electrical and Electronic Components

Click to view similar products for [LM Technologies](#) manufacturer:

Other Similar products are found below :

[LM400](#) [LM832-0476](#) [LM910-0630](#) [LM930-0635](#) [LM931-0552](#) [LM506](#) [LM1010-0970](#) [530-0653](#) [530-0654](#) [LM254](#) [LM780](#) [LM252](#)
[LM072-3115](#) [LM253](#) [LM251](#) [LM822-1459](#)