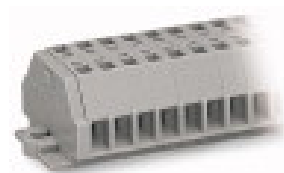




2-conductor terminal strip; with fixing flanges; for screw or similar mounting types; Fixing hole 3.2 mm Ø; with 209-123 mounting carrier for DIN 35 rail; 2-pole

Item No.: 260-102



2-conductor terminal strip; with fixing flanges; for screw or similar mounting types; Fixing hole 3.2 mm Ø; with 209-123 mounting carrier for DIN 35 rail; 2-pole

Marking

RoHS ✓
Compliant

Business data

Supplier	WAGO
Item no.	260-102
GTIN / EAN	4044918598767
Content	1
Order amount	100
Customer item number	

Notes

Technical data

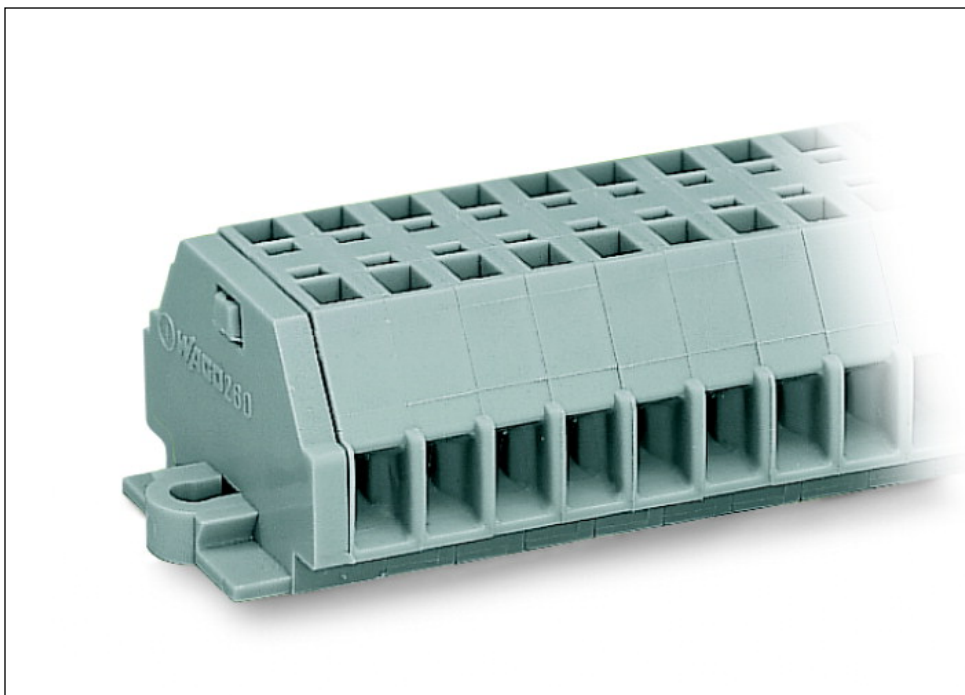
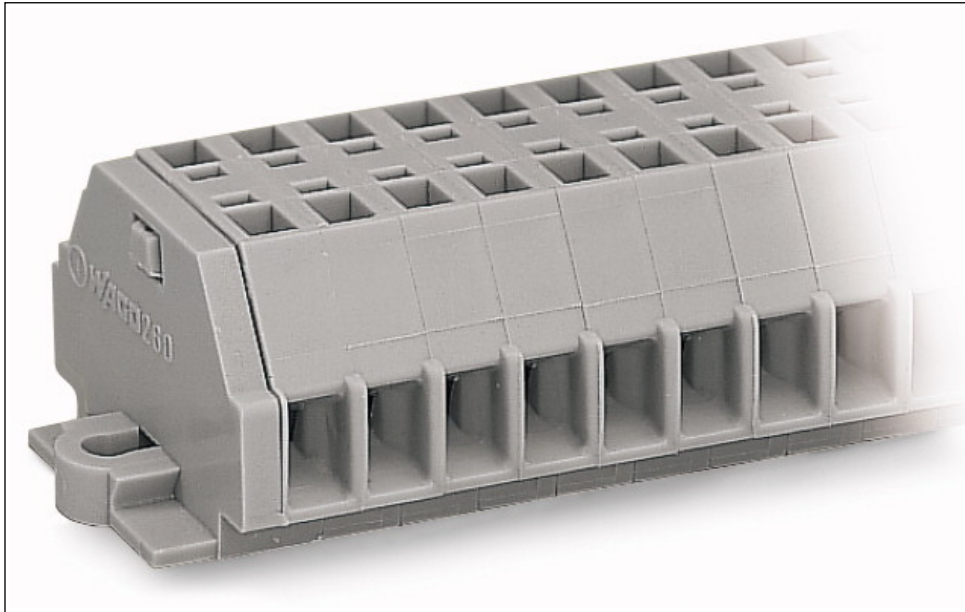
Miscellaneous

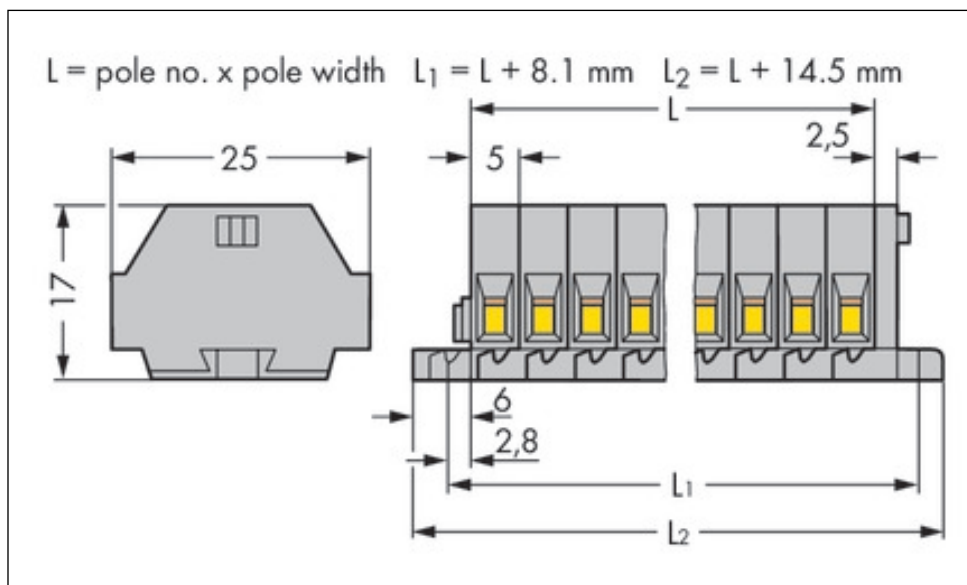
Packaging type	BOX
Rated voltage (III / 3) [V]	400 [V]
Rated impulse voltage (III / 3) [kV]	6 [kV]
Rated current [A]	18 [A]
Legend (ratings)	(III / 3) Overvoltage category III / Pollution degree 3

Printview: 2-conductor terminal strip; with fixing flanges; for screw or similar mounting types; Fixing hole 3.2 mm Ø; with 209-123 mounting carrier for DIN 35 rail; 2-pole - Item No.: 260-102

Technical data	
<i>Type of wiring</i>	<i>Side-entry wiring</i>
<i>No. of poles</i>	2
<i>Total number of connection points</i>	4
<i>Total number of potentials</i>	2
<i>Number of levels</i>	1
<i>Connection technology</i>	CAGE CLAMP®
<i>Number of connection points (connection type)</i>	2
<i>Actuation type</i>	<i>Operating tool</i>
<i>Connectable conductor materials</i>	Copper
<i>Solid conductor</i>	0.08 ... 1.5 mm ² / 28 ... 16 AWG
<i>Fine-stranded conductor</i>	0.08 ... 1.5 mm ² / 28 ... 16 AWG
<i>Strip length</i>	8 ... 9 mm / 0.31 ... 0.35 Inch
<i>Width</i>	24.5 mm / 0.965 Inch
<i>Height from the surface</i>	17 mm / 0.669 Inch
<i>Depth</i>	25 mm / 0.984 Inch
<i>Design</i>	horizontal
<i>Mounting type</i>	Mounting flange
<i>Marking level</i>	Side marking
<i>Color</i>	gray
<i>Fire load [MJ]</i>	0.091 [MJ]
<i>Weight [g]</i>	4.38 [g]

Images & drawings





Address

WAGO Kontakttechnik GmbH & Co. KG

Hansastr. 27

32423 Minden

Telefon: 0571/887-0

Fax: 0571/887-169

<http://www.wago.com>

© WAGO Kontakttechnik GmbH & Co. KG

Technische Änderungen und Irrtümer vorbehalten.

X-ON Electronics

Largest Supplier of Electrical and Electronic Components

Click to view similar products for [Wago manufacturer](#):

Other Similar products are found below :

[750-460](#) [231-118/026-000](#) [231-303/026-000](#) [231-620/019-000](#) [257-403](#) [280-438](#) [280-831](#) [284-624](#) [284-681](#) [206-861](#) [210-111](#) [231-303/037-000](#) [231-446/001-000_NR](#) [231-833/001-000](#) [232-216/026-000](#) [234-510](#) [264-726](#) [280-339](#) [793-500 2](#) [51228988](#) [209-132](#) [830-800/000-305](#) [788-507](#) [750-512](#) [264-321](#) [279-101](#) [281-365](#) [713-1428/107-000](#) [731-138/048-000](#) [750-459](#) [750-517](#) [750-601](#) [793-3505](#) [231-535/001-000](#) [2624-1103](#) [787-712](#) [713-1407](#) [2000-5457](#) [221-525](#) [832-1206](#) [832-3604](#) [281-512/281-501](#) [286-336](#) [288-437](#) [750-421](#) [750-838](#) [753-559](#) [750-1505](#) [787-732](#) [753-437](#)