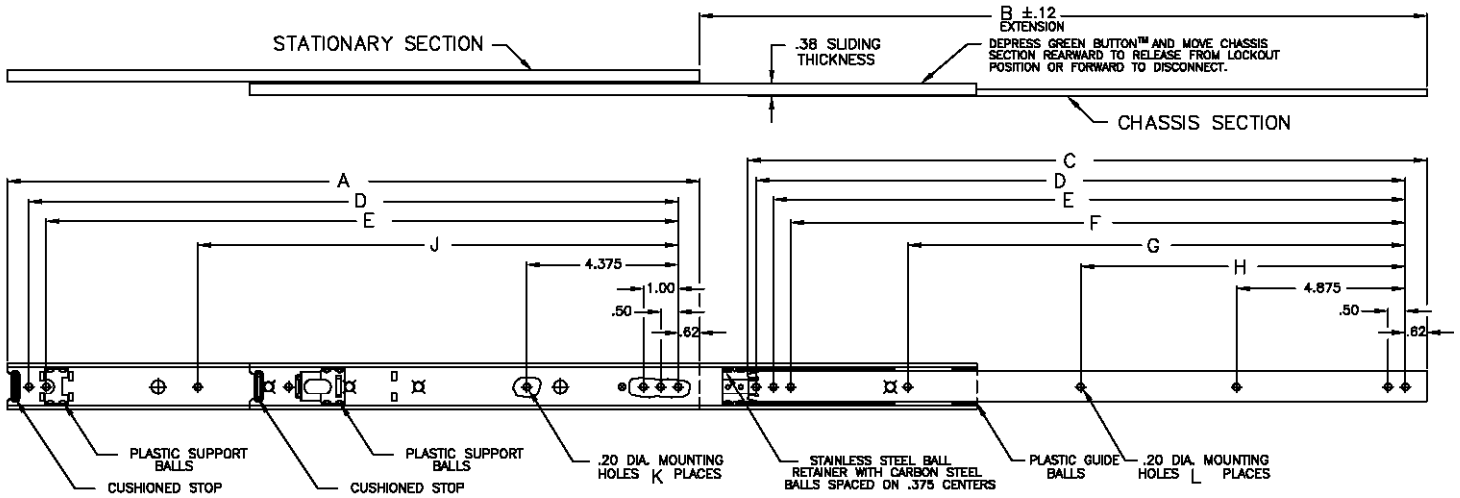


# CLB-305 Slide



## Full Extension, Quick Disconnect Ball Bearing Slide



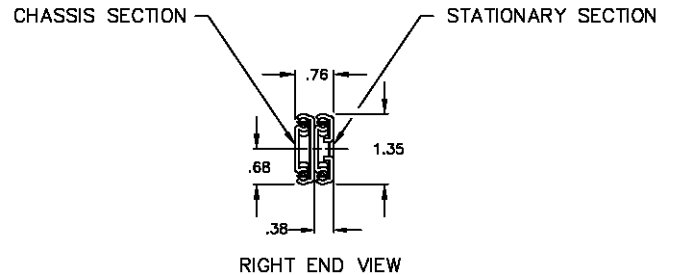
### TO ORDER, SPECIFY



Length (Dim. A)

AR - Automatic Release (non-locking)

Cabinet mounting selection if required. Enter CM and # of appropriate bracket. See page 48 for details on brackets available



*CLB-305 slide is designed to have .38 Sliding Thickness. See Note #5.*

### Notes

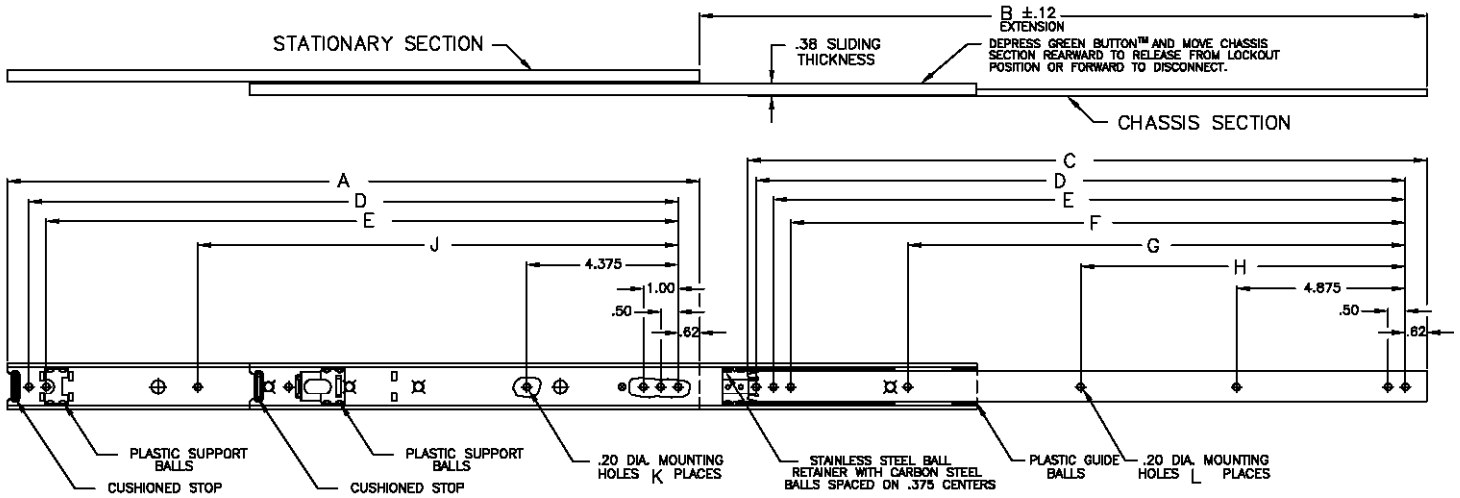
- CLB-305 consists of one set of two non-handed slides.
- All slides are supplied with special (.094" max. head height) #8-32x3/8 Phillips pan head screws and self-locking nuts for mounting one set of slides. Use only these special screws when mounting through slide member to prevent internal damage to ball retainer. If mounting to cabinet rails, see cabinet mounting section for ball bearing slides.
- CLB-305 has a front disconnect feature and locks at full extension. For non-locking, see "order" chart.
- Slide members are made from 14 gauge (.074) work hardened cold rolled steel.
- Slide is designed to allow stationary section to be mounted between the cabinet mounting rails to take advantage of the .38" sliding thickness. Recommended slide length is 1.0" less than the rail setting.**
- Finish: clear zinc commercial plating.
- Holes other than those shown may be in part at manufacture's option.
- Load capacity is based on one set of slides at full extension with load (center of gravity) centered between the slides and at midpoint of the slide (chassis section). Load capacities have a 100% (static load) safety factor at full extension. The slides will support more than the stated capacities but are not designed to be operated at capacities greater than those stated.
- Grease applied to ball bearing slides has a temperature range of -45°F to +350°F, however, due to the use of plastic guide and support balls, the slide is designed for applications not exceeding 150°F ambient temperature.
- Odd length slides available, see next page for dimensions - contact factory for more information.
- Other non-standard options which are available include: special marking, special extensions, special finishes, lock-in and complete design changes per customer request. Contact factory as these options will require a special reference number to assure receipt of specified options.

Catalog Number	A	B	C	D	E	F	G	H	J	K	L	Load Capacity
CLB-305-12	12.0	12.6	11.62	10.75	10.25	OMIT	OMIT	OMIT	OMIT	6	5	140 LBS.
CLB-305-14	14.0	15.0	13.62	12.75	12.25	11.75	OMIT	OMIT	OMIT	6	6	135 LBS.
CLB-305-16	16.0	17.0	15.62	14.75	14.25	13.75	OMIT	OMIT	9.875	7	6	125 LBS.
CLB-305-18	18.0	19.0	17.62	16.75	16.25	15.75	OMIT	8.375	11.875	7	7	120 LBS.
CLB-305-20	20.0	21.0	19.62	18.75	18.25	17.75	14.375	9.375	13.875	7	8	110 LBS.
CLB-305-22	22.0	23.0	21.62	20.75	20.25	19.75	16.375	10.375	15.875	7	8	100 LBS.
CLB-305-24	24.0	25.0	23.62	22.75	22.25	21.75	18.375	11.375	17.875	7	8	95 LBS.
CLB-305-26	26.0	27.0	25.62	24.75	24.25	23.75	20.375	12.375	19.875	7	8	90 LBS.
CLB-305-28	28.0	29.0	27.62	26.75	26.25	25.75	22.375	13.375	21.875	7	8	80 LBS.
CLB-305-30	30.0	31.0	29.62	28.75	28.25	27.75	24.375	14.375	23.875	7	8	75 LBS.

# CLB-305 Slide



## Full Extension, Quick Disconnect Ball Bearing Slide



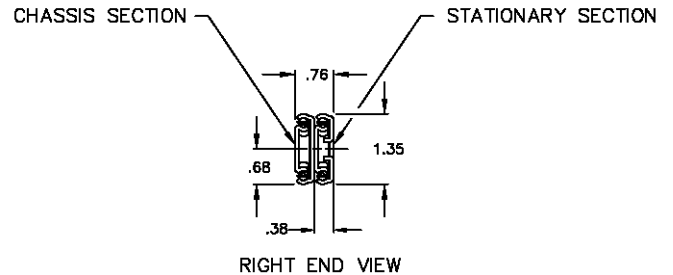
### TO ORDER, SPECIFY

**CLB-305** -  -  -

Length (Dim. A)

AR - Automatic Release (non-locking)

Cabinet mounting selection if required. Enter CM and # of appropriate bracket. See page 48 for details on brackets available



*CLB-305 slide is designed to have .38 Sliding Thickness. See Note #5.*

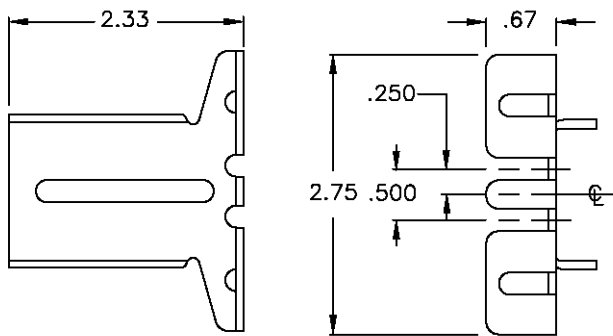
Slide Chart Including Odd Lengths  
\*Web Only

Catalog Number	A	B	C	D	E	F	G	H	J	K	L	Load Capacity
CLB-305-12	12.0	12.6	11.62	10.75	10.25	OMIT	OMIT	OMIT	OMIT	6	5	140 LBS.
CLB-305-13	13.0	14.0	12.62	11.75	11.25	10.75	OMIT	OMIT	OMIT	6	6	140 LBS.
CLB-305-14	14.0	15.0	13.62	12.75	12.25	11.75	OMIT	OMIT	OMIT	6	6	135 LBS.
CLB-305-15	15.0	16.0	14.62	13.75	13.25	12.75	OMIT	OMIT	OMIT	6	6	130 LBS.
CLB-305-16	16.0	17.0	15.62	14.75	14.25	13.75	OMIT	OMIT	9.875	7	6	125 LBS.
CLB-305-17	17.0	18.0	16.62	15.75	15.25	14.75	OMIT	OMIT	10.875	7	6	120 LBS.
CLB-305-18	18.0	19.0	17.62	16.75	16.25	15.75	OMIT	8.375	11.875	7	7	120 LBS.
CLB-305-19	19.0	20.0	18.62	17.75	17.25	16.75	OMIT	8.875	12.875	7	7	115 LBS.
CLB-305-20	20.0	21.0	19.62	18.75	18.25	17.75	14.375	9.375	13.875	7	8	110 LBS.
CLB-305-21	21.0	22.0	20.62	19.75	19.25	18.75	15.375	9.875	14.875	7	8	105 LBS.
CLB-305-22	22.0	23.0	21.62	20.75	20.25	19.75	16.375	10.375	15.875	7	8	100 LBS.
CLB-305-23	23.0	24.0	22.62	21.75	21.25	20.75	17.375	10.875	16.875	7	8	100 LBS.
CLB-305-24	24.0	25.0	23.62	22.75	22.25	21.75	18.375	11.375	17.875	7	8	95 LBS.
CLB-305-25	25.0	26.0	24.62	23.75	23.25	22.75	19.375	11.875	18.875	7	8	90 LBS.
CLB-305-26	26.0	27.0	25.62	24.75	24.25	23.75	20.375	12.375	19.875	7	8	90 LBS.
CLB-305-27	27.0	28.0	26.62	25.75	25.25	24.75	21.375	12.875	20.875	7	8	85 LBS.
CLB-305-28	28.0	29.0	27.62	26.75	26.25	25.75	22.375	13.375	21.875	7	8	80 LBS.
CLB-305-29	29.0	30.0	28.62	27.75	27.25	26.75	23.375	13.875	22.875	7	8	80 LBS.
CLB-305-30	30.0	31.0	29.62	28.75	28.25	27.75	24.375	14.375	23.875	7	8	75 LBS.

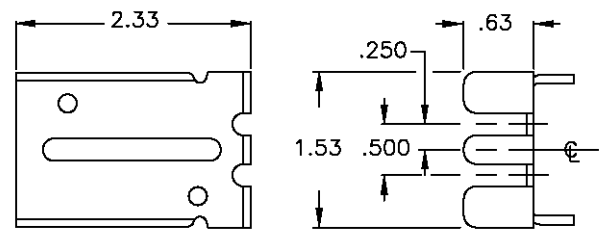
# Ball Bearing Slide Mounting Brackets

Matrix For Ball Bearing Slides & Appropriate Cabinet Mounting Brackets with Maximum Extension												
	CM1/Ext.	CM2/Ext.	CM3/Ext.	CM4/Ext.	CM5/Ext.	CM6/Ext.	CM7/Ext.	CM8/Ext.	CM9/Ext.	CM11/Ext.	CM12/Ext.	CM14/Ext.
LBS-11	●/1.00	●/1.00	●/3.16	●/6.16	●/1.00	●/2.40						●/6.16
LBS-12	●/1.00	●/1.00	●/3.16	●/6.16	●/1.00	●/2.40						●/6.16
LBS-O	●/1.00	●/1.00	●/3.16	●/6.16	●/1.00	●/2.40						●/6.16
LBS-21									●/1.45			
LBS-22									●/1.45			
LBS-32											●/1.45	
CLB-203	●/1.36	●/1.36	●/3.53	●/6.53	●/1.36	●/2.77						●/6.16
CLB-223										●/1.19		
CLB-305							●/1.77	●/1.77				
CLB-307	●/1.36	●/1.36	●/3.53	●/6.53	●/1.36	●/2.77						●/6.16
CLB-315	●/1.00	●/1.00	●/3.16	●/6.16	●/1.00	●/2.40						●/6.16

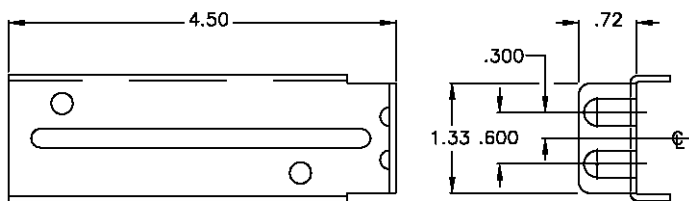
## CM 1



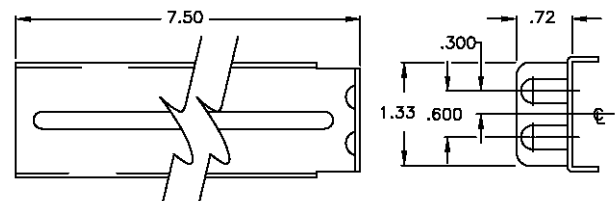
## CM 2



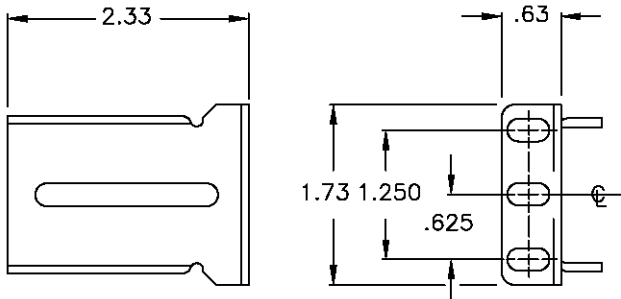
## CM 3



## CM 4

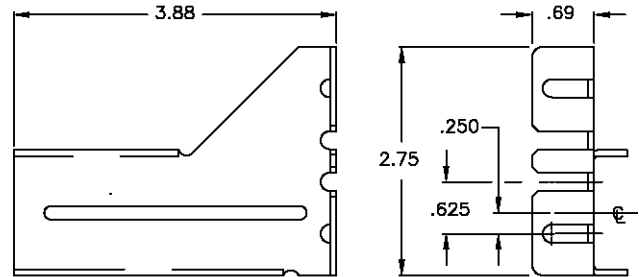


## CM 5

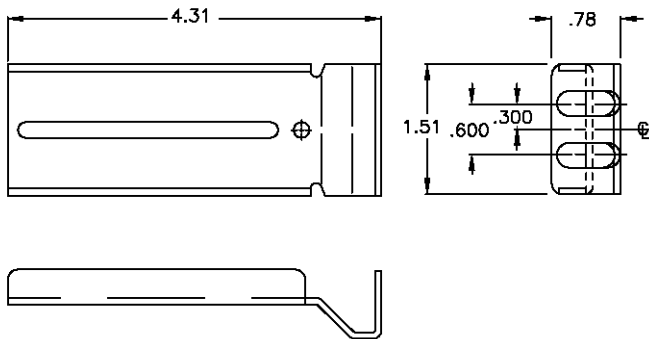


## CM 6

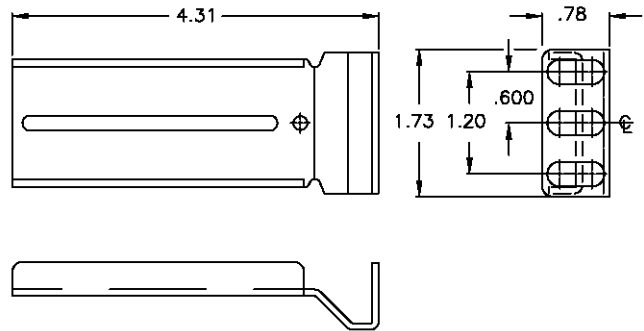
SUPPLIED IN PAIRS (RIGHT HAND AND LEFT HAND)



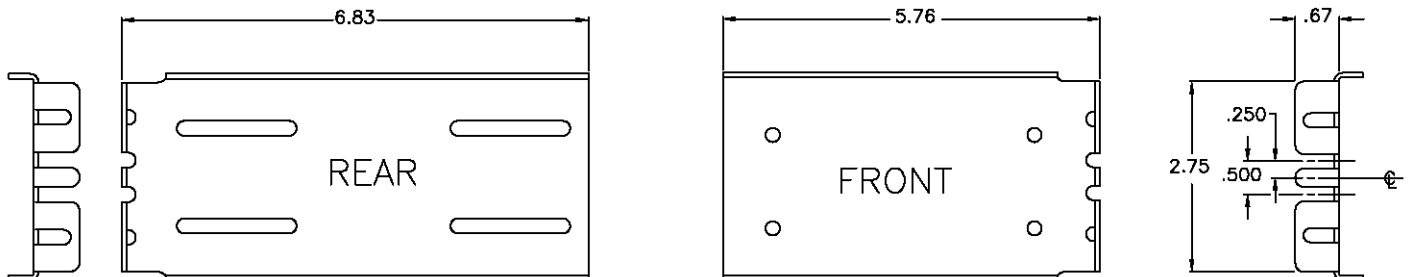
## CM 7



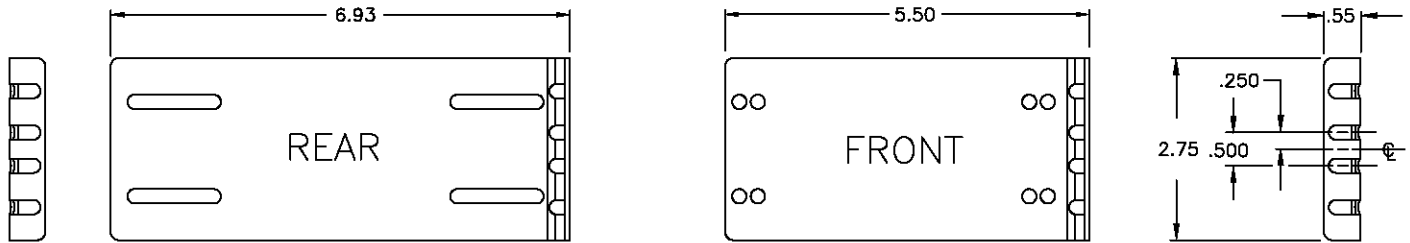
## CM 8



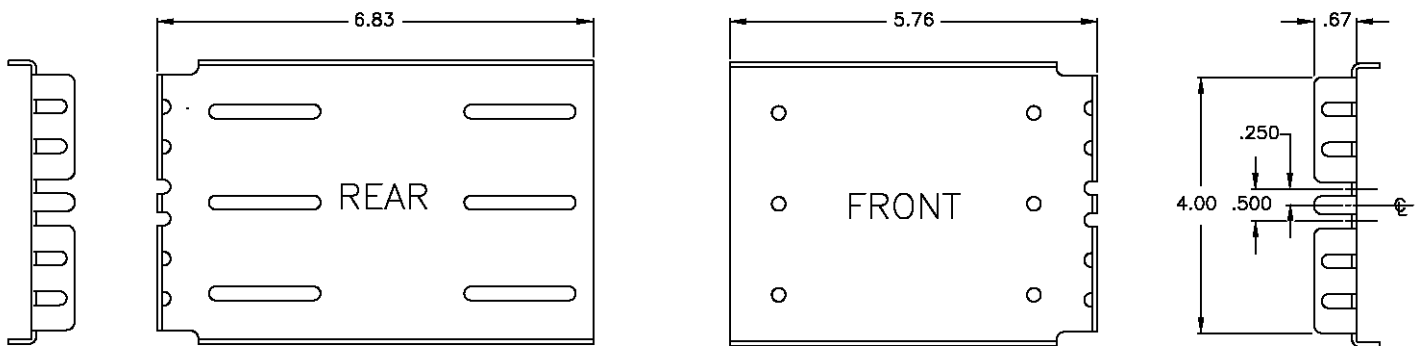
## CM 9



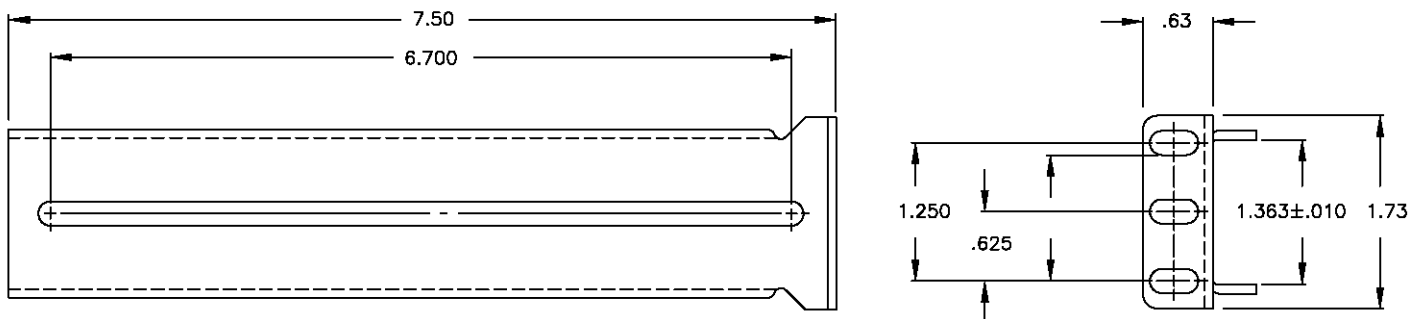
## CM 11



## CM 12



## CM 14



- A CM14 bracket kit consists of two CM5 brackets for the front of the slide and two CM14 brackets for adjustable mounting at the rear of the slide.

## X-ON Electronics

Largest Supplier of Electrical and Electronic Components

*Click to view similar products for [Other Tools](#) category:*

*Click to view products by [General Devices](#) manufacturer:*

Other Similar products are found below :

[CR-05FL7--150R](#) [CR-05FL7--698K](#) [899-2-KT46](#) [899-5-KT46](#) [CR-0AFL4--332K](#) [CR-12FP4--260R](#) [5718X-01PD-19RO](#)  
[CRCW04021100FRT7](#) [CRCW04021961FRT7](#) [5800-0090](#) [CRCW04024021FRT7](#) [CRCW040254R9FRT7](#) [CRCW0603102JRT5](#) [59065-5](#) [00-8273-RDPP](#) [00-8729-WHPP](#) [593033](#) [593058](#) [593072](#) [593564100](#) [593575](#) [593591](#) [593593](#) [LTLA506SBLAMNBL](#) [CRCW08052740FRT1](#)  
[LUC-012S070DSM](#) [LUC-018S070DSP](#) [599-2021-3-NME](#) [599-JJ-2021-03](#) [00-5080-YWPP](#) [5E4750/01-20R0-T/R](#) [LW1A-L1-GD](#) [LW1A-L1-GL](#) [LW1A-P1-GD](#) [LW1L-A1C10V-GL](#) [LW1L-M1C70-A](#) [0202-0173](#) [00-9089-RDPP](#) [CRCW2010331JR02](#) [01-1003W-8/32-10](#) [601-GP-08-KT39](#) [601-JJ-06](#) [601-SPB](#) [601YSY](#) [602-JJ-03](#) [602SPB](#) [602Z](#) [603-JJ-07-FP](#) [603-JJY-04](#) [604J](#)