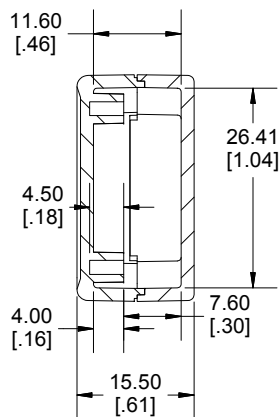
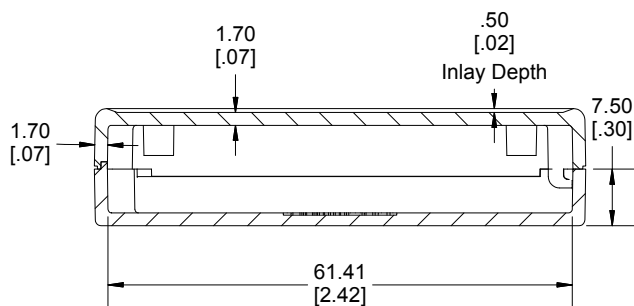
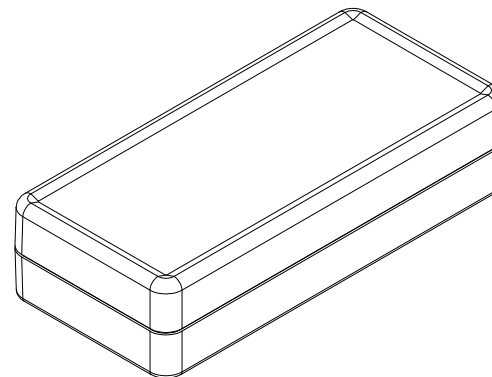


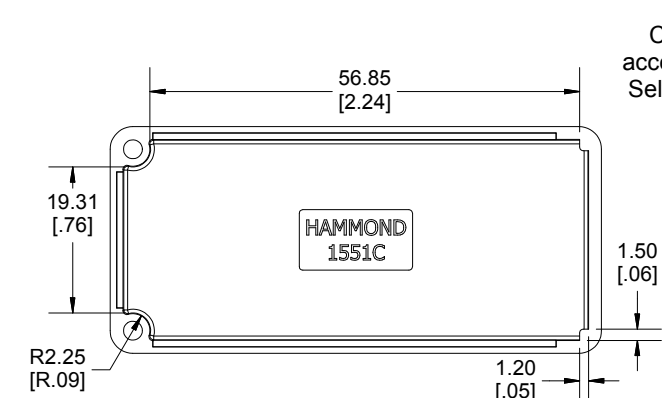
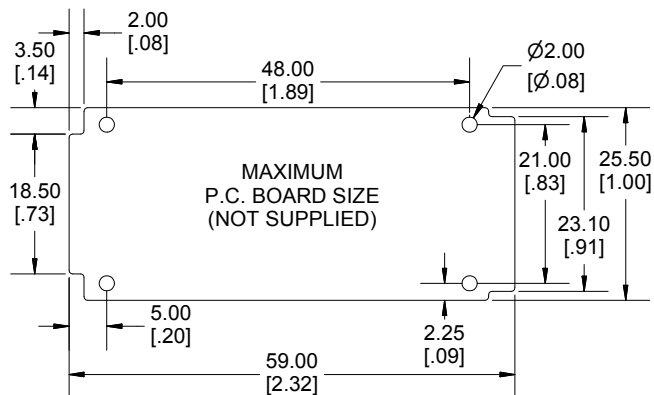
**TOP VIEW**



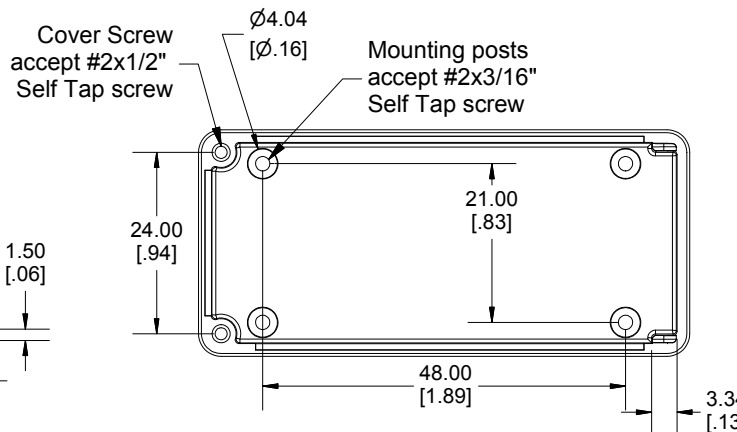
**SECTION A-A**



**SECTION B-B**



**INSIDE BOTTOM**



**INSIDE TOP**

Enclosures can be Factory Modified ( Milling, Drilling, Printing etc.)  
 Contact Factory [mjm@hammondmfg.com](mailto:mjm@hammondmfg.com) for quotes  
 Solid models of this enclosure available in STEP or IGES.  
 (Part number and text placement/orientation on our products are subject to change,  
 we do not recommend using them as a locating reference for modification purposes)

<b>NOTE</b>	
Purchased assembly includes box, lid, 2 cover screws.	
Enclosure molded from general purpose ABS Plastic.	
Other materials / colours available consult factory.	
<b>Recommended Torque : (35-43) Ozf.in / (25-30) cN.m</b>	

<b>PART NUMBERS</b>	
<b>1551C Enclosure</b>	
Black Enclosure - Ral 9011 - UL94 - HB	1551CBK
Gray Enclosure - RAL 7035 - UL94 - HB	1551CGY
Translucent Blue - UL94 - HB	1551CTBU
Translucent Clear - UL94 - HB	1551CCLR
Translucent Smoke - UL94 - HB	1551CTSK
Translucent Red - UL94 - HB	1551CTRD
<b>ACCESSORIES</b>	
P.C. Board Plastite Self Tapping Screw [#2 x 3/16" self-tapping (4.8mm)]	1553WTS100 (Pkg 100)
Black Cover Screws #2 X 1/2" Self-tapping	1551USB50BK (Pkg 50)
P.C. Board Screws [#2 x 3/16" self-tapping (4.8mm)]	1551ATS50 (Pkg 50) 1551ATS100 (Pkg 100)

**HAMMOND  
MANUFACTURING®**

**1551C**

[www.hammondmfg.com](http://www.hammondmfg.com)

**Dimensions:**  
 mm  
 [inches]

## **X-ON Electronics**

Largest Supplier of Electrical and Electronic Components

*Click to view similar products for [Eddystone manufacturer](#):*

Other Similar products are found below :

[70011](#) [11130PDLA](#) [26357PSLA](#) [11130PSLA](#) [11451PSLA](#) [10758PSLA](#) [26827PSLA](#) [29830PSLA](#) [26908PSLA](#) [27134PSLA](#)