

FT150 SPRING RETURN CABLE REEL



Small, lightweight reel suitable for small workshops, garages etc.

Entry level retractable reel capable of bringing power to any application in a safe and efficient manner. It is a sturdy, all thermoplastic design made from high-quality materials, electrically insulated and corrosion resistant.



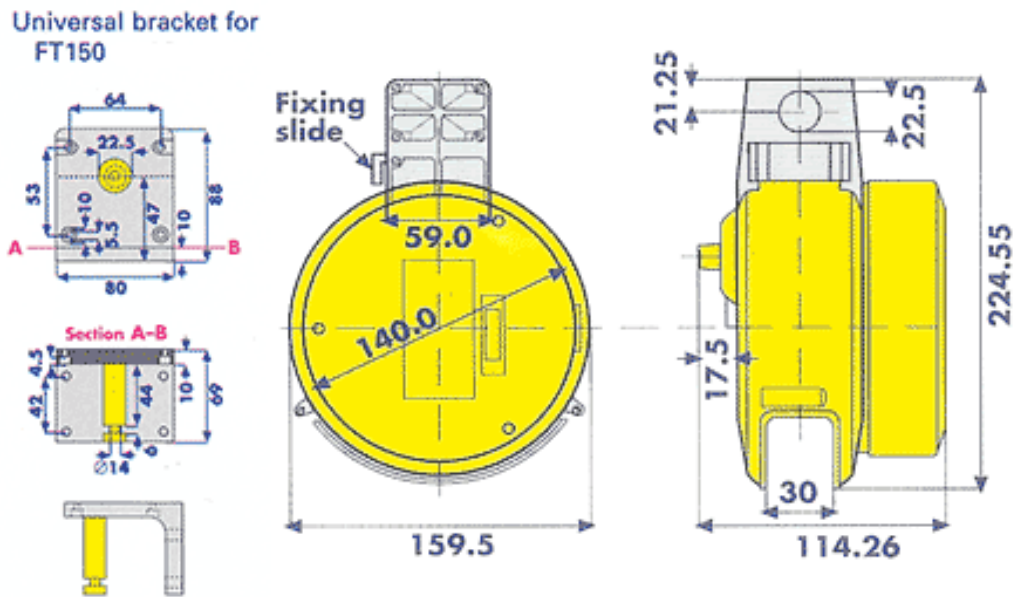
Depending on requirements, the desired length of cable is unwound; the remaining cable is neatly stored on the reel - safe from dirt and damage. When the cable connection is no longer required, a short pull on the stopper and the cable neatly rewinds. A spring return cable reel means a safe and organized workplace.

Features:

- Adjustable ball stop
- Ratchet on/off facility
- Fused terminal block
- 0.8mOhm contact resistance
- Universal mounting bracket
- IP20 protection
- High quality brass slip ring with silver contacts

Supplied with 4 metres of oil resistant H05VV-F3 1.00mm cable capable of operating temperatures of +5°C to +60°C.

Dimensions FT150



Specifications FT150

- **Model:** FT150.0304
- **Cable Length & Size:** 4m 3x1.0mm²
- **Max Load Wound & Unwound:** 4A / 10A
- **Weight:** 1.3kg
- **Part No:** 428438

For any further information please contact:

Cablecaddy Ltd
Unit 2 Crystal Business Centre
Sandwich
Kent
CT13 9QX
United Kingdom
Tel: 01304 612957 Fax: 01304 621111
Email: info@cablecaddy.co.uk

<http://www.marcaddy.com>

X-ON Electronics

Largest Supplier of Electrical and Electronic Components

Click to view similar products for [MARCADDY](#) manufacturer:

Other Similar products are found below :

[428523](#) [400001](#) [400007CC](#) [613001](#) [428515](#) [428519](#)