

FT350 SPRING RETURN CABLE REEL



**Robust, medium sized reel,
ideal for industry,
production bays, garages
etc.**

The FT350 brings power to any application in a safe and efficient manner. It is a sturdy, all thermoplastic design made from high-quality materials, electrically insulated and corrosion resistant.



Depending on requirements, the desired length of cable is unwound; the remaining cable is neatly stored on the reel - safe from dirt and damage. When the cable connection is no longer required, a short pull on the stopper and the cable neatly rewinds. A spring return cable reel means a safe and organized workplace.

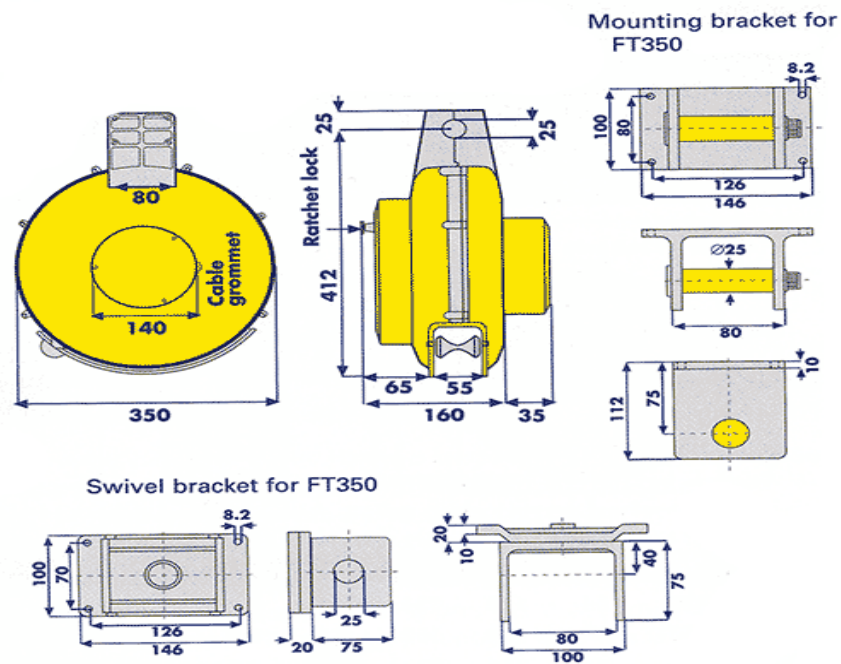
Features:

- Adjustable ball stop
- Ratchet on/off facility
- Fused terminal block
- 0.8mOhm contact resistance
- IP40 protection
- Heavy duty brass slip ring with silver contacts

Supplied with a variety of lengths, sizes and types of cable, with an operating temperature range of +5°C to +60°C.

See specifications for full range.

Dimensions: FT350



Specifications: FT350

Model	Cable Length, Cores & Size	Max Load		Weight	Part No
		Wound	Unwound		
FT350.0315	15m 3 x 1.5mm ²	8A	10A*		401001
FT350.0510	10m 5 x 1.5mm ²	6A	10A*		401002
FT350.0110	15m 1 x 10mm ²	-	-		401003
FT350.0410	10m 4 x 1.5mm ²	6A	10A*		401004
FT350.0310.16A 240V	10m 3 x 2.5mm ²	10A	16A**		401005
FT350.0310.32A 240V	10m 3 x 4.0mm ²	16A	32A**		401006
FT350.0310.16A 110V	10m 3 x 2.5mm ²	10A	16A**		401007
FT350.0310.16A 2110V	10m 3 x 4.0mm ²	16A	32A**		401008
Ceiling Swivel Bracket				0.5kg	401100
* This may be increased to 16A if fused terminal block is replaced with standard block and cable is suitably protected					
** No internal fused terminal block cable must be suitably protected					

X-ON Electronics

Largest Supplier of Electrical and Electronic Components

Click to view similar products for [MARCADDY](#) manufacturer:

Other Similar products are found below :

[428523](#) [400001](#) [400007CC](#) [613001](#) [428515](#) [428519](#)