

SP266 HAND WOUND CABLE REEL

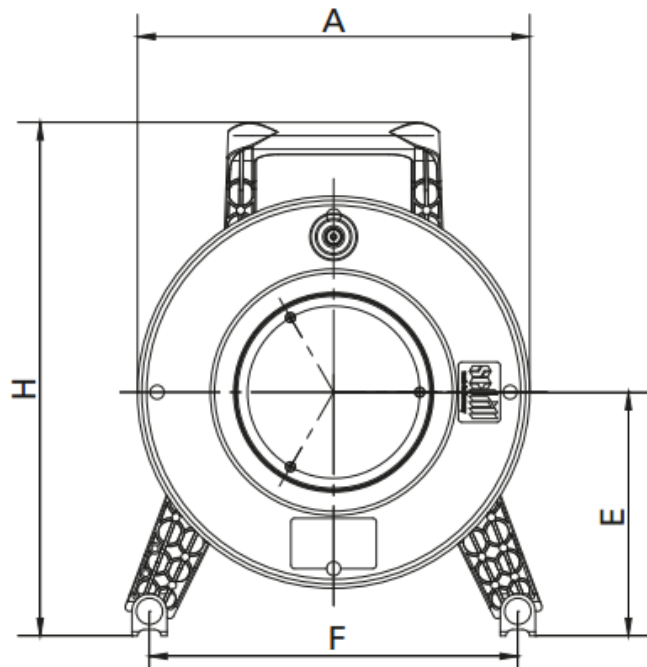
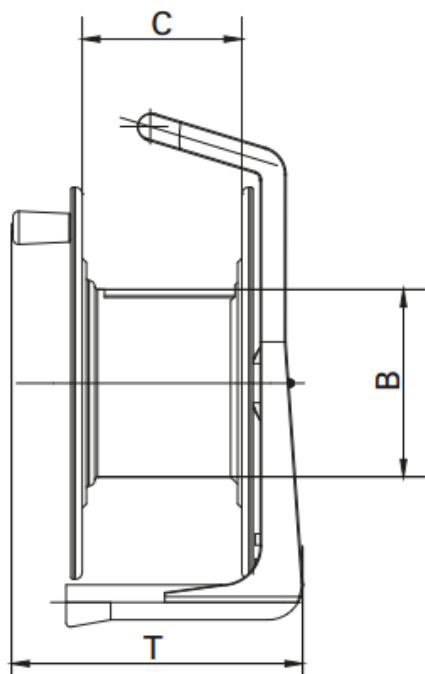


Part number. 428503

Weight: 1.30kg

Max/Min Operating Temperature: -20°C to +60°C

Measures in mm / inch A: 280 / 11,02 B: 134 / 5,28 C: 114 / 4,49 E: 174 / 6,85 F: 263 / 10,35 H: 367 / 14,45 T: 208 / 8,19



Please note - this reel has no sockets as standard.

X-ON Electronics

Largest Supplier of Electrical and Electronic Components

Click to view similar products for [MARCADDY](#) manufacturer:

Other Similar products are found below :

[428523](#) [400001](#) [400007CC](#) [613001](#) [428515](#) [428519](#)