



HDMI Cable Extender Model #33-11640



Table of Contents

1.0 Introduction.....	1
2.0 Specifications.....	2
3.0 Package Contents.....	3
4.0 Panel Descriptions.....	3
5.0 Connection and operation.....	3

Distributed Exclusively by
MCM Electronics
www.mcmelectronics.com

HDMI Extender (by cat-5e/6 cable)

Model 33-11640

Dear customer

Thank you for purchasing this product. For optimum performance and safety, please read these instructions carefully before connecting, operating or adjusting this product. Please keep this manual for future reference.

1.0 INTRODUCTION

This CAT-5e/6 HDMI Extender uses two pieces UTP cable, with cross strand inside, to extend 1080p HDTV display up to 30 meters. It not only solves the limitation of the HDMI cable transmission length, but also provides the added flexibility that CAT-5e/6 offers during installation.

Both the sender and receiver are equipped with fixed HDMI cable that allows consumers reduce installation cost and time. It is capable of supporting DVI (digital visual interface) equipment when used with an HDMI to DVI Adapter, providing greater flexibility and options when integrating several home theater components.

This product offers solutions for residential consumers: HDTV retail and show site, HDTV, DVD and Projector factories, noise, space and security concerns, data center control, information distribution, conference room presentation, school and corporate training environments.

1.1 BENEFITS

- 1) The length of HDMI cable is fixed and unchangeable after it is produced. Currently, there is no practical method of HDMI connector field termination. However CAT-5e/6 cables are commonly available in a variety of lengths and are easily terminated by the installer.
- 2) Because HDMI connectors are large, and the cable delicate and difficult to bend, it is difficult to pull through finished walls during installation. Cat-5e/6 cable is much easier to manage.
- 3) Using this Extender together with UTP cable with cross strand inside, the maximum transmission distance 30 meters for 1080p. For the typical HDMI cables, problems can arise at only 10 meters.

1.2 FEATURES

This HDMI Extender has many features that enable it to perform in a superior manner. Among those features you will find:

- I Complete set is plug-and-play. No setup or adjustment needed.
- I Considerably longer transmission distance may be achieved.
- I Follows IEEE-568B standard.
- I Compact size.
- I Supports HDMI1.2a.
- I Supports highest video resolution 1080p.
- I Supports 165MHz/1.65Gbps per channel (4.95Gbps all channel) bandwidth.
- I Supports 8bit per channel (24bit all channel) deep color.
- I HDCP pass-through.
- I Supports uncompressed audio such as LPCM
- I Supports compressed audio such as DTS Digital, Dolby Digital (including DTS-HD and Dolby True HD)

2.0 SPECIFICATIONS

Signal Inputs/Output	
Input Video Signal	0.5 -1.0 volts p-p
Input DDC Signal	5 volts p-p (TTL)
Maximum Single Link Range	1920X1080p
Output Video	HDMI 1.2a
Operating Frequency	
Vertical Frequency Range	50/60Hz
Video Amplifier Bandwidth	1.65Gbps/165MHz
Transmission distance	
UTP cable with cross strand inside	30M for1080p
Resolution (HDTV)	
Interlaced (50&60Hz)	480i,576i,1080i
Progressive (50&60Hz)	480p,576p,720p,1080p
Warranty	
Limited Warranty	1 Year Parts and Labor
Environmental	
Operating Temperature	0 to +70°C
Operating Humidity	10% to 85 % RH (no condensation)
Storage Temperature	-10°C to +80°C
Storage Humidity	5% to 95 % RH (no condensation)
Power Requirements	
Power Supply	Provided by source device via HDMI cable
Power consumption (Max)	5W
Regulatory Approvals	FCC, CE, UL

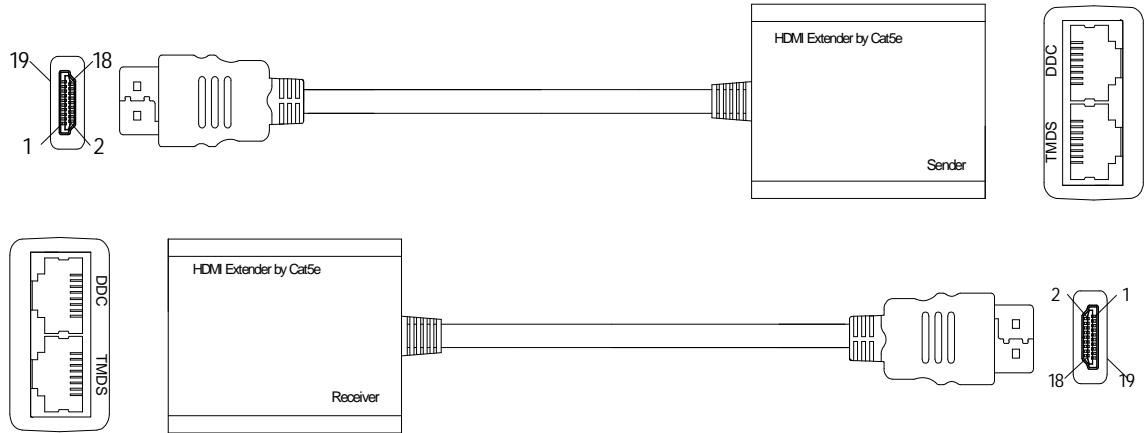
Note: In order to achieve the high transmission quality, please choose the UTP cable with cross strand.

3.0 PACKAGE CONTENTS

Before attempting to use this unit, please check the packaging and make sure the following items are included:

- 1) Main unit NO. 1 Sender
- 2) Main unit NO. 2 Receiver
- 3) User's Manual

4.0 PANEL DESCRIPTIONS

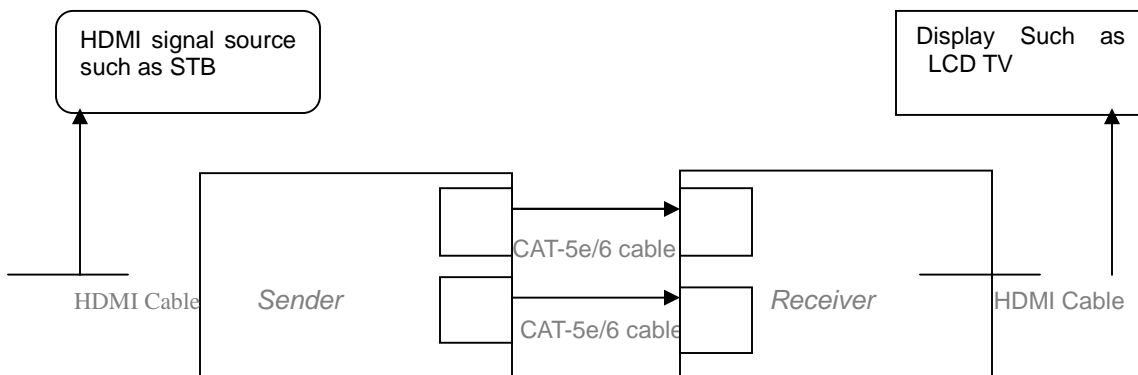


5.0 Connection and Operation

- 1) Plug the fixed HDMI cable of the sender into the HDMI input source such as: HD-DVD, gaming system, digital cable box or satellite receiver.
- 2) Connect two CAT-5e/6 cables to both the output of the transmitter and input of the receiver.
- 3) Plug the fixed HDMI cable of the receiver into the HDMI display or projector.

Attention: Insert / Extract cable gently.

5.1 CONNECTION DIAGRAM



X-ON Electronics

Largest Supplier of Electrical and Electronic Components

Click to view similar products for [STELLAR LABS](#) manufacturer:

Other Similar products are found below :

[24-15099](#) [24-16210](#) [24-16211](#) [24-10220](#) [JR8306A-3M](#) [555-13890](#) [83-9962](#) [24-15450](#) [24-15453](#) [24-16053](#) [24-16063](#) [24-16135](#) [24-16147](#)
[24-15452](#) [24-15455](#) [24-15942](#) [24-15984](#) [24-15989](#) [24-16012](#) [24-16049](#) [24-833](#) [24-1810](#) [83-16411](#) [10DV-07203-R](#) [24-15411](#) [24-15435](#) [24-15456](#) [24-15396](#) [24-15061](#) [24-15053](#) [24-15085](#) [24-15158](#) [24-15951](#) [24-15959](#) [24-16041](#) [24-16058](#) [24-16145](#) [24-1850](#) [24-1830](#) [24-1855](#)
[83-12261](#) [24-12307](#) [24-15418](#) [33-10915](#) [24-10271](#) [24-15413](#) [24-15417](#) [24-15433](#) [24-15439](#) [24-15393](#)