

This completes the assembly steps of this stand.

As noted earlier, it is the ultimate responsibility of the user to ensure safe and secure installation of any television on this stand. There is no guarantee that every television, even if within the size and weight limits specified, will be secure in every situation.

Once installation is complete, the user must make certain the television set is secure. Failure to do so could result in property damage, electrical or fire hazard and personal injury or death, should the television fall. Pro Signal, MCM Electronics and all retail dealers providing this product cannot be held liable for damages that result from improper or insecure installation.

Things to remember:

Furniture including tables, dressers, entertainment centers and shelves must be tested to ensure stability

Televisions should be installed out of reach of small children or pets that could potentially pull or knock a set from its location

Connecting cables, including power cords, cable, antenna or satellite TV wires, cables from other components, indoor antennas and similar items should be secured and tucked out of the way to prevent being snagged or tripped over

Televisions should not be located in direct sunlight or in locations where they can come in contact with rain or moisture.

In the event the user is not confident in the safety of this installation it is highly recommended that a qualified installation professional be contacted.

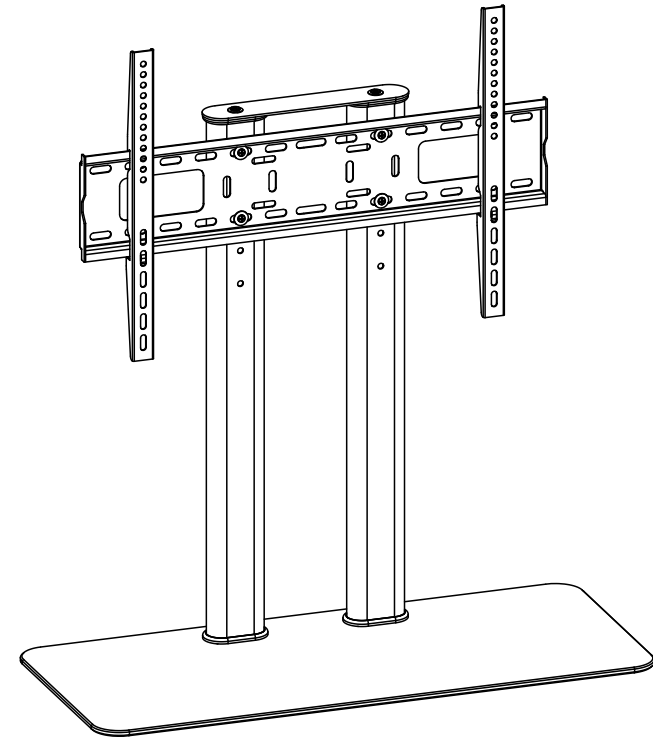
Warranty

This device is warranted against manufactures defects for a period of 1 year from the original date of purchase. This warranty covers all internal components and the cost of labor to either repair or replace the unit. This warranty covers only the unit, and does not cover connected equipment, or any loss that may occur, regardless of cause. It will be the sole discretion of MCM Electronics to determine the applicability of said warranty, and determination as to whether the unit will be repaired or replaced. Questions regarding application, use, or problems with this unit should be directed to MCM Electronics Tech Support, which can be found at www.mcmelectronics.com.

PRO-SIGNAL

Model 50-14797

ASSEMBLY INSTRUCTIONS



TV STANDS

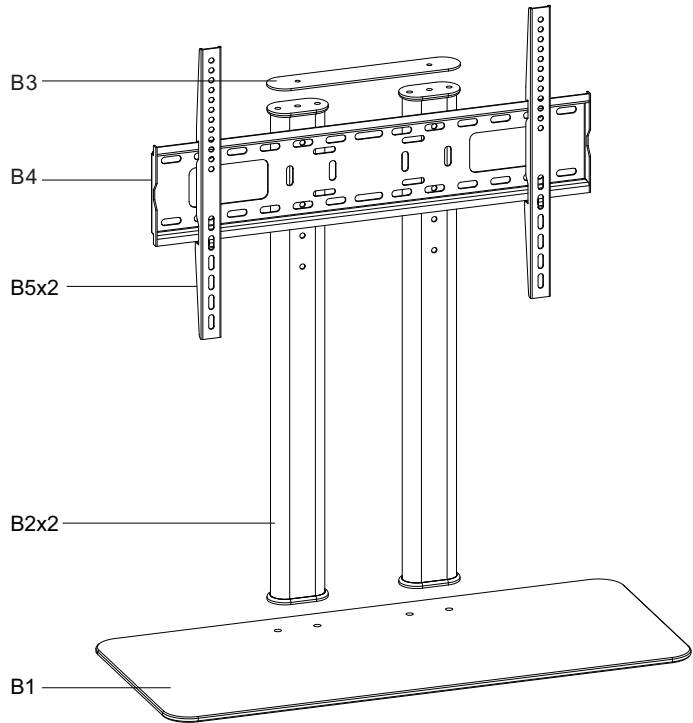


CAUTION: DO NOT EXCEED RATED LISTED WEIGHT CAPACITY. SERIOUS INJURY OR PROPERTY DAMAGE MAY OCCUR!



75x75/100x100
200x100/200x200
300x300/400x200
400x400/600x400






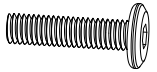
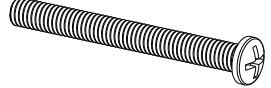
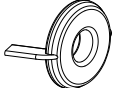



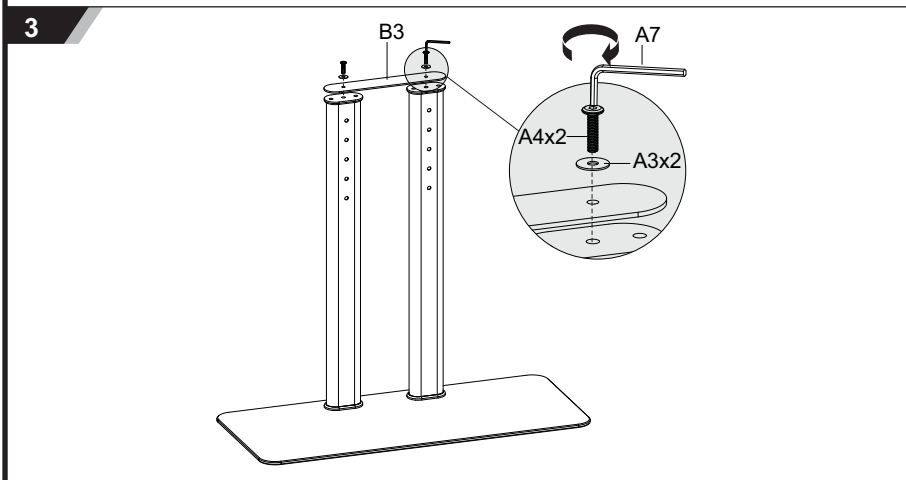
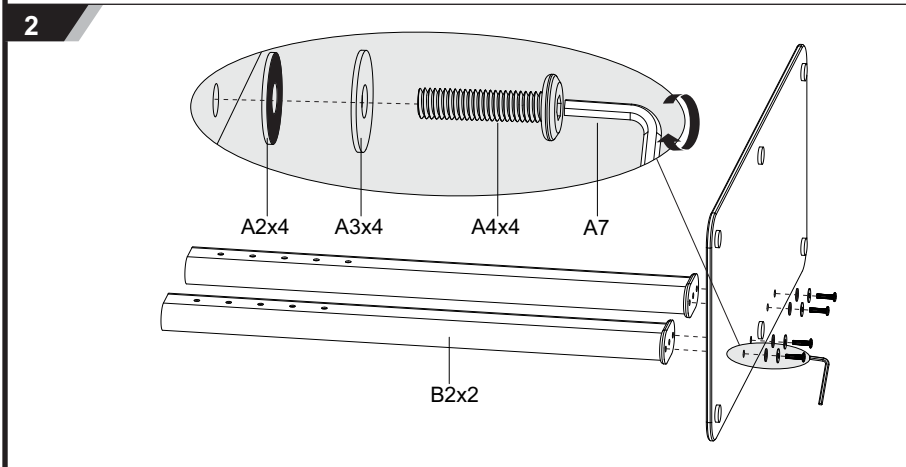
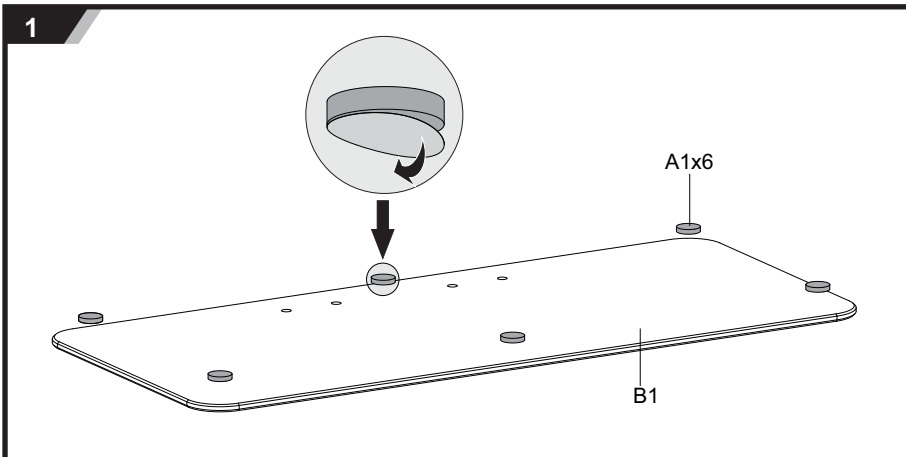
Identify and verify all of the included hardware

To begin, place the glass base (B1) on a flat surface with the shiny side facing upwards. It is best if this is located on a table, where the mounting holes are able to hang just over the side.

Locate the following parts:

- Glass Base (B1)
- Two rear pedestals (B2)
- Metal top plate (B3)
- Rear bracket plate (B4)
- Two vertical bars (B5)
- Six clear vinyl self adhesive feet
- Eight plastic washers (A2)
- 14 metal washers (A3)
- Six hex head screws (A4)
- Four philips head screws (A5)
- Four wing nuts (A6)
- Allen wrench (A7)

A1x6 	A2x8 	A3x14 
A4x6 	A5x4 	A6x4 
A7x1 		



Place the glass base on a table, glossy side facing downward.

Attach the self-adhesive feet, one near each corner, one each centered along of the front and rear edge, as shown.

Holding the base vertical, and laying the rear supports on the table, attach the rear supports to the base as shown, using (A2) plastic washers, (A3) metal washers and (A4) hex head screws. Make sure the (A2) washers are between the (A3) washers and the base.

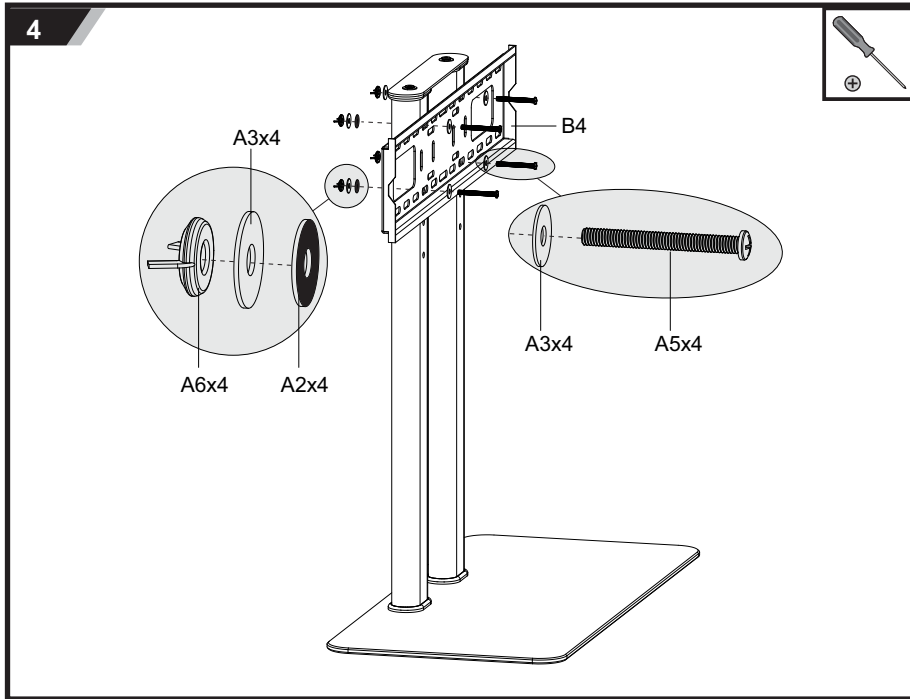
Be certain that the mounting holes on the rear supports (B2) are located at the top of the rail, as shown in illustration #2 and #3.

Tighten the hex head screws with the supplied (A7) Allen wrench. These should be quite snug but do not over-tighten, as damage to the base may occur.

As mentioned on the previous page, it may be easier to lay the glass base flat, with the holes over the edge of a desk, and the (B2) rear supports positioned vertically.

Once attached, position the rear supports upright, and attach the top mounting plate (B3) across the two (B2) rear supports

Using the (A4) screws and (A3) metal washers, attach the plate to the top of the (B2) supports as shown in illustration #3. It may be necessary to loosen the lower screws and tighten all four at the same time in order to ensure the rear supports are straight.



Determine the optimum height on the rear pedestal to attach the (B4) bracket. The best method to do this is to measure from the center of your television screen to the bottom most edge of the TV set. This will tell you the minimum clearance needed on this Universal Base.

The vertical center of the (B4) bracket must be at least 1" higher from the base than your measurement taken on your television. This will ensure you have enough clearance for proper ventilation. It is also important to consider any TV controls, connections or attached cables that may require clearance.

Locate four (A5) Philips head screws and four (A3) metal washers. Slide each washer onto the (A8) screw.

Attach the bracket (B4) to the rear pedestals by sliding the four (A5) screws through the appropriate holes. Make sure the bracket is horizontally centered.

The (A5) screws will protrude from the rear of the pedestal. Slide first a plastic washer (A2) then metal washer (A3) onto each of the screws. Then attach a wingnut (A6) to each of the screws and tighten until snug.

Locate the two television mounting brackets (B1).

These brackets attach to the rear mounting points on most VESA standard television sets. These are compatible with VESA sizes up to 600 x 400. Using the screws and washers provided, these will be attached to the rear of your television set. As all sets differ slightly, it is not possible to provide exact instruction in this document. If possible, you should refer to your television owner's manual for this.

Many different screw sizes are provided to accommodate most every television in the market. The critical issue is to choose screws that are the correct TPI (threads), diameter, and appropriate length.

Choosing a screw that is too short will cause the mount to not support the set.

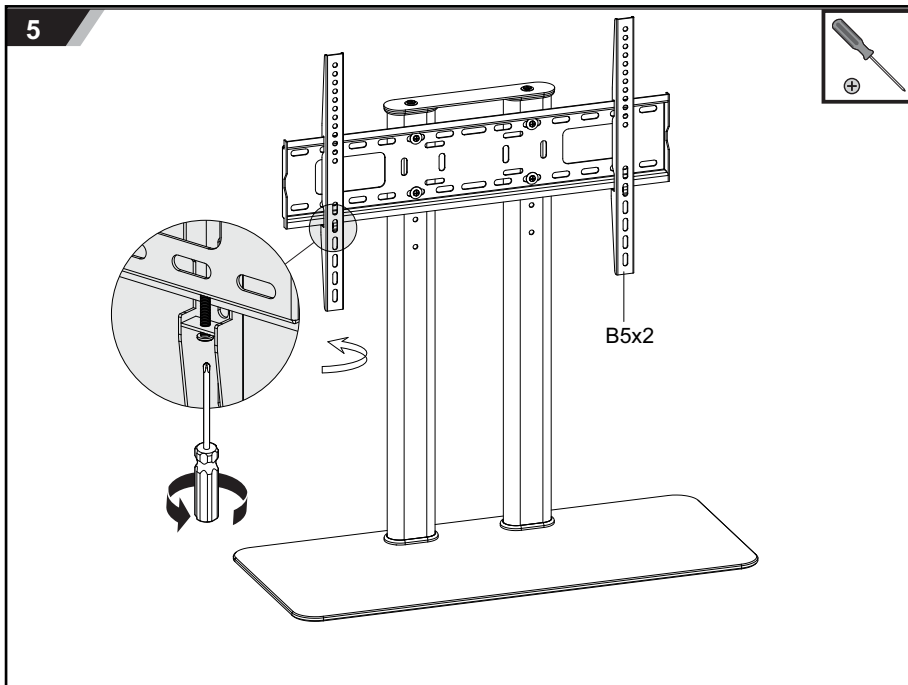
Choosing a screw that is too long may cause you to insert too far into the rear of your set, thus damaging internal components.

Attach the (B5) brackets to the rear of your set and be certain all screws are properly and securely inserted.

On the rear of the (B5) brackets, locate the attachment set screws facing downward. These secure the television to the assembled stand. Fully loosen these screws until they are just in their threaded holes.

It is now time to hang the television onto the base. This will require two people.

Hook the top of the (B5) bracket on to the assembled stand. The (B5) bracket will hang on the top lip of the horizontal bracket, with the set screws tightening against the bottom lip. Tighten the screws against the bottom lip and test the set to make sure it is secure.



X-ON Electronics

Largest Supplier of Electrical and Electronic Components

Click to view similar products for [Pro Signal](#) manufacturer:

Other Similar products are found below :

[ABS-210-135-RC](#) [KVM-404](#) [JR9502/5M](#) [JR8030/25M](#) [APFLY5](#) [MJ-2325](#) [ABM-713-RC](#) [PSG-BB-170W-2BP](#) [PSG01592](#) [PSG01540](#)
[PSG01522](#) [PS11169](#) [PS11067](#) [PS11360](#) [PS11155](#) [PS11153](#) [PS11026](#) [PSG03905](#) [ABI-052-RC](#) [PSG03109](#) [PSG03489](#) [JR9505/1M](#)
[JR8052/20M](#) [MP-012LN](#) [APFLY2](#) [SPC22887](#) [PSG90335](#) [PSG01495](#) [PS11386](#) [PS11185](#) [PS11453](#) [PS11172](#) [ABS-244-RC](#) [PS000101](#)
[SVC683-3M](#) [AV02562](#) [PSG02580](#) [PSG01516](#) [PS11028](#) [PS11170](#) [PS11156](#) [PS11060](#) [SPC23060](#) [PSG90864](#) [ABT-462-RC](#) [PS11092](#)
[JR9901/2M](#) [JR9755-10M](#) [BLACK CAB](#) [JR8052/7M](#) [CL62002X](#)