

### ⚠ Caution

This apparatus must be grounded. The supplied power cord provides necessary ground and should not be modified in any way. When connecting to AC power source Do not defeat this ground connection.

Do not apply power source before all equipment is installed and completely connected.

Always disconnect from power source before replacing the fuse.

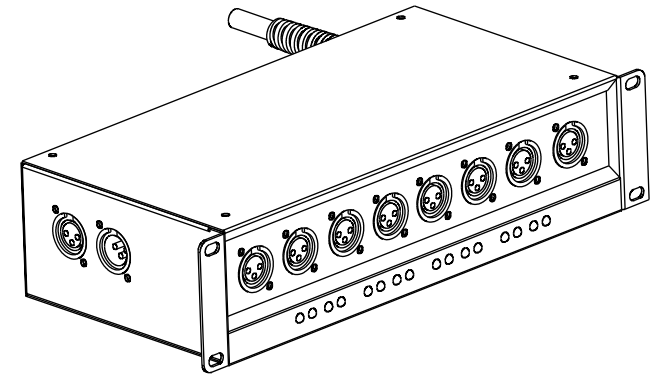
To reduce risk of fire or electric shock, do not expose this device to rain or excessive moisture.

There are no user servicable parts inside. Refer all service only to qualified service personnel.

**Stellar Labs®**  
www.mcmelectronics.com

## 1x8 DMX Splitter

Model #DMX-SPLIT8



## User Manual

Thank you for selecting the product. For safety reasons, please read this manual completely prior to operation. This manual provides useful safety and operation information and will ensure maximum benefit from this product.

### WARRANTY

This product is warranted for a period of ONE YEAR from the original date of purchase. This warranty is limited to the device and does not extend beyond the that. In the event that warranty service or replacment is required, please contact your Stellar Labs dealer.

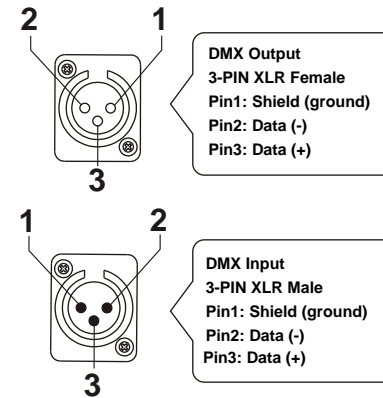
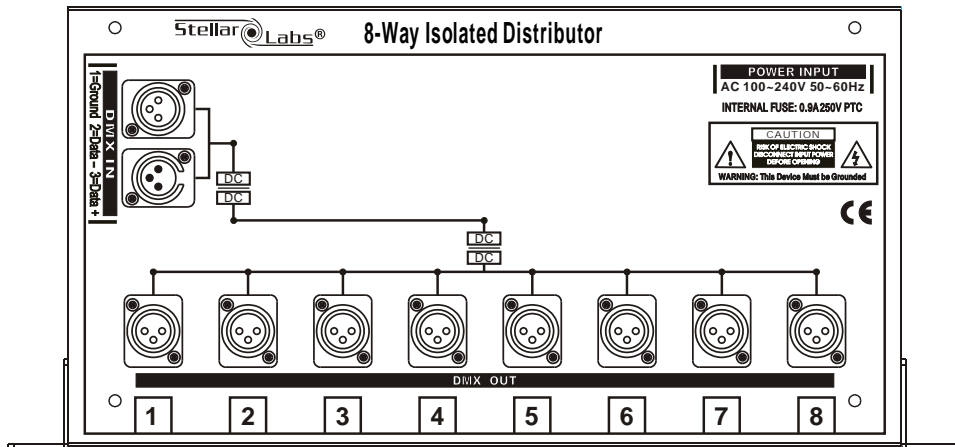
# DMX DISTRIBUTOR

Congratulations on your purchase of this high quality 1x8 DMX distribution amplifier. This unit features a single 3-Pin XLR-M DMX input, and eight XLR-F DMX outputs, each with independent drivers, providing full isolation from the input and other outputs. In the event that a fault occurs on one DMX output, the others will remain operational. Each output provides LED data indicators, providing full confirmation of proper operation. A feed through XLR-F connector is provided at the input, allowing this unit to be placed in the middle of an existing DMX chain, and up to eight DMX splitters may be used together for further expansion.

## 1. Specifications

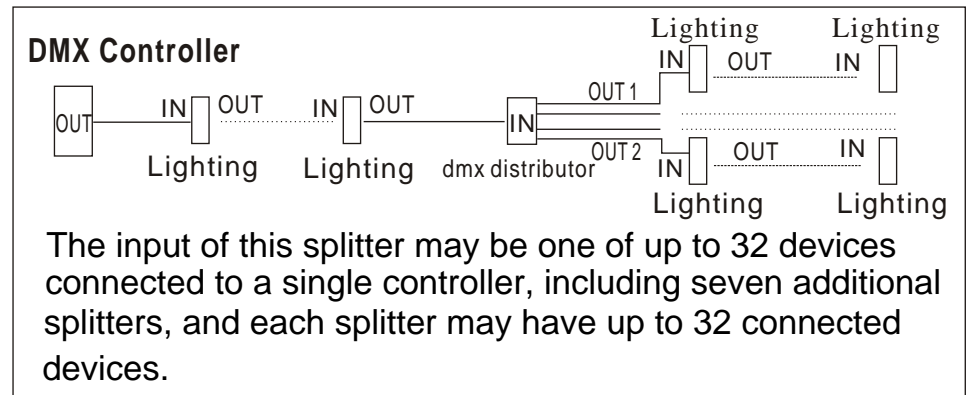
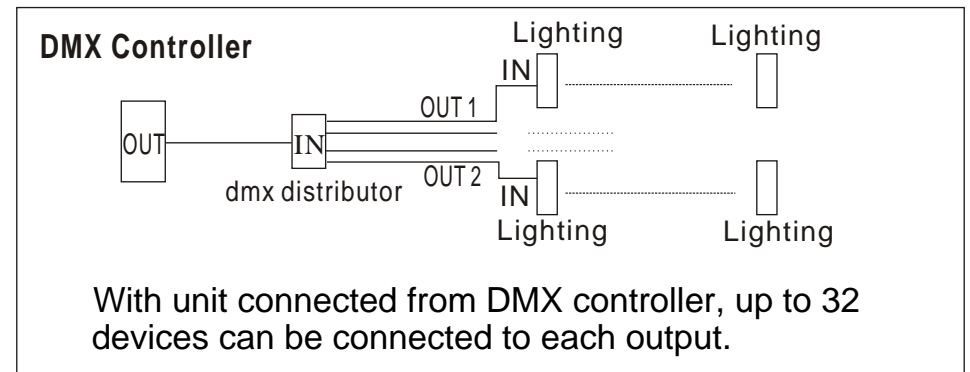
Power input ..... AC100V~240V /50~60Hz  
 Fuse(internal) ..... 0.9A 250V PTC  
 Dimensions ..... 317 x 150 x 75mm  
 Weight ..... 1.6 KG

## 2. Operating instruction and connection



Connector pin designation is as follows:  
 Pin1: Signal shield  
 Pin2: Data Invert (-) complement  
 Pin3: Data (+)

## Connection diagram:



## **X-ON Electronics**

Largest Supplier of Electrical and Electronic Components

*Click to view similar products for [STELLAR LABS](#) manufacturer:*

Other Similar products are found below :

[24-15099](#) [24-16210](#) [24-16211](#) [24-10220](#) [JR8306A-3M](#) [555-13890](#) [83-9962](#) [24-15450](#) [24-15453](#) [24-16053](#) [24-16063](#) [24-16135](#) [24-16147](#)  
[24-15452](#) [24-15455](#) [24-15942](#) [24-15984](#) [24-15989](#) [24-16012](#) [24-16049](#) [24-833](#) [24-1810](#) [83-16411](#) [10DV-07203-R](#) [24-15411](#) [24-15435](#) [24-15456](#) [24-15396](#) [24-15061](#) [24-15053](#) [24-15085](#) [24-15158](#) [24-15951](#) [24-15959](#) [24-16041](#) [24-16058](#) [24-16145](#) [24-1850](#) [24-1830](#) [24-1855](#)  
[83-12261](#) [24-12307](#) [24-15418](#) [33-10915](#) [24-10271](#) [24-15413](#) [24-15417](#) [24-15433](#) [24-15439](#) [24-15393](#)