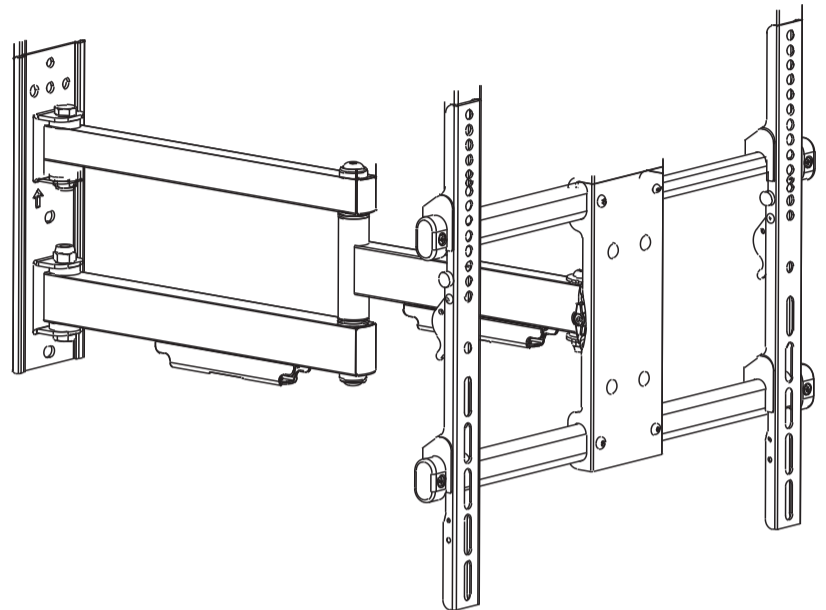


Full Motion LED,LCD TV Wall Mount

Warranty

This device is warranted against manufactures defects for a period of one year from the date of purchase from the dealer. This warranty extends solely to the repair or replacement of this product and does not cover additional costs, including but not limited to installation or removal of the product or any incidental or consequential damages, nor does it cover damage due to improper use, storage or application of this device. Should a service issue arise within the one year period, please contact the dealer in which this device was purchased. It will be the sole decision of Pro-Signal to repair or replace any device found to be defective during this period.



55-14455

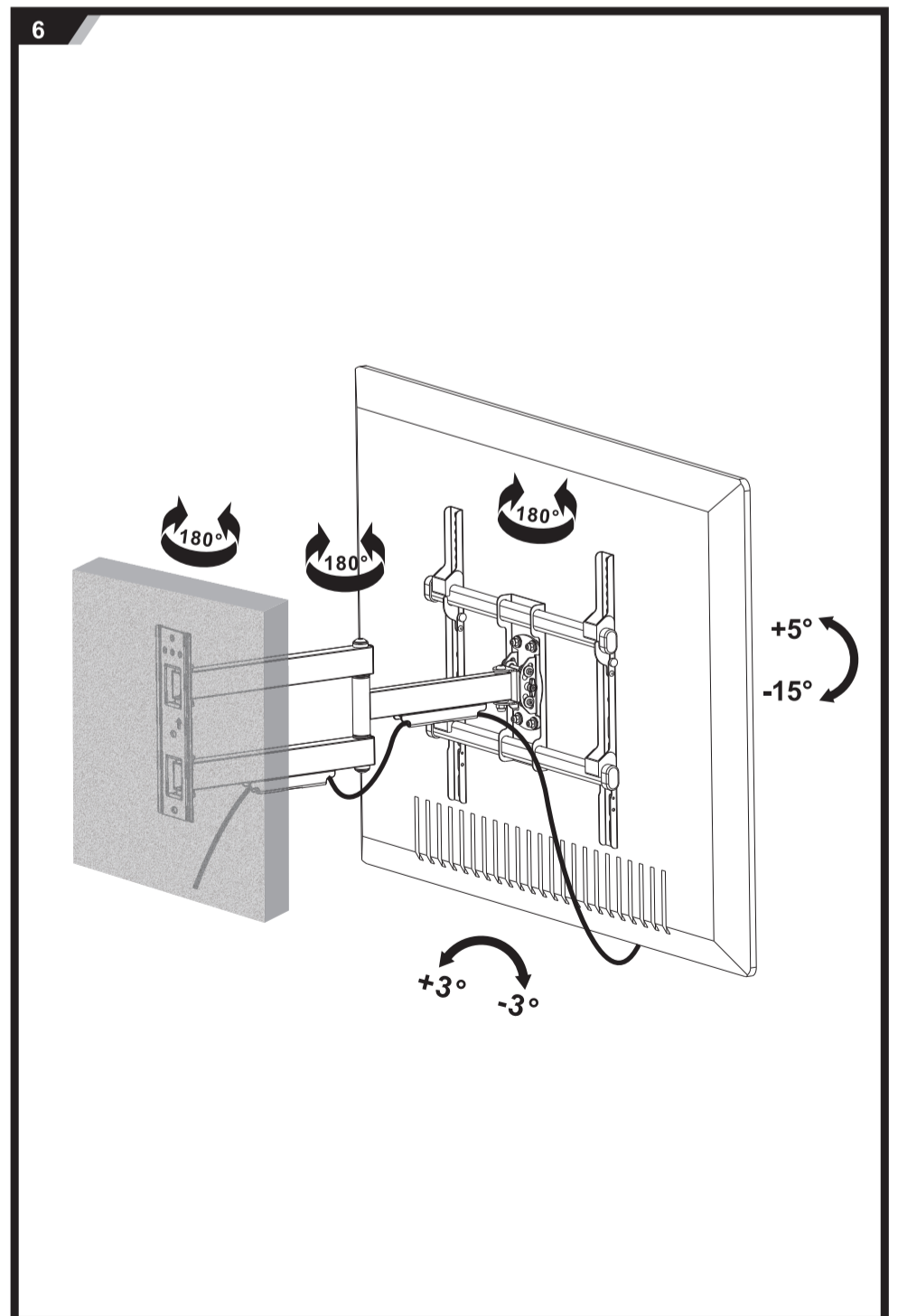
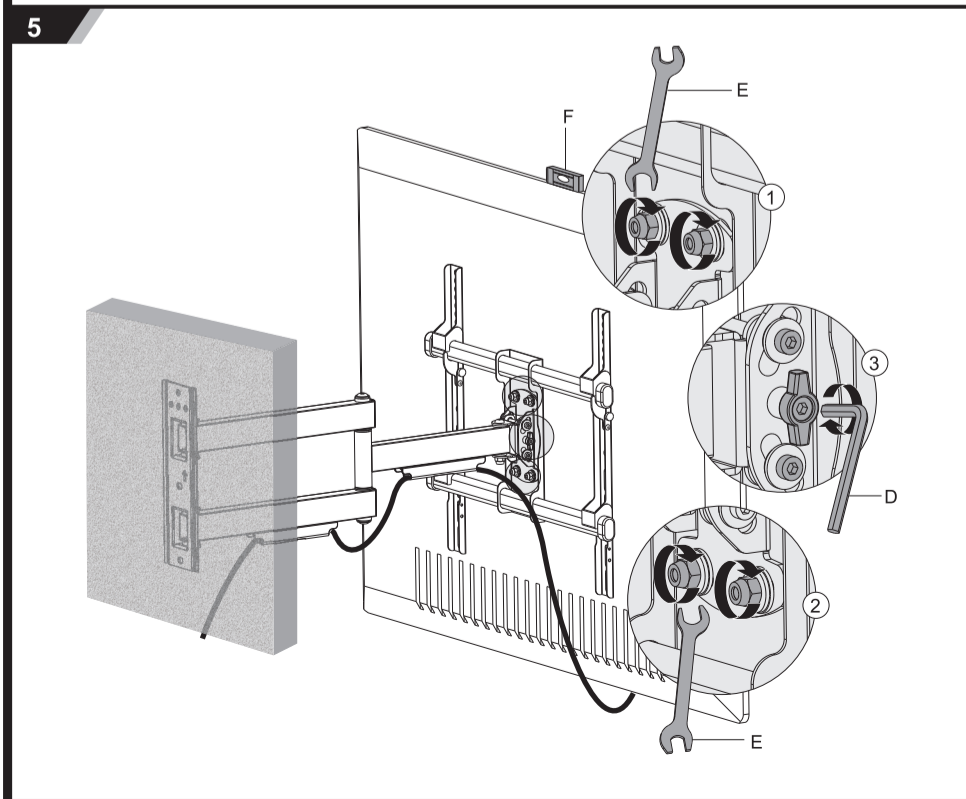
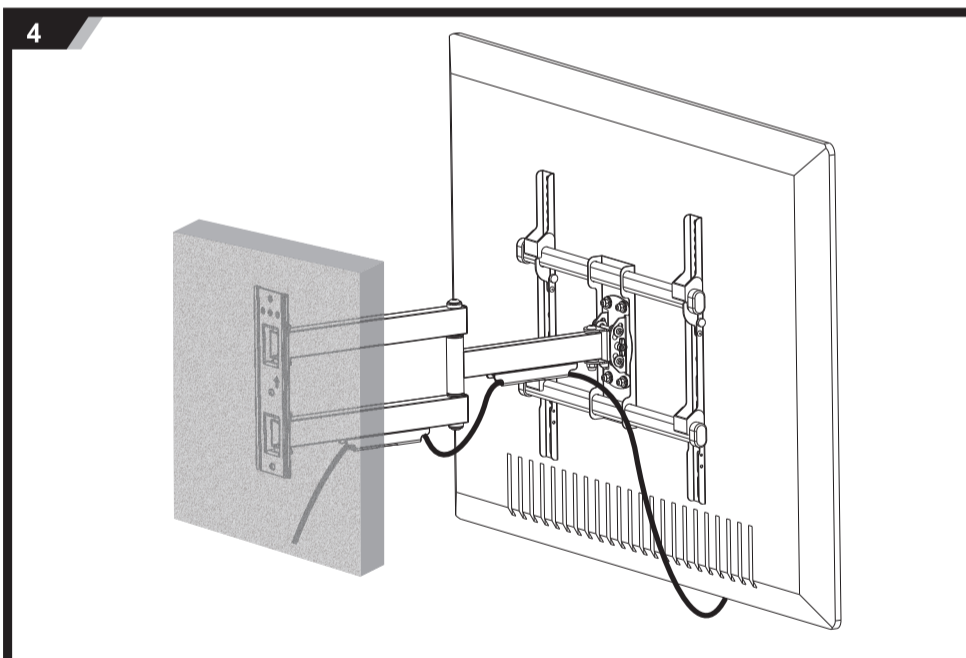


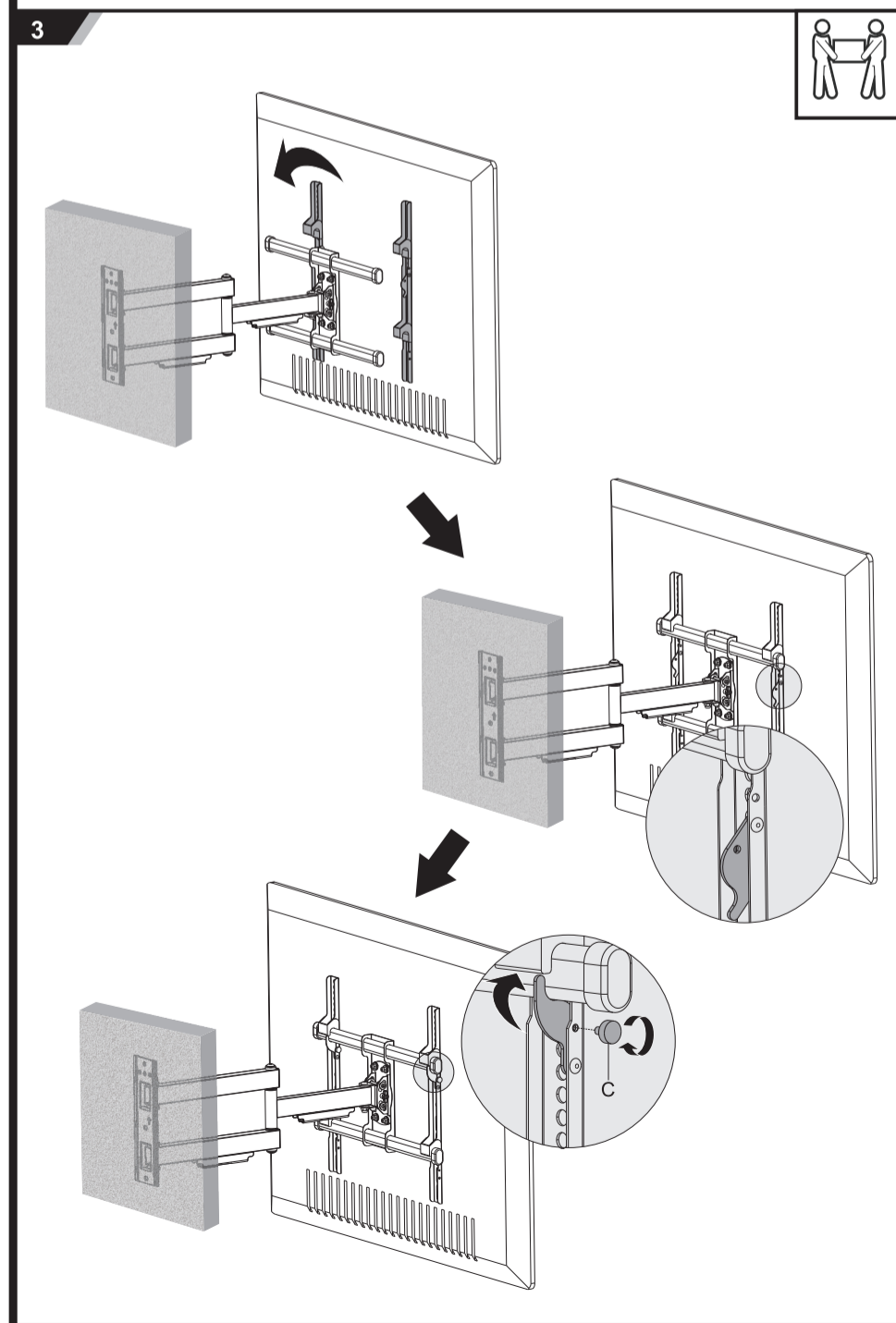
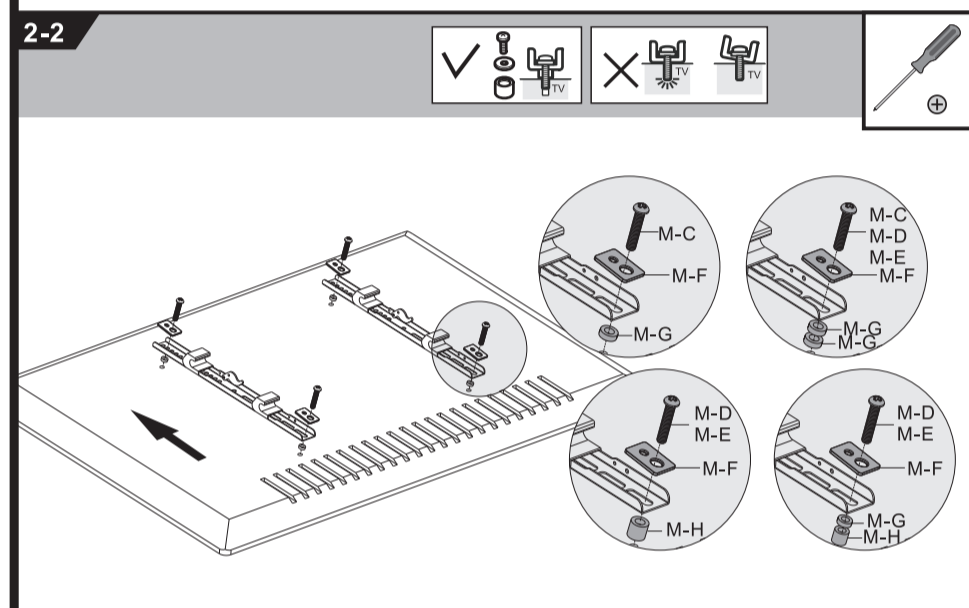
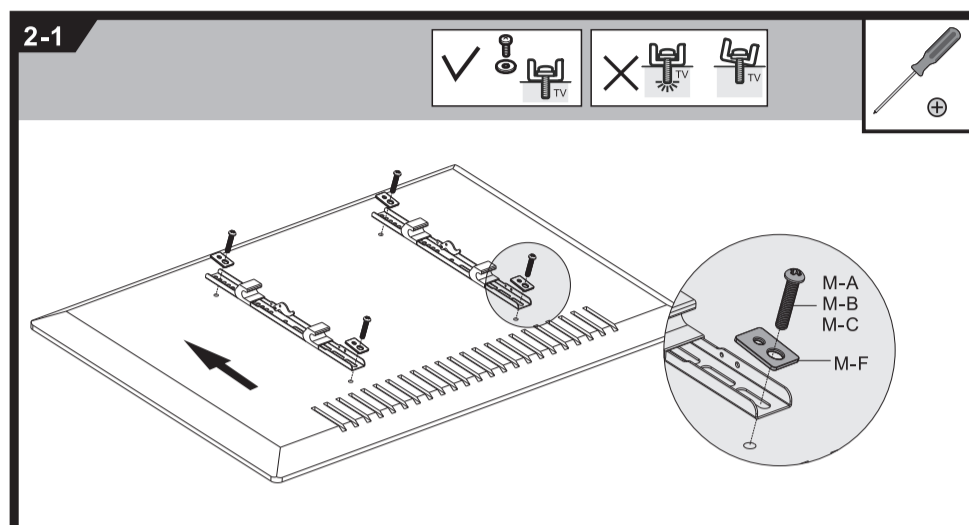
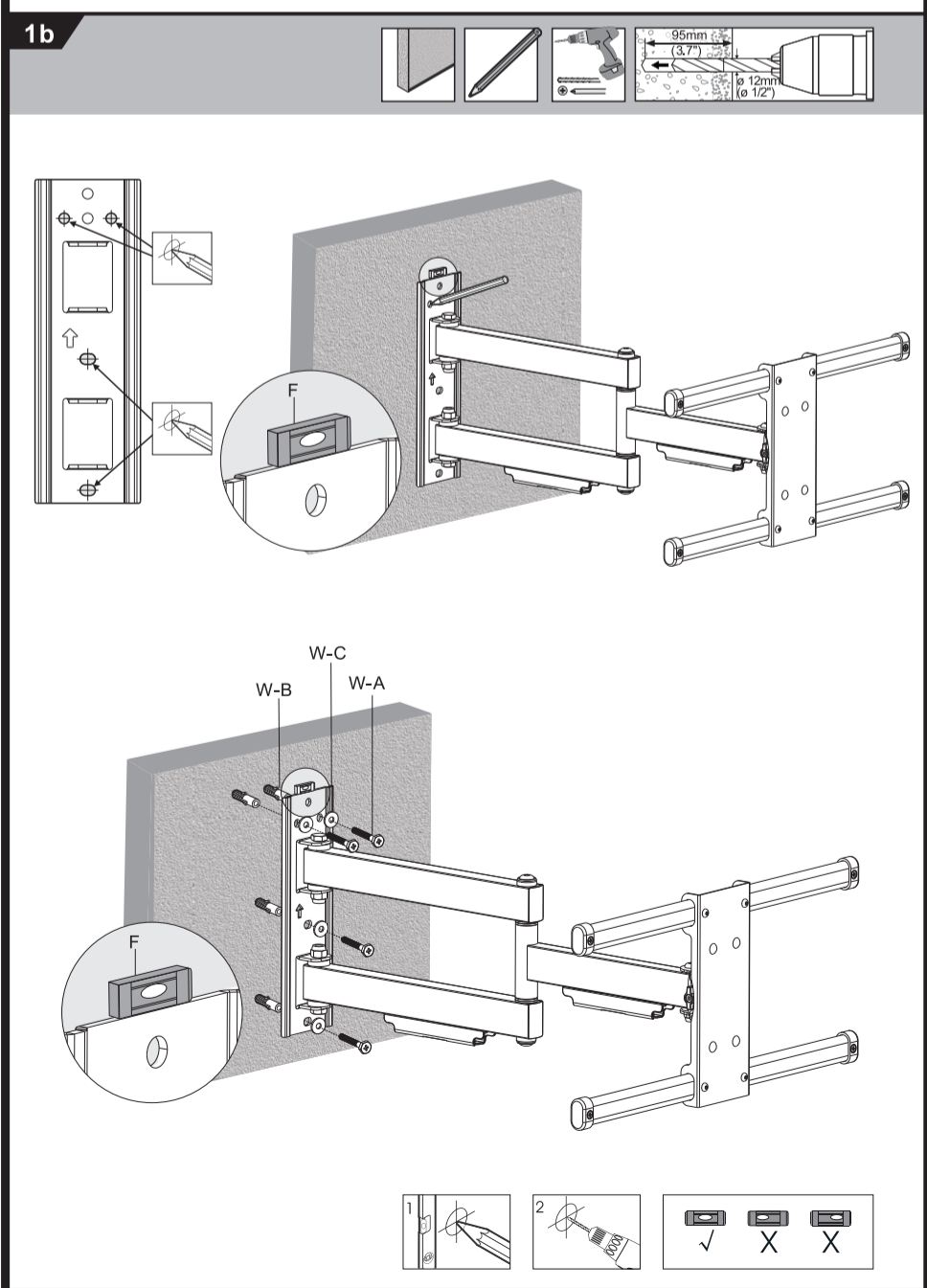
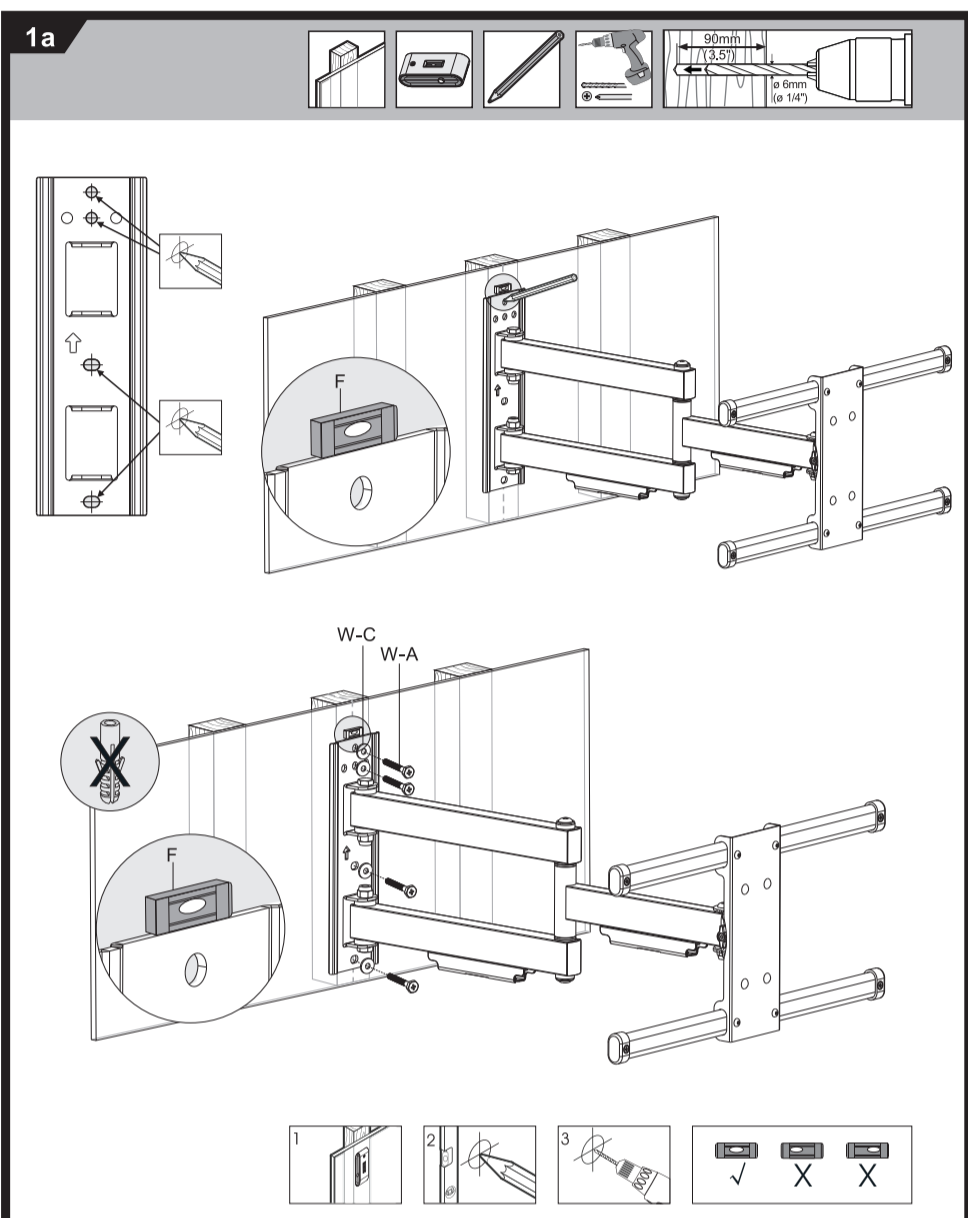
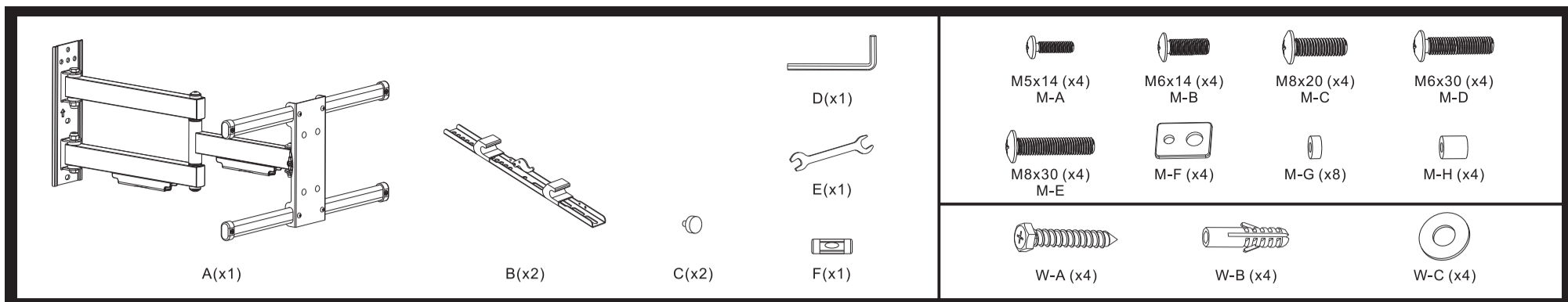
200x200/300x300
400x200/400x400

55"
MAX



A0





X-ON Electronics

Largest Supplier of Electrical and Electronic Components

Click to view similar products for [Pro Signal](#) manufacturer:

Other Similar products are found below :

[ABS-210-135-RC](#) [KVM-404](#) [JR9502/5M](#) [JR8030/25M](#) [APFLY5](#) [MJ-2325](#) [ABM-713-RC](#) [PSG-BB-170W-2BP](#) [PSG01592](#) [PSG01540](#)
[PSG01522](#) [PS11169](#) [PS11067](#) [PS11360](#) [PS11155](#) [PS11153](#) [PS11026](#) [PSG03905](#) [ABI-052-RC](#) [PSG03109](#) [PSG03489](#) [JR9505/1M](#)
[JR8052/20M](#) [MP-012LN](#) [APFLY2](#) [SPC22887](#) [PSG90335](#) [PSG01495](#) [PS11386](#) [PS11185](#) [PS11453](#) [PS11172](#) [ABS-244-RC](#) [PS000101](#)
[SVC683-3M](#) [AV02562](#) [PSG02580](#) [PSG01516](#) [PS11028](#) [PS11170](#) [PS11156](#) [PS11060](#) [SPC23060](#) [PSG90864](#) [ABT-462-RC](#) [PS11092](#)
[JR9901/2M](#) [JR9755-10M](#) [BLACK CAB](#) [JR8052/7M](#) [CL62002X](#)