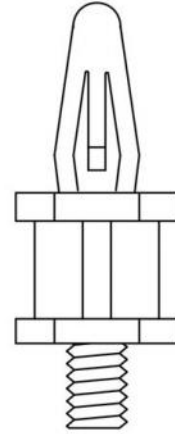
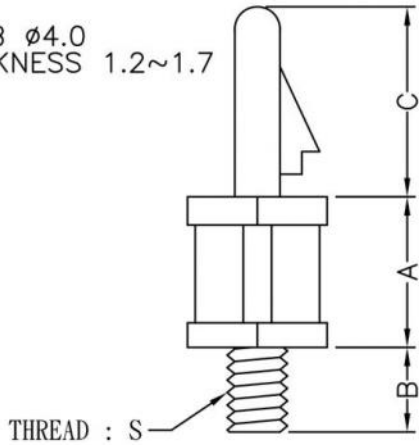


P.C.B ϕ 4.0
THICKNESS 1.2~1.7



A	B	C	S
6.3	4.8	10.0	6-32 UNC

S	SCREW NUT
---	-----------

All measurement does not include gate which raises under 0.3mm.

Akust Technology Co., Ltd
亞冠國際有限公司

PART NUMBER AV01-0013-AKS		SPEC. DWG.	
TITLE SPACER SUPPORT			
MATERIAL NYLON 66(UL) 94V-0		COLOR BLACK	
SIZE A4	SCALE 2:1	UNIT mm	CHECK Z.C

X-ON Electronics

Largest Supplier of Electrical and Electronic Components

Click to view similar products for [AKUST TECHNOLOGY](#) manufacturer:

Other Similar products are found below :

[FG04-0114-AKS](#) [BAB/CG](#) [SK00-0038-AKS](#) [FG00-0040-AKS](#) [SK00-0044-AKS](#)