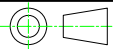
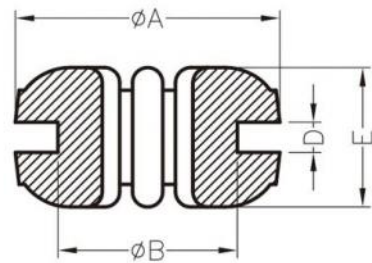


|                                |                    |                             |                  |
|--------------------------------|--------------------|-----------------------------|------------------|
| 材質 MATERIAL: SILICON           |                    | Akust Technology Co., Ltd   |                  |
| 品號 ITEM NO.: AV05-0001-AKS (1) |                    | 亞冠國際有限公司                    |                  |
| 製圖 DRAWN: ALAN                 | 日期 DATE: 2012/5/23 | 品名 TITLE: SILICON FAN SCREW |                  |
| 確認 APPROVED: DICK              | 單位 UNIT: mm        | 版次 REV.: C                  | 頁次 SHEET: 1 OF 1 |





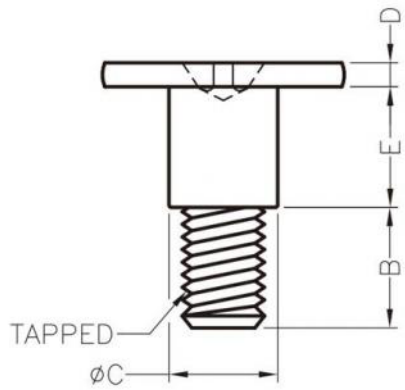
SECTION A-A

| A    | B   | C    | D   | E   |
|------|-----|------|-----|-----|
| 14.0 | 9.5 | 4.85 | 1.6 | 8.1 |

G:HARDNESS IS SHORE A45  
H:HARDNESS IS SHORE A55

**Akust Technology Co., Ltd**  
亞冠國際有限公司

|                      |       |               |       |            |  |
|----------------------|-------|---------------|-------|------------|--|
| PART NUMBER          |       | P02-0001-0012 |       | SPEC. DWG. |  |
| TITLE                |       |               |       |            |  |
| ANTI-VIBRATE GROMMET |       |               |       |            |  |
| MATERIAL             |       |               | COLOR |            |  |
| TPE                  |       |               | BLACK |            |  |
| SIZE                 | SCALE | UNIT          | CHECK |            |  |
| A4                   | 2:1   | mm            | Z.C   |            |  |

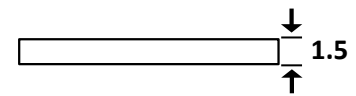
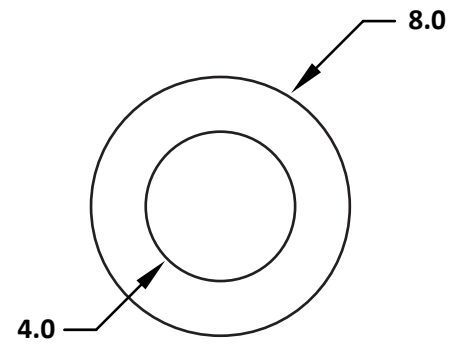


| A    | B   | C   | D   | E   | T       |
|------|-----|-----|-----|-----|---------|
| 10.0 | 5.0 | 4.5 | 1.0 | 5.0 | 6-32UNC |

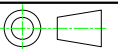
|   |        |
|---|--------|
| T | TAPPED |
|---|--------|

FINISH : NICKEL PLATING.

|  |             |       |               |      |            |       |       |
|--|-------------|-------|---------------|------|------------|-------|-------|
| <b>Akust Technology Co., Ltd</b><br>亞冠國際有限公司 | PART NUMBER |       | S00-0001-0129 |      | SPEC. DWG. |       |       |
|  | TITLE       |       |               |      |            |       | SCREW |
|  | MATERIAL    |       |               |      | COLOR      |       |       |
|  | STEEL       |       |               |      |            |       |       |
| SIZE   | A4          | SCALE | 2:1           | UNIT | mm         | CHECK | Z.C   |



|                                |                     |                            |                  |
|--------------------------------|---------------------|----------------------------|------------------|
| 材質 MATERIAL: EVA               |                     | Akust Technology Co., Ltd  |                  |
| 品號 ITEM NO.: AV05-0001-AKS (5) |                     | 亞冠國際有限公司                   |                  |
| 製圖 DRAWN: JON                  | 日期 DATE: 2010/11/26 | 品名 TITLE: SPONG FAN GASKET |                  |
| 確認 APPROVED: DICK              | 單位 UNIT: mm         | 版次 REV.: A                 | 頁次 SHEET: 1 OF 1 |



## **X-ON Electronics**

Largest Supplier of Electrical and Electronic Components

*Click to view similar products for [AKUST TECHNOLOGY](#) manufacturer:*

Other Similar products are found below :

[FG04-0114-AKS](#) [BAB/CG](#) [SK00-0038-AKS](#) [FG00-0040-AKS](#) [SK00-0044-AKS](#)