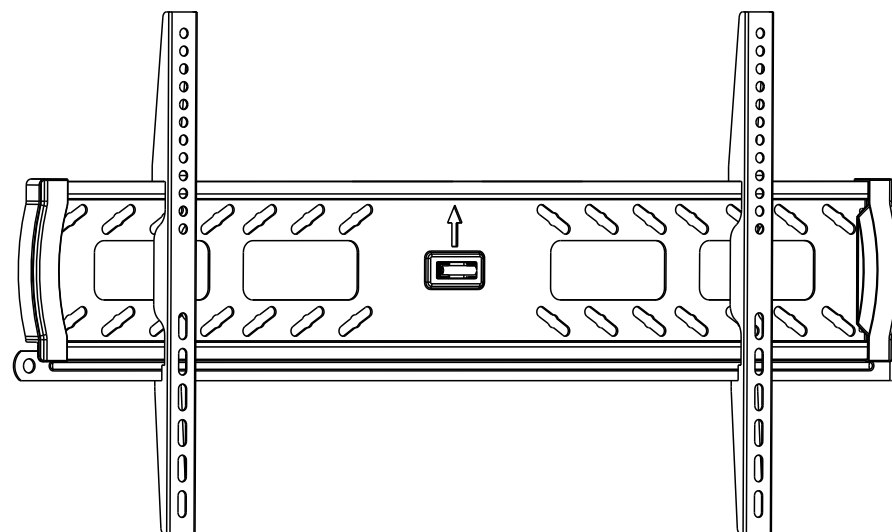


PRO-SIGNAL

INSTALLATION INSTRUCTIONS



Fixed Wall Mount



CAUTION: DO NOT EXCEED MAXIMUM LISTED WEIGHT CAPACITY. SERIOUS INJURY OR PROPERTY DAMAGE MAY OCCUR!

PS-ATWB60F



200x200/400x200
400x400/600x400



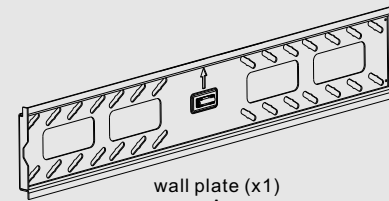
NOTE: Read the entire instruction manual before you start installation and assembly.

WARNING

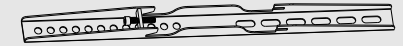
- Do not begin the installation until you have read and understood the instructions and warnings contained in this installation sheet. If you have any questions regarding any of the instruction or warning, please contact your local distributor.
- This mounting bracket was designed to be installed and utilized **ONLY** as specified in this manual. Improper installation of this product may cause damage or serious injury.
- This product should only be installed by someone of good mechanical ability, with basic building experiences and fully understanding of this manual.
- Make sure that the supporting surface will safely support the combined load of the equipment and all attached hardware and components.
- Never exceed the maximum load capacity.
- If mounting to wood wall studs, make sure that mounting screws are anchored into the center of the studs. Use of a stud finder is highly recommended.
- Always use an assistant or mechanical lifting equipment to safely lift and position equipment.
- Tighten screws firmly, but do not over tighten. Over tightening can damage the items, greatly reducing their holding power.
- This product intended for indoor use only. Using this product outdoors could lead to product failure and personal injury.

Component Checklist

IMPORTANT: Ensure that you have received all parts according to the component checklist prior to installing. If any parts are missing or faulty, telephone your local distributor for a replacement.



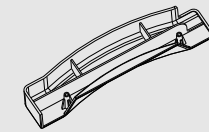
wall plate (x1)
A



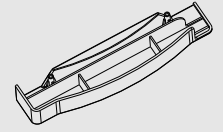
adapter bracket (x2)
B



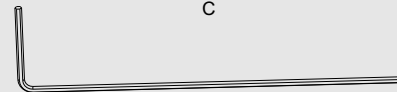
safety bar (x1)
C



left decorative cover (x1)
E



right decorative cove (x1)
F



5mm allen key (x1)
D

Package M



M4x14 (x4)
M-A



M4x25 (x4)
M-B



M5x14 (x4)
M-C



M5x25 (x4)
M-D



M6x14 (x4)
M-E



M6x25 (x4)
M-F



M8x15 (x4)
M-G



M8x30 (x4)
M-H



washer (x4)
M-I



ø14xø6x10 (x4)
M-J

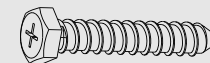


ø15xø8x15 (x4)
M-K



ST2.9x8 (x4)
M-L

Package W



ST6.3x55 (x6)
W-A

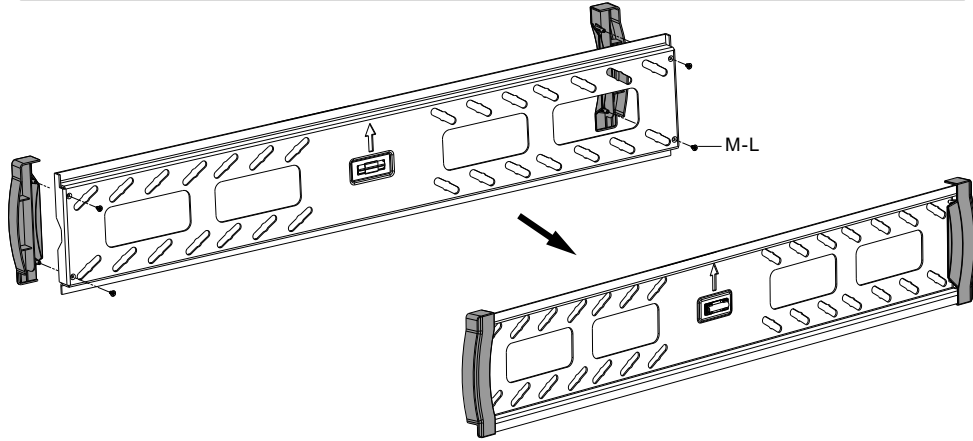


concrete anchor (x6)
W-B

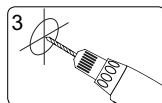
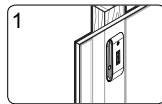
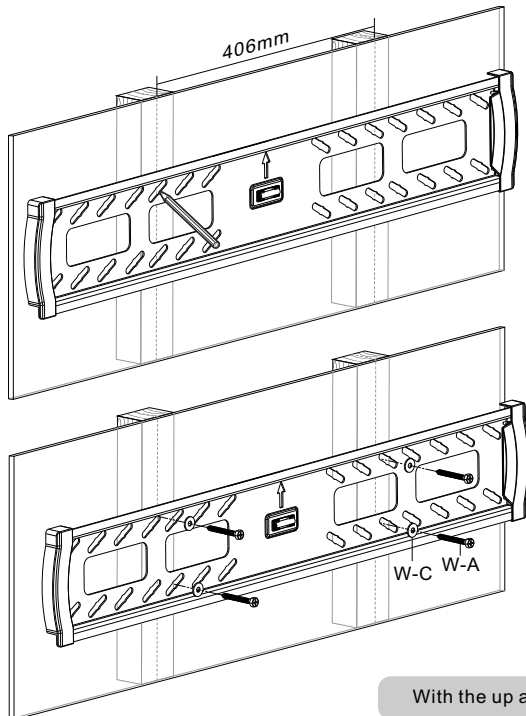
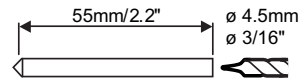
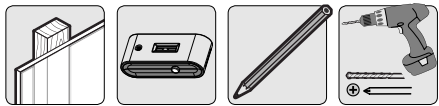


D6 washer (x6)
W-C

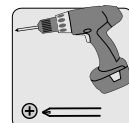
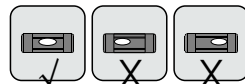
1. Installing Decorative Covers



2a. Wood Stud Wall Mounting (For model: LP22-46F)



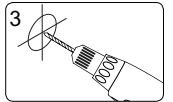
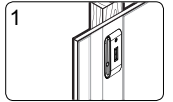
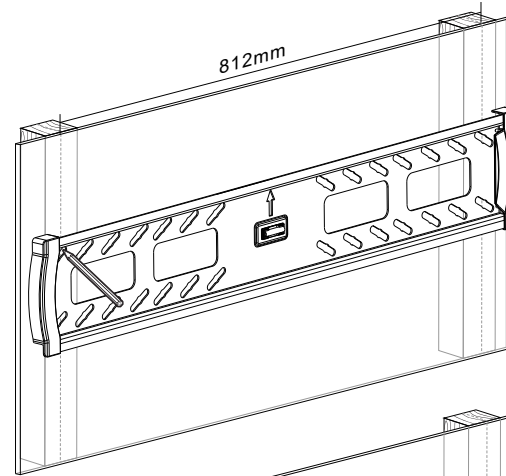
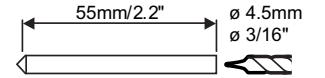
Drill pilot holes



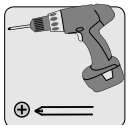
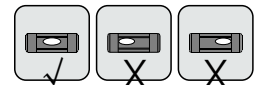
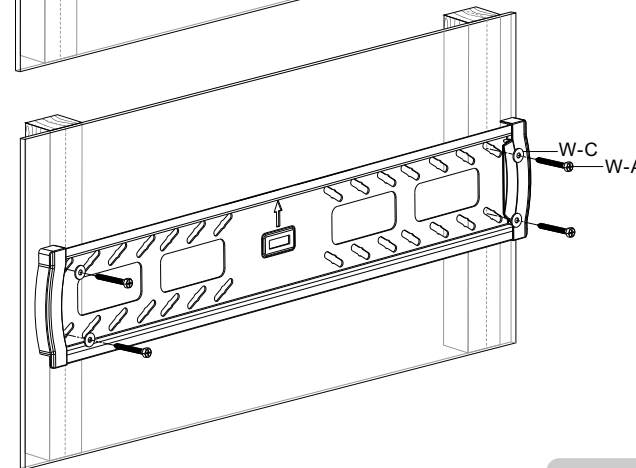
Screw the wall plate onto the wall

With the up arrow of the plate upward.

2a. Wood Stud Wall Mounting (For model: LP22-48F and LP22-410F)



Drill pilot holes



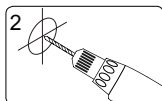
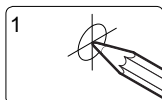
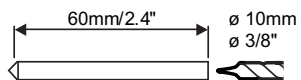
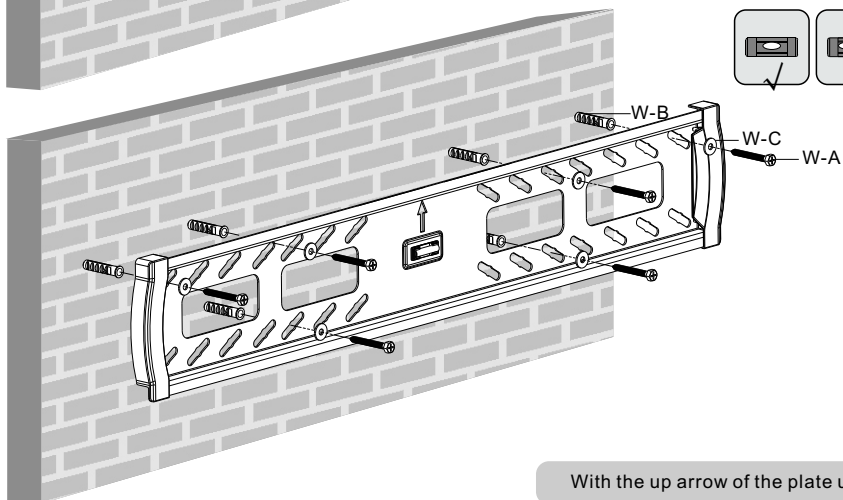
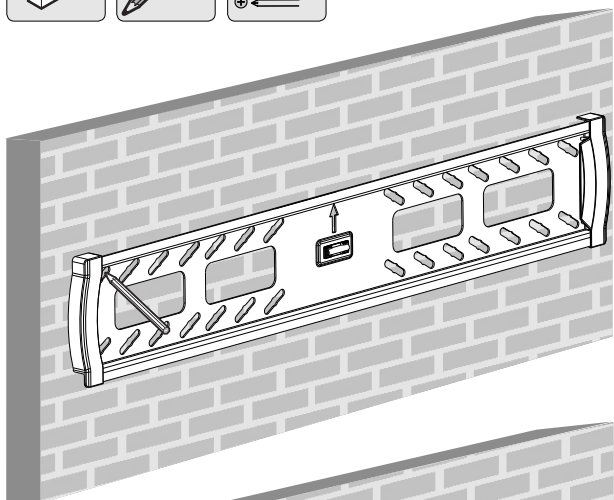
Screw the wall plate onto the wall

With the up arrow of the plate upward.

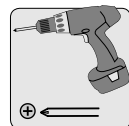
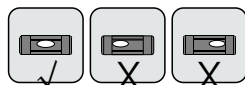
⚠ WARNING

- Make sure that mounting screws are anchored into the center of the studs. Use of a stud finder is highly recommended.
- Installers are responsible to provide hardware for other types of mounting situations.
- Installer must verify that the supporting surface will safely support the combined load of the equipment and all attached hardware and components.

2b. Solid Brick and Concrete Block Mounting:



Drill pilot holes



Screw the wall plate onto the wall

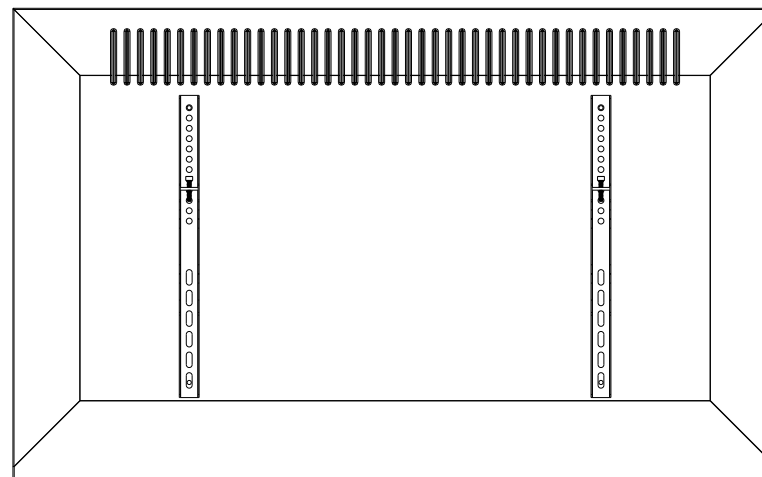
With the up arrow of the plate upward.

⚠ WARNING

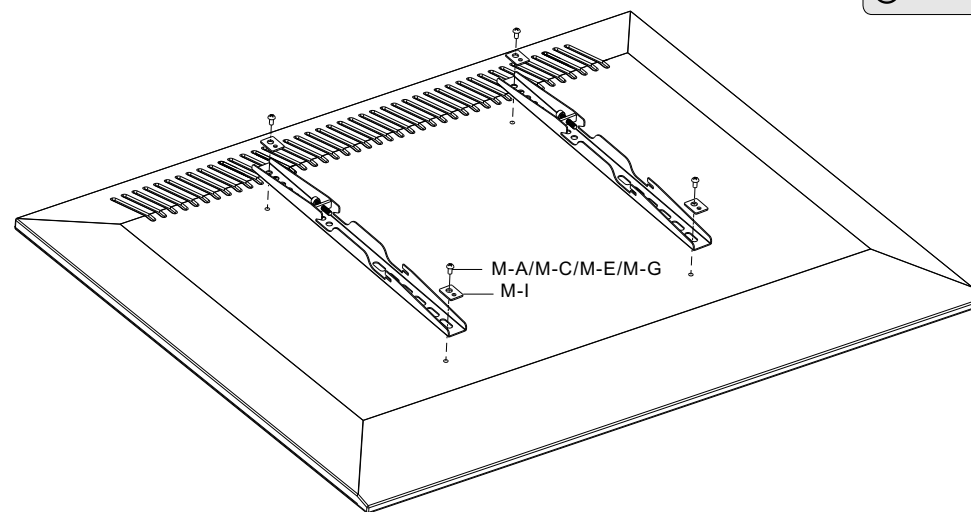
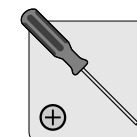
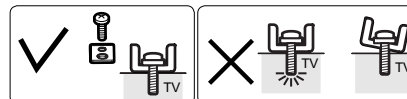
- When installing wall mounts on cinder block, verify the actual concrete thickness is at least 1-3/8" (35mm) for using the concrete anchors. Do not drill into mortar joints! Be sure to mount in a solid part of the block, generally 1" (25mm) minimum from the side of the block. It is suggested electric drill on slow setting is used to drill the hole instead of a hammer drill to avoid breaking out the back of the hole when entering a void or cavity.

- Installer must verify that the supporting surface will safely support the combined load of the equipment and all attached hardware and components.

3. Installing Adapter Brackets

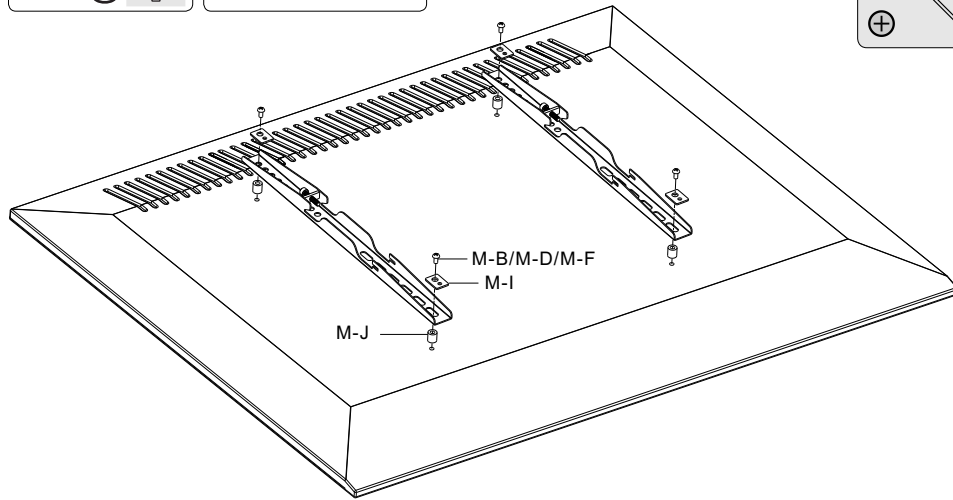
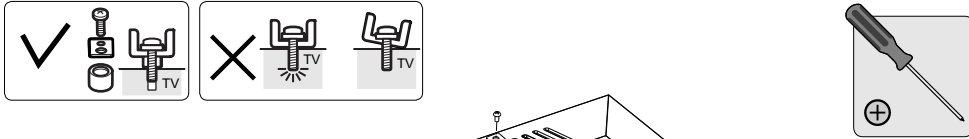


3-1 For Flat Back Screen

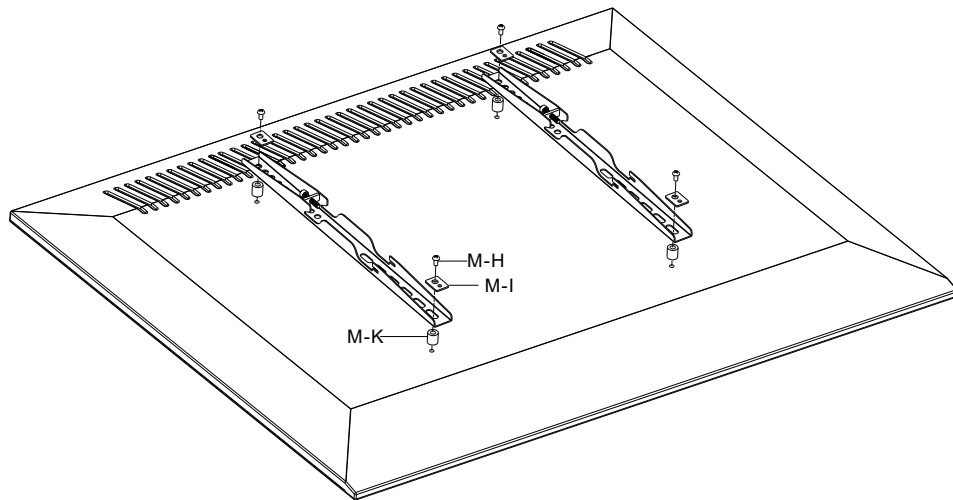


⚠ Tighten all screws but do not over tighten.

3-2 For Recessed Back Screen or to Access A/V Inputs



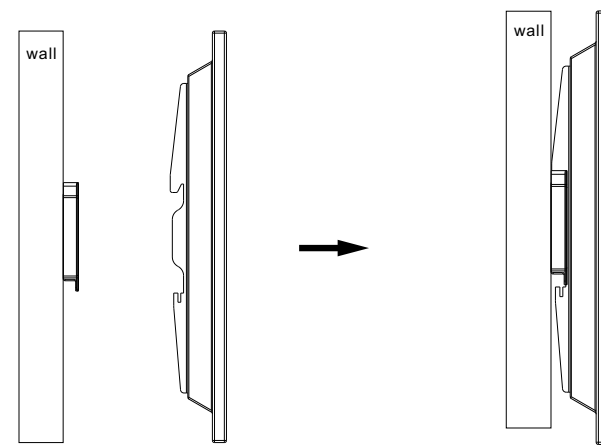
or



- Position the adapter brackets as close as possible to the middle of the screen.
- Screw the adapter brackets onto the TV.

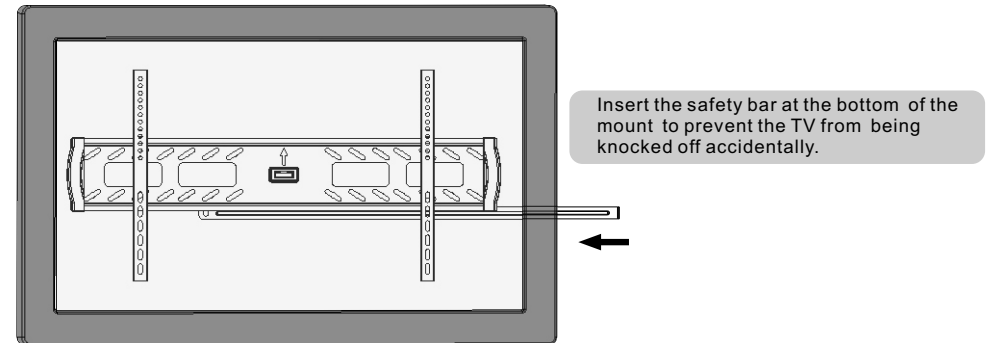
! Tighten all screws but do not over tighten.

4. Hang TV onto the Wall Plate

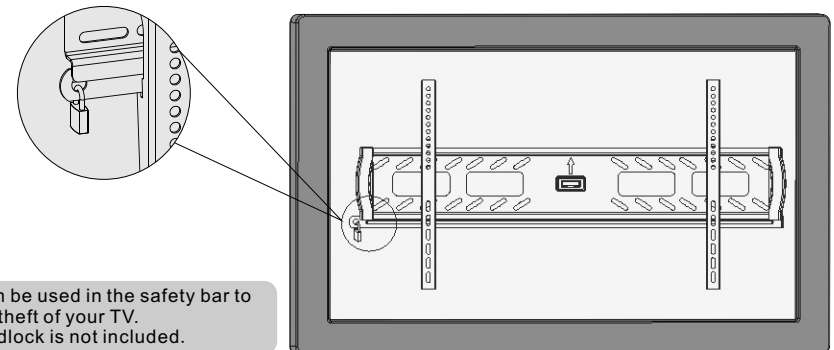


Two qualified persons are required

Hook the TV over the top of the wall plate.
Important: Make sure the TV is correctly hooked before releasing the TV.

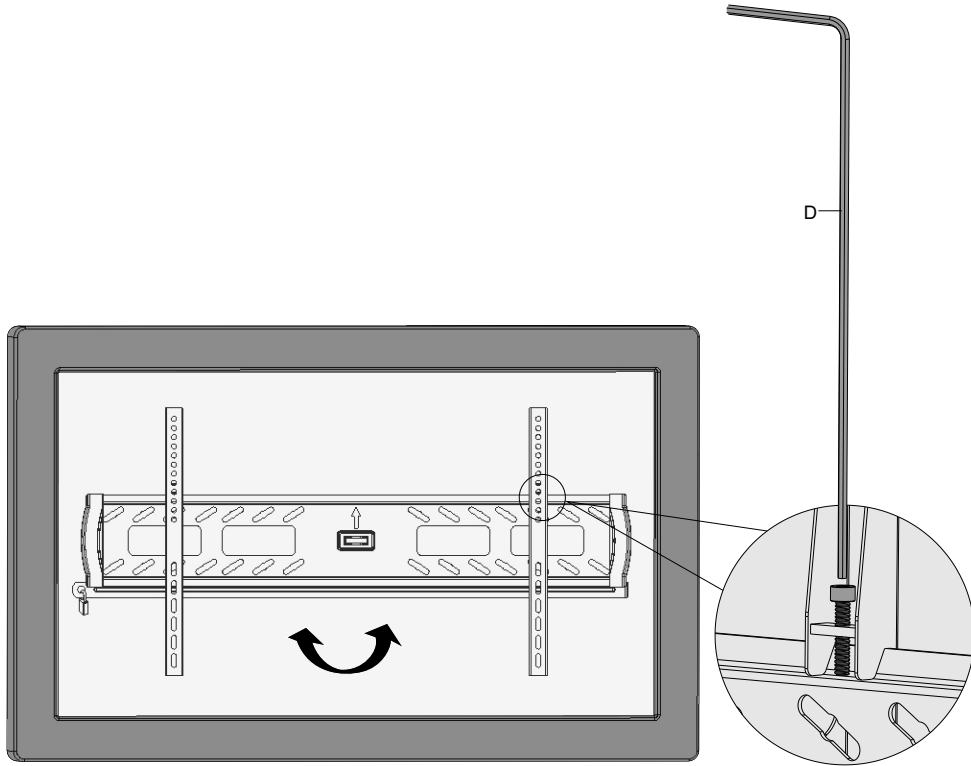


Insert the safety bar at the bottom of the mount to prevent the TV from being knocked off accidentally.



A padlock can be used in the safety bar to help prevent theft of your TV.
Note: the padlock is not included.

5. Pitching Angle Adjustment



You can slightly adjust level for the display by tightening or loosening screws using a 5mm Allen key.

Maintenance

- Check that the bracket is secure and safe to use at regular intervals (at least every three months).
- Please contact your dealer if you have any questions.

X-ON Electronics

Largest Supplier of Electrical and Electronic Components

Click to view similar products for [Pro Signal](#) manufacturer:

Other Similar products are found below :

[ABS-210-135-RC](#) [KVM-404](#) [JR9502/5M](#) [JR8030/25M](#) [APFLY5](#) [MJ-2325](#) [ABM-713-RC](#) [PSG-BB-170W-2BP](#) [PSG01592](#) [PSG01540](#)
[PSG01522](#) [PS11169](#) [PS11067](#) [PS11360](#) [PS11155](#) [PS11153](#) [PS11026](#) [PSG03905](#) [ABI-052-RC](#) [PSG03109](#) [PSG03489](#) [JR9505/1M](#)
[JR8052/20M](#) [MP-012LN](#) [APFLY2](#) [SPC22887](#) [PSG90335](#) [PSG01495](#) [PS11386](#) [PS11185](#) [PS11453](#) [PS11172](#) [ABS-244-RC](#) [PS000101](#)
[SVC683-3M](#) [AV02562](#) [PSG02580](#) [PSG01516](#) [PS11028](#) [PS11170](#) [PS11156](#) [PS11060](#) [SPC23060](#) [PSG90864](#) [ABT-462-RC](#) [PS11092](#)
[JR9901/2M](#) [JR9755-10M](#) [BLACK CAB](#) [JR8052/7M](#) [CL62002X](#)