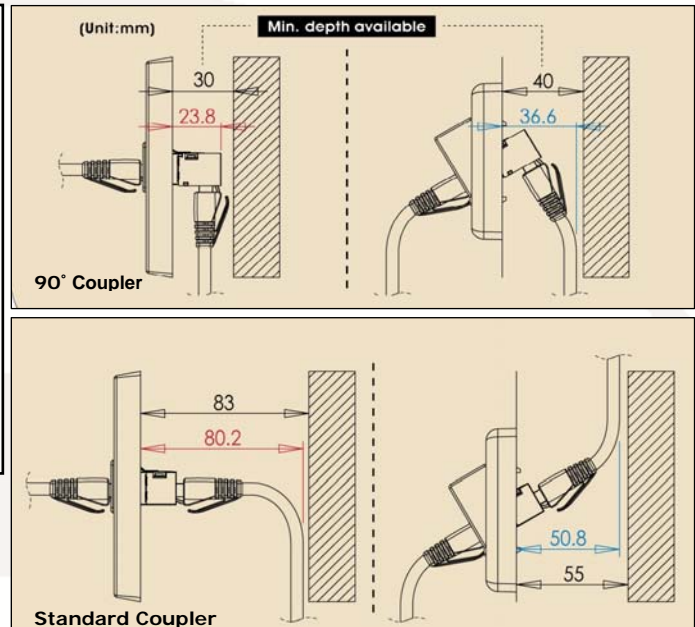


## 90° Keystone Panel Mount Coupler Category 6A



### 90° Keystone Panel Mount Coupler (SGACK90)

High performance coupler ideal for use in backboxes and in limited space.

#### Features

- Slim and very compact design enables use in panels or faceplates where width or depth are restricted
- Designed to fit industry standard keystone mount outlets wall plates and patch panels
- High performance data throughput, meets Category 6A data transfer rates
- Press-fit lead- and solder-free assembly

#### Specifications

- Dimensions (mm) 36.1 x 20.3 x 16.8 approx (L x H x W)
- Colour: Silver (shielded)
- Materials
  - Housing: ABS UL94V-0
  - Shielding: Nickel plated copper alloy
  - Contacts: 1.27  $\mu\text{m}$ /50  $\mu\text{m}$  gold plating on nickel-plated phosphor bronze

#### Packaging

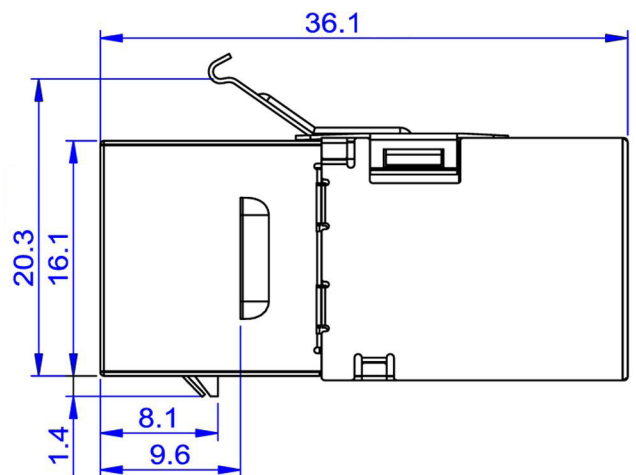
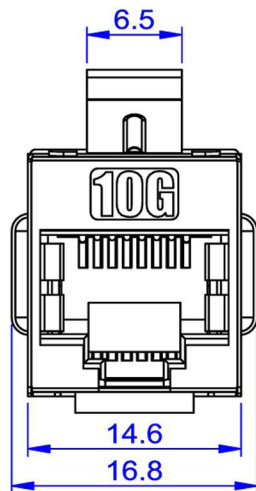
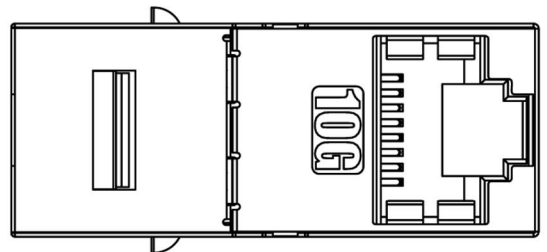
Supplied in individual polythene bags then in bags of 20

---

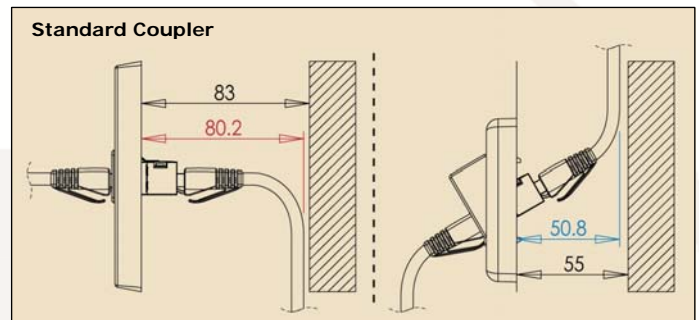
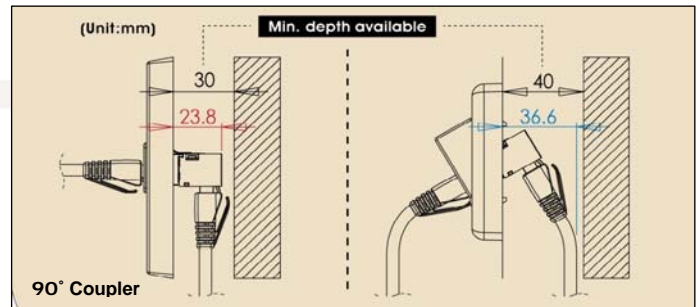
ROHS Compliant

INSERTION LIFE : 750 MATING CYCLES WITH FCC COMPLIANT 8P PLUG.  
CONTACT FORCE : 100 GRAMS WITH FCC COMPLIANT 8P PLUG.  
PLUG RETENTION FORCE : 50N  
OPERATING TEMPERATURE RANGE : -10 C TO 60 C.  
STORAGE TEMPERATURE RANGE : -40 C TO 68 C.  
HUMIDITY : 10%~90%RH.

INSULATION RESISTANCE : 500 MΩ.  
DIELECTRIC WITHSTANDING VOLTAGE : 1000 V AC.  
DC CURRENT RATING : 1.5 Amps.  
DC RESISTANCE : 0.1Ω.  
CONTACT RESISTANCE : 20mΩ.



## 90° Keystone Panel Mount Coupler Category 6



### 90° Keystone Panel Mount Coupler (SACK90Bk + SACK90Wh)

High performance coupler ideal for use in backboxes and in limited space.

#### Features

- Slim and very compact design enables use in panels or faceplates where width or depth are restricted
- Designed to fit industry standard keystone mount outlets wall plates and patch panels
- High performance data throughput, meets Category 6 data transfer rates
- Black or white versions available
- Press-fit lead- and solder-free assembly

#### Specifications

- Dimensions (mm) 36 x 19.2 x 16.6 approx
- Colour: White or black
- Housing: ABS UL94V-0
- Contacts: 3μ"/0.075μm gold plating on 30μ"/0.75μm palladium on nickel plated phosphor bronze

#### Specifications

Supplied in individual polythene bags then in bags of 20

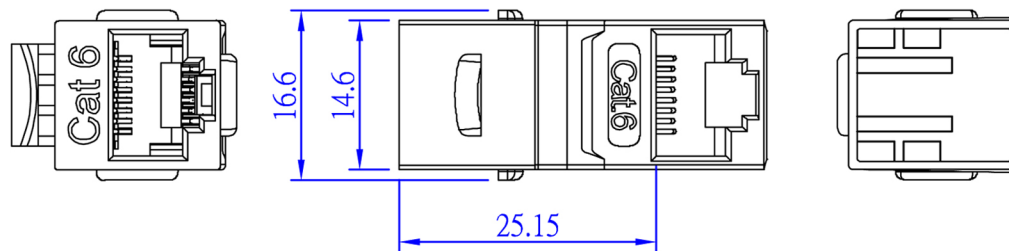
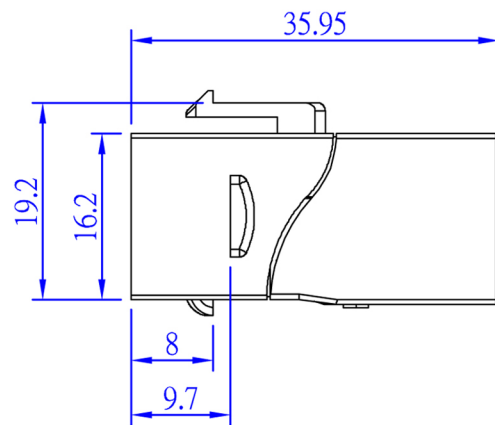
ROHS Compliant

Features :

- RJ45 complies with FCC part 68 standard
- Jack insertion life >750 mating cycles
- Operating temperature : -40°C~+60°C

Electrical :

- Contact resistance : 20m ohm
- DC Current rating : 1.5Amps
- DC resistance : Max. 0.1 ohm
- Insulation Resistance : 500m ohm
- Dielectric withstanding voltage : 1000V



## X-ON Electronics

Largest Supplier of Electrical and Electronic Components

*Click to view similar products for [Tuk](#) manufacturer:*

Other Similar products are found below :

[ADQ88](#) [KOLSMDX](#) [PXCAT6S8XL2](#) [SKH1](#) [PXSPDY6#100](#) [PSPDY5#100](#) [PXSPDY6#10](#) [SP5RD](#) [FTT](#) [SKFBKDPM](#) [SACK3S-24](#)  
[OT45BK](#) [SKFYW](#) [PSDL-6#20](#) [WJOL](#) [FJP2](#) [KH4](#) [KRCAWHBKDPM](#) [SPDL5BK](#) [TRCSPDY3](#) [PSDL-5#100](#) [SKFGN](#) [SP3RD](#) [SLJBKDPM](#)  
[SEKEIPM](#) [FJKPT](#) [KCUAA2BKDPM](#) [SP5GN](#) [MGOP6](#) [TPOET](#) [PXSPDY5#10](#) [WJSG](#) [SILWH](#) [SP3YW](#) [SACK2WHPM](#) [T2079](#)  
[FACK2BKDPM](#) [KOCSMDPM](#) [SP5YW](#) [SGPZ10BK](#) [ADF](#) [SEKEI-45WH](#) [TRCSPDYBP](#) [SP5GYB](#) [SKH4](#) [SGKH2](#) [SKFWHPM](#) [KOCSM](#)  
[SKH2](#) [SP10RD](#)