

Bluetooth Wireless Headphones

User's Guide for Model IAHB56 v1550-01



FCC Warnings

Warning: Changes or modifications to this unit not expressly approved by the party responsible for compliance could void the user's authority to operate the equipment.

NOTE: This equipment has been tested and found to comply with the limits for a Class B digital device, pursuant to Part 15 of the FCC Rules. These limits are designed to provide reasonable protection against harmful interference in a residential installation. This equipment generates, uses, and can radiate radio frequency energy and, if not installed and used in accordance with the instructions, may cause harmful interference to radio communications. However, there is no guarantee that interference will not occur in particular installation. If this equipment does cause harmful interference to radio or television reception, which can be determined by turning the equipment off and on, the user is encouraged to try to correct the interference by one or more of the following measures:

- Reorient or relocate the receiving antenna.
- Increase the separation between the equipment and receiver.
- Connect the equipment into an outlet on a circuit different from that to which the receiver is connected.
- Consult the dealer or an experienced radio/TV technician for help.

Additional Warnings and Precautions

- To avoid hearing damage, make sure that the volume on your music player is turned down before connecting your headphones. After placing headphones in/on your ears, gradually turn up the volume until you reach a comfortable listening level.
- Lithium batteries, like all rechargeable batteries, are recyclable and should be recycled or disposed of according to state and local guidelines. They should never be disposed of in normal household waste, and they should never be incinerated, as they might explode. Contact your local government for disposal or recycling practices in your area.
- WARNING: This product may contain chemicals known to the State of California to cause birth defects, or other reproductive harm (California Prop 65). Wash hands after handling.
- This product meets and complies with all Federal regulations.

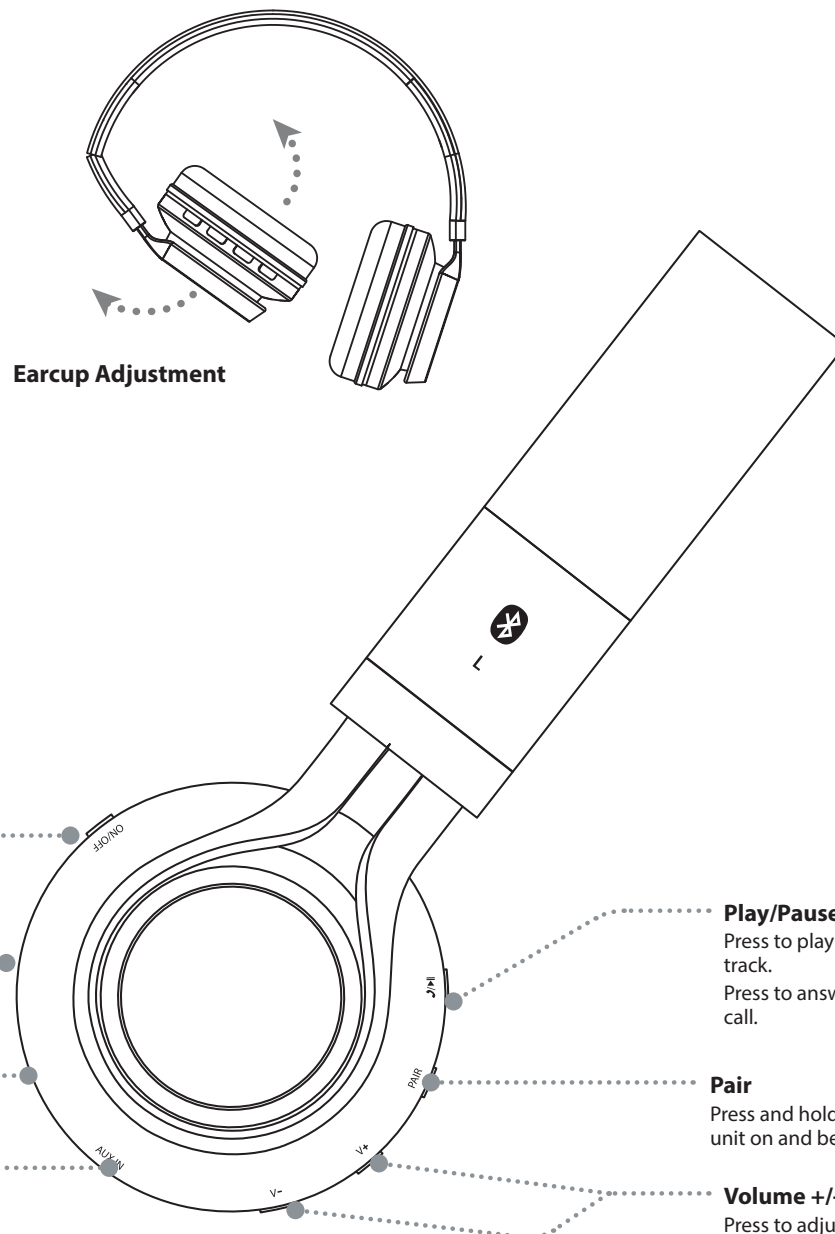
Features & Controls

Features

- Supports Bluetooth
- Wireless range: 33 feet
- Built-in microphone
- Micro-USB port for battery recharge
- Aux in (3.5mm audio input)
- Adjustable headband
- On-ear controls
- DC battery power: built-in rechargeable lithium ion battery
- Battery life: approx. 9 hours

Includes

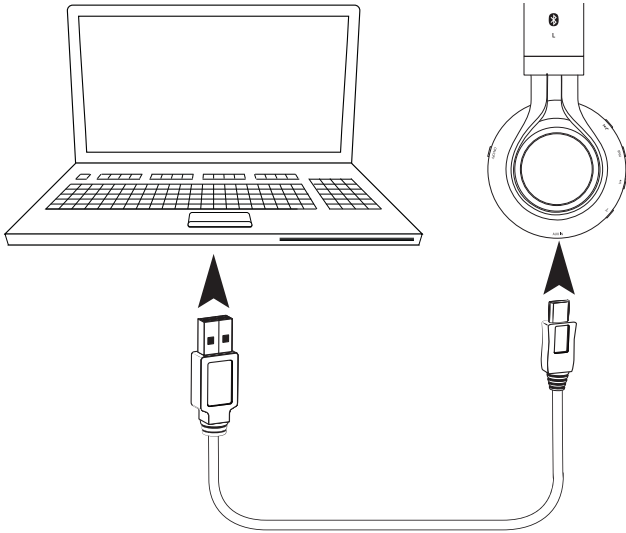
- Micro-USB to USB cable
- 3.5mm audio cable
- Carry pouch



Charging the Battery

Requires a Micro-USB to USB cable (included).

- Using a **Micro-USB to USB** cable (included), connect to the USB port of a powered on computer or USB power adaptor (not included).



LED Indicators

STATUS	INDICATOR
Power On	Flashing blue light
Power Off	No light
Charging	Solid red light
Charging Complete	No light
Pairing	Flashing red and blue lights

Bluetooth

Pairing a Bluetooth Device for the First Time

- Power on the unit and hold the Pair button for approximately **7 seconds**.
- The indicator will flash red and blue. When pairing, remain within 3 feet of the unit.
- Using the controls on your Bluetooth device, select the **IAHB56** in your Bluetooth settings to pair.
- If your device requests a password, enter the default password **0000**.
- Refer to the user's manual for your specific device for instructions on pairing and connecting Bluetooth devices.
- After initial pairing, the unit will stay paired unless unpaired manually by the user or erased due to a reset of the device.
- If your device should become unpaired or you find it is unable to connect, repeat the above steps.

Playing Audio Wirelessly

- To play or pause the selected track, use the native controls on the connected Bluetooth Device or press the **Play/Pause/Answer** button.
- Audio played through the connected Bluetooth device will now be heard through the headphones.

Using the Speakerphone

- When a call is received, a ringtone will sound through the headphones.
- Press the **Call/End Call** button to accept the call or accept the call with the native controls on the connected device.
- The incoming call received through the device will now be heard through the headphones.
- To end the call, press the **Call/End Call** button or end the call using the controls on the connected device.

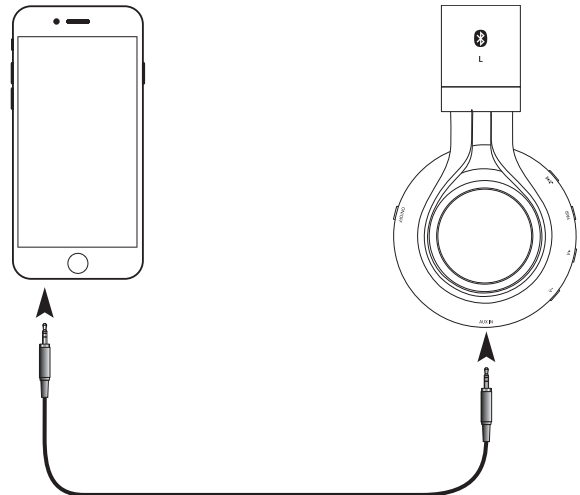
Aux In

Using the Audio Input

Requires a 3.5mm audio cable (included).

Aux In mode will function even if the headphones are not powered ON. To conserve battery power, keep them powered OFF when using Aux In.

- Connect a 3.5mm audio cable to the **Aux In** on the unit and the **audio output** on an audio device.
- Use the controls on the connected device to select and play your audio through the headphones.



International Support

To download this User's Guide in English, Spanish, or French, or to get answers to frequently asked questions, visit the support section at: www.iLiveElectronics.com

Para descargar este Manual del Usuario en inglés, español y francés, o para obtener respuestas a preguntas frecuentes, visite la sección de apoyo en: www.iLiveElectronics.com

Pour télécharger ce guide de l'utilisateur en anglais, espagnol ou français, ou pour obtenir des réponses à des questions fréquemment posées, consultez la rubrique d'assistance sur: www.iLiveElectronics.com

For Warranty Information and the most up-to-date version of this User's Guide, go to www.iLiveElectronics.com

Customer Service: 1-888-999-4215 | **Email Support:** prodinfo@dpiinc.com | **Email Parts:** partsinfo@dpiinc.com

Copyright © 2015 Digital Products International (DPI, Inc.) All other trademarks appearing herein are the property of their respective owners. Specifications are subject to change without notice.



**Protect for Today
Sustain for Tomorrow**

X-ON Electronics

Largest Supplier of Electrical and Electronic Components

Click to view similar products for [ILIVE](#) manufacturer:

Other Similar products are found below :

[IAEB6B](#)