

TERMINAL BLOCKS & BARRIER STRIPS

EURO MAG TERMINAL BLOCKS

DePluggable Printed Circuit Mount Male Header Sockets

These sockets are available in both Vertical & Horizontal configurations and mate with the 13-2500 and 13-2600 series. They have closed side bases and a mating latch to prevent accidental disconnection of the plugs.

Specifications:

Rating: 15A @ 300V

UL Listed & CSA Certified

Center Spacing: .2" (5.08 mm)

Contact Material: Tin Plated Brass

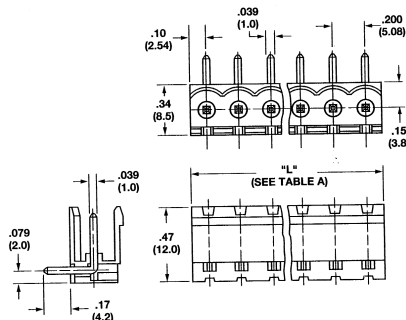
Housing Material: Type 6/6 Polyamide 94VO

Recommended PC Hole size: .055" (1.40 mm)

use #55 drill bit Philmore # 12-552

Operating Temperature: 105°C (221°F) max.

-40°C (-40°F) min.



Horizontal

Vertical Mount

Part Number	# Positions	Length
13-2702	2	12.08 mm
13-2703	3	17.16 mm
13-2704	4	22.24 mm
13-2705	5	27.32 mm
13-2706	6	32.40 mm
13-2708	8	42.56 mm
13-2710	10	52.72 mm
13-2712	12	62.88 mm

Horizontal Mount

Part Number	# Positions	Length
13-2802	2	12.08 mm
13-2803	3	17.16 mm
13-2804	4	22.24 mm
13-2805	5	27.32 mm
13-2806	6	32.40 mm
13-2808	8	42.56 mm
13-2810	10	52.72 mm
13-2812	12	62.88 mm

EURO STYLE BARRIER STRIP

These Euro style barrier strips are available in several sizes depending on your carry current needs. They are cuttable to almost any desired length. These terminal blocks are available in 20A, 30A, 35A, and 50A versions.

Description:


Base: With 1.2 - 2.5mm raised base

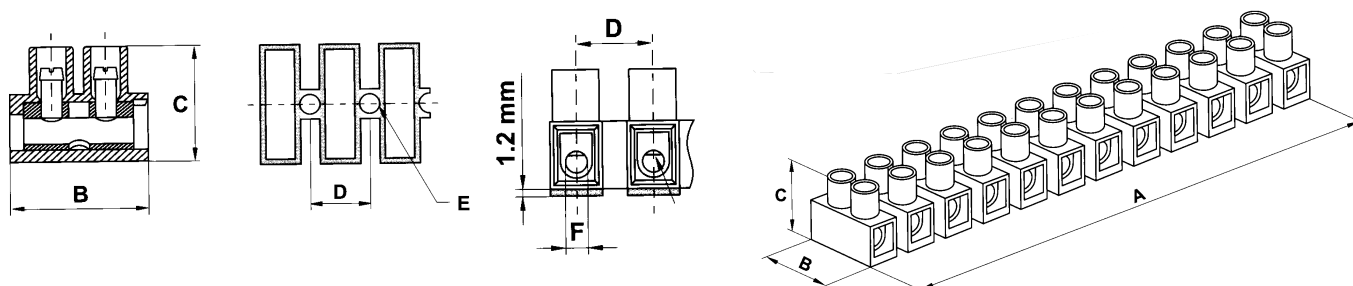
Housing Material: Polyamide 66 (Nylon 66), UL 94V-2

Temperature Rating: 105°C (UL), -30°C to 110°C (VDE)

Terminal Insert: Brass metal alloy, nickel plated

Screw: Zinc plated

Model	Clamping Area	Wire Range (Cu, AWG)	Screw	Dimensions (mm / inch)							U.S.A.  US
				Unit	A	B	C	D	E	F	
13-1208	2.5mm ²	22-12 Sol/Str	M2.6x5	(mm)	96.20	17.00	14.50	8.00	2.90	2.8 ± 0.1	600V 20 AMP
				(inch)	3.79	0.67	0.57	0.32	0.11	0.11	
13-1210	4.0mm ²	22-10 Sol 14-10 Str	M3.0x6	(mm)	117.5	20.20	17.00	10.00	3.60	3.4 ± 0.1	600V 30 AMP
				(inch)	4.63	0.80	0.67	0.39	0.14	0.13	
13-1216	6.0mm ²	22-10 Sol/Str	M3.5x7	(mm)	140.7	23.80	19.00	12.00	3.90	4.2 ± 0.1	600V 35 AMP
				(inch)	5.40	0.94	0.75	0.47	0.15	0.15	
13-1232	10.0mm ²	20-8 Sol/Str	M4.0x9	(mm)	158.0	25.60	25.20	13.50	4.40	5.0 ± 0.1	600V 50 AMP
				(inch)	6.22	1.01	0.99	0.53	0.17	0.19	



X-ON Electronics

Largest Supplier of Electrical and Electronic Components

Click to view similar products for [MCM manufacturer](#):

Other Similar products are found below :

[NWTBATCAPMB13](#) [25-020](#) [27-505](#) [27-4155](#) [27-840](#) [28-0755](#) [28-5958](#) [50-10820](#) [37-330](#) [PI-UPTIMEUPS](#) [27-5918](#) [27-5977](#) [12-3410](#) [28-6023](#) [55-3230](#) [35SPS-3](#) [28-6008](#) [22-26180](#) [17705](#) [55-5675](#) [27-6020](#) [24-12352](#) [21-7655](#) [28-6017](#) [53-1230](#) [28-5965](#) [21-18966](#) [22-1640](#) [27-4200](#) [83-17607](#) [27-5833](#) [27-5925](#) [24-12344](#) [12-3404](#) [PCM-2100-50](#) [21-19004](#) [28-6080](#) [22-665](#) [24-1040](#) [27-5917](#) [28-6005](#) [55-5670](#)
[HD15MM35N-100F](#) [21-4605](#) [21-12825](#) [24-5360](#) [27-4270](#) [27-5940](#) [27-5949](#) [27-6112](#)