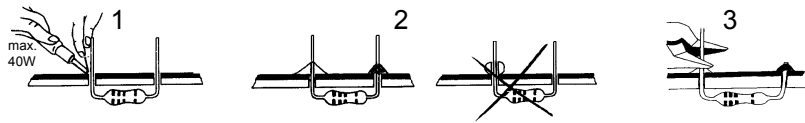


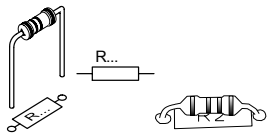
Soldering - Solderen - Soudage - Löten - Soldadura - Lötning - Juottaminen - Saldatura - Solda



START

1

Resistor - Weerstand - Résistance - Widerstand - Resistencia - Motstånd - Vastus - Resistenze



R1, R2 : 100K

(Brown, Black, Yellow) -(Bruin, zwart, Geel) -(Brun, Noir, Jaune) -(Braun, Schwarz, Gelb) -(Brun, Svart, Gul) -(Ruskea, Musta, Keltainen) -(Marrón, Negro, Amarillo) -(Castanho, Preto, Amarelo) -(Marrone, Nero, Giallo)

R3 : 1M

(Brown, Black, Green) -(Bruin, Zwart, Groen) -(Brun, Noir, Vert) -(Braun, Schwarz, Grün) -(Brun, Svart, Grön) -(Ruskea, Musta, Vihreä) -(Marrón, Negro, Verde) -(Castanho, Preto, Verde) -(Marrone, Nero, Verde)

R4 : 10K

(Brown, Black, Orange) -(Bruin, Zwart, Oranje) -(Brun, Noir, Orange) -(Braun, Schwarz, Orange) -(Brun, Svart, Orange) -(Ruskea, Musta, Oranssi) -(Marrón, Negro, Naranja) -(Castanho, Preto, Laranja) -(Marrone, Nero, Aranciato)

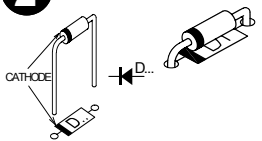
R5, R6 : 1K

(Brown, Black, Red) -(Bruin, Zwart, Rood) -(Brun, Noir, Rouge) -(Braun, Schwarz, Rot) -(Brun, Svart, Röd) -(Ruskea, Musta, Punainen) -(Marrón, Negro, Rojo) -(Castanho, Preto, Encarnado) -(Marrone, Nero, Rosso)

R7 : 220K

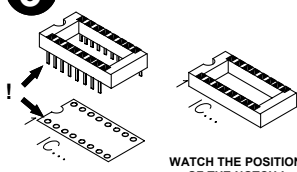
(Red, Red, Yellow) -(Rood, Rood, Geel) -(Rouge, Rouge, Jaune) -(Rot, Rot, Gelb) -(Röd, Röd, Gul) -(Punainen, Punainen, Keltainen) -(Rojo, Rojo, Amarillo) -(Encarnado, Encarnado, Amarelo) -(Rosso, Rosso, Giallo)

2 DIODE



◇ D1 : 1N4007
Watch the polarity !
Att. à la polarité !

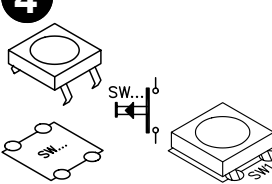
3 IC SOCKET



◇ IC1 : 16P

WATCH THE POSITION OF THE NOTCH !
ATTENTION A LA POSITION DE L'ENCOCHE !

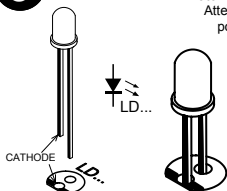
4 PUSHBUTTON



◇ SW1

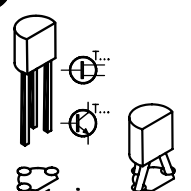
5 LEDs

Watch the polarity !
Attention à la polarité !



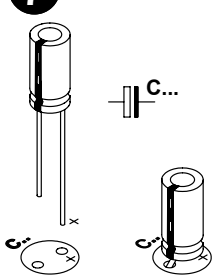
LD1 : red / rood / rouge / rot / röd / punainen / rojo / encarnado / rosso
LD2 : green / groen / vert / grön / grön / vihreä / verde

6 TRANSISTORS



◇ T1 : BC557
◇ T2 : BC547

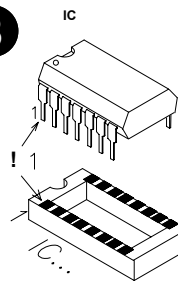
7 ELECTROLYTIC CAPACITORS



Watch the polarity !
Attention à la polarité !

◇ C1 : 22µF
◇ C2 : 22µF
◇ C3 : 1µF

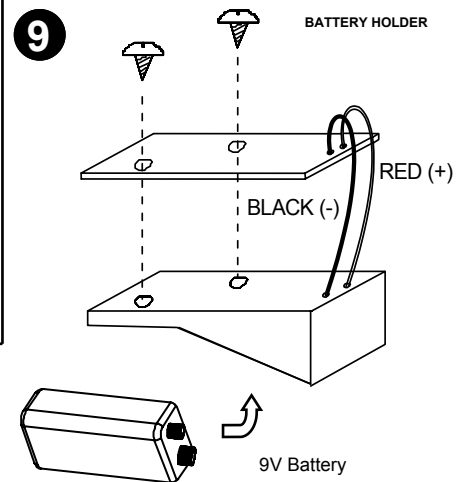
8



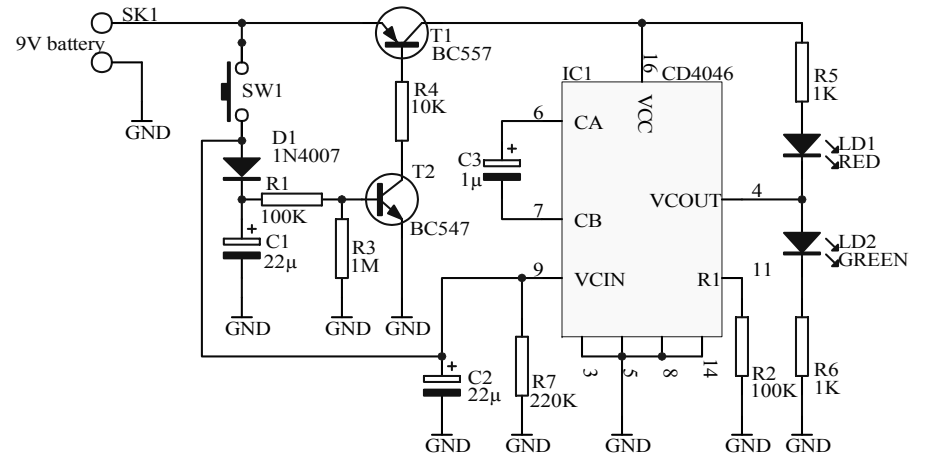
◇ IC1 : CD4046 or eq.

WATCH THE POSITION OF THE NOTCH !
ATTENTION A LA POSITION DE L'ENCOCHE !

9



DIAGRAM



X-ON Electronics

Largest Supplier of Electrical and Electronic Components

Click to view similar products for [Velleman](#) manufacturer:

Other Similar products are found below :

[MK137](#) [MK106](#) [K2622](#) [K/DIODE1](#) [72-6514](#) [MK108](#) [K8072](#) [K2634](#) [80-7352](#) [K/TF300](#) [MK149](#) [HPS140MK2](#) [VM100](#) [MK123](#) [MK144](#)
[MK152](#) [K8086](#) [K/RES-E12](#) [MK190](#) [MK134](#) [K/TRANS1](#) [CD018](#) [K1803](#) [K/RES-E3](#) [MK111](#) [MK103](#) [MK100](#) [OMSB36](#) [K/CAP1](#) [MK109](#)
[MK120](#) [MK135](#) [MK150](#) [MK112](#) [VTHH6](#)