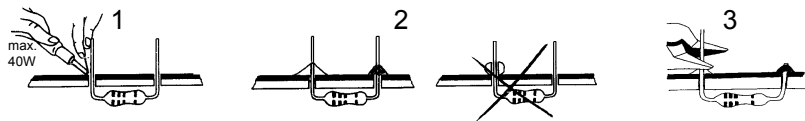


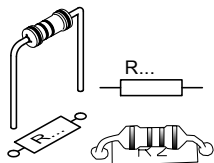
Soldering - Solderen - Soudage - Löten - Soldadura - Lödning - Juottaminen - Saldatura - Solda



START

1

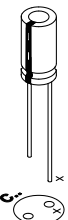
Resistor - Weerstand - Résistance - Widerstand - Resistencia - Motstand - Vastus - Resistenze



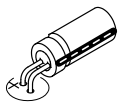
R1 ... R4: 1K	(Brown, Black, Red) - (Bruin, Zwart, Rood) - (Brun, Noir, Rouge) - (Braun, Schwarz, Rot) - (Brun, Svart, Röd) - (Ruskea, Musta, Punainen) - (Marrón, Negro, Rojo) - (Castanho, Preto, Encarnado) - (Marrone, Nero, Rosso)
R5,R6: 82K	(Grey, Red, Orange) - (Grijs, Rood, Oranje) - (Gris, Rouge, Orange) - (Grau, Rot, Orange) - (Grå, Röd, Orange) - (Harmaa, Punainen, Oranssi) - (Gris, Rojo, Naranja) - (Cinzeno, Encarnado, Laranja) - (Grigio, Rosso, Aranciato)
R7,R8: 100K	(Brown, Black, Yellow) - (Bruin, zwart, Geel) - (Brun, noir, Jaune) - (Braun, Schwarz, Gelb) - (Brun, Svart, Gul) - (Ruskea, Musta, Keltainen) - (Marrón, Negro, Amarillo) - (Castanho, Preto, Amarelo) - (Marrone, Nero, Giallo)

2

ELECTROLYTIC CAPACITOR



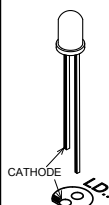
WATCH THE POLARITY!
ATT. À LA POLARITÉ!



C1 ... C4 : 10µF

4

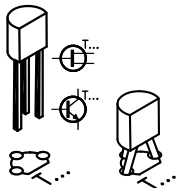
LEDs



- | | |
|-------|--------|
| ◇ LD1 | ◇ LD9 |
| ◇ LD2 | ◇ LD10 |
| ◇ LD3 | ◇ LD11 |
| ◇ LD4 | ◇ LD12 |
| ◇ LD5 | ◇ LD13 |
| ◇ LD6 | ◇ LD14 |
| ◇ LD7 | ◇ LD15 |
| ◇ LD8 | ◇ LD16 |

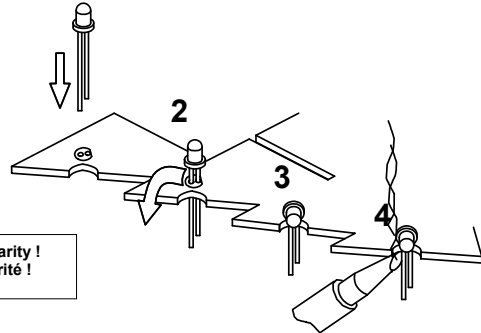
3

TRANSISTOR



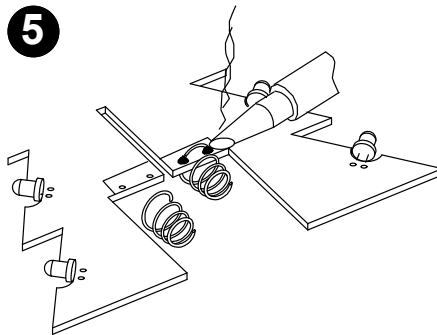
◇ T1 ... T4 : BC547

1



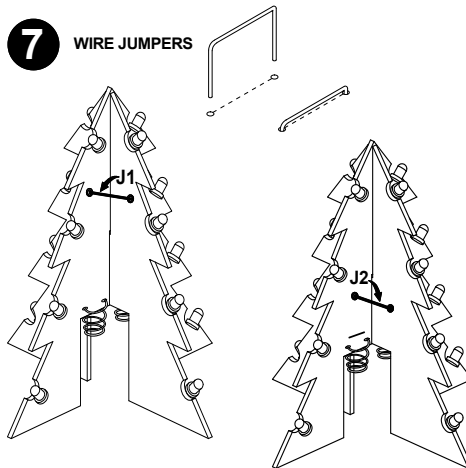
Watch the polarity!
Att. à la polarité!

5

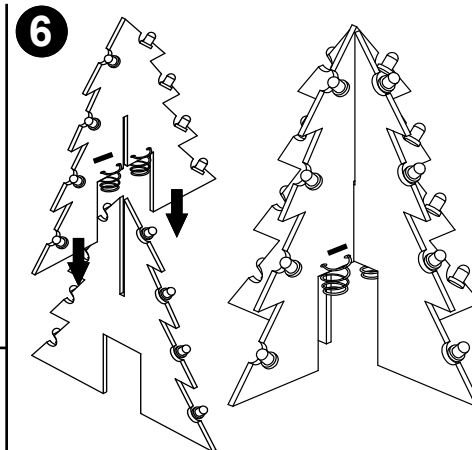


7

WIRE JUMPERS

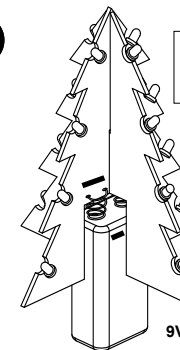


6

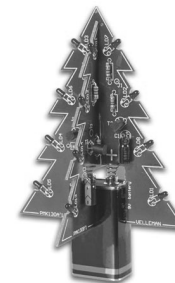
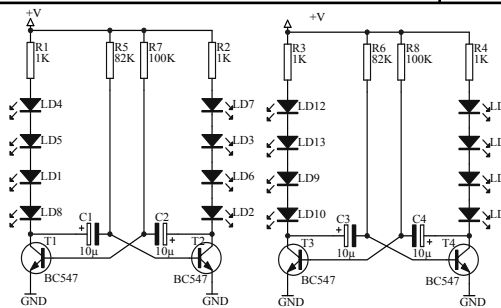


8

Watch the polarity!
Att. à la polarité!



9V Battery



X-ON Electronics

Largest Supplier of Electrical and Electronic Components

Click to view similar products for [Velleman](#) manufacturer:

Other Similar products are found below :

[MK137](#) [MK106](#) [K2622](#) [K/DIODE1](#) [72-6514](#) [MK108](#) [K8072](#) [K2634](#) [80-7352](#) [K/TF300](#) [MK149](#) [HPS140MK2](#) [VM100](#) [MK123](#) [MK144](#)
[MK152](#) [K8086](#) [K/RES-E12](#) [MK190](#) [MK134](#) [K/TRANS1](#) [CD018](#) [K1803](#) [K/RES-E3](#) [MK111](#) [MK103](#) [MK100](#) [OMSB36](#) [K/CAP1](#) [MK109](#)
[MK120](#) [MK135](#) [MK150](#) [MK112](#) [VTHH6](#)