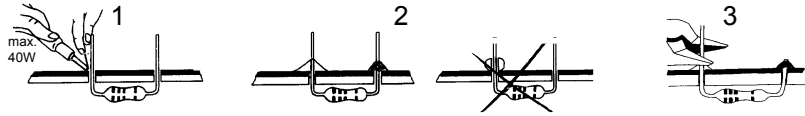


Soldering - Solderen - Soudage - Lötten - Soldadura - Lödning - Juottaminen - Saldatura - Solda



START **1** Resistor - Weerstand - Résistance - Widerstand - Resistencia - Motstand - Vastus - Resistenze

◇ R1, R2 : 2K2	(Red, Red, Red) - (Rood, Rood, Rood) - (Rouge, Rouge, Rouge) - (Rot, Rot, Rot) - (Röd, Röd, Röd) - (Punainen, Punainen, Punainen) - (Rojo, Rojo, Rojo) - (Encarnado, Encarnado, Encarnado) - (Rosso, Rosso, Rosso)
◇ R3 ... R9 : 1K2	(Brown, Red, Red) - (Bruin, Rood, Rood) - (Brun, Rouge, Rouge) - (Braun, Rot, Rot) - (Brun, Röd, Röd) - (Ruskea, Punainen, Punainen) - (Marrón, Rojo, Rojo) - (Castanho, Encarnado, Encarnado) - (Marrone, Rosso, Rosso)
◇ R10 : 470	(Yellow, Purple, Brown) - (Geel, Paars, Bruin) - (Jaune, Violet, Brun) - (Gelb, Violet, Braun) - (Gul, Lila, Brun) - (Keltainen, Purppura, Ruskea) - (Amarillo, Morado, Marrón) - (Amarelo, Violeta, Castanho) - (Giallo, Viola, Marrone)
◇ R11 ... R15 : 100K	(Brown, Black, Yellow) - (Bruin, zwart, Geel) - (Brun, noir, Jaune) - (Braun, Schwarz, Gelb) - (Brun, Svart, Gul) - (Ruskea, Musta, Keltainen) - (Marrón, Negro, Amarillo) - (Castanho, Preto, Amarelo) - (Marrone, Nero, Giallo)

2 Diode
Watch the polarity!
Attention à la polarité!

3 Zener-diode
Watch the polarity!
Attention à la polarité!

4 IC-socket & IC
WATCH THE POSITION OF THE NOTCH!
ATTENTION À LA POSITION DE L'ENCOCHE!

5 Push buttons

6 Quartz crystal

◇ D1 : 1N418	◇ ZD1 ... ZD4 : 5V1	◇ IC1 : 14p	◇ SW1 : Restart (player 1)	◇ X1 : 10MHz
◇ D2 : 1N4007		◇ IC1 : 1121PAL or 121NTSC (programmed PIC16C505)	◇ SW2 : Up (player 1)	
			◇ SW3 : Down (player 1)	
			◇ SW4 : Up (player 2)	
			◇ SW5 : Down (player 2)	

7 Trimmer

8 Capacitors

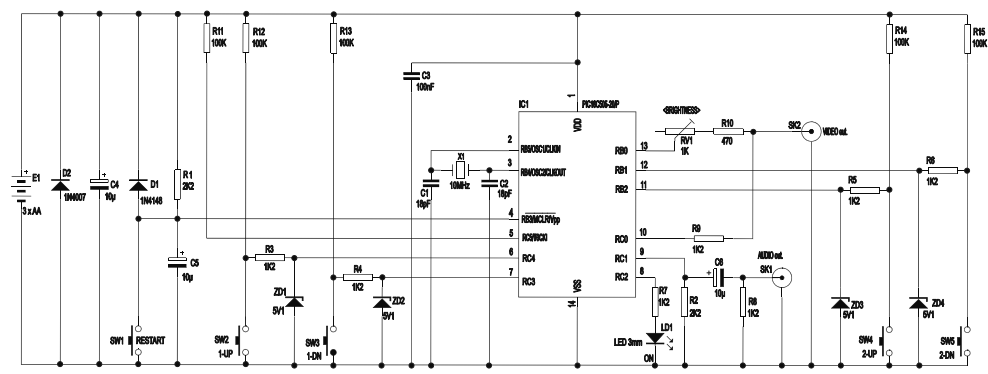
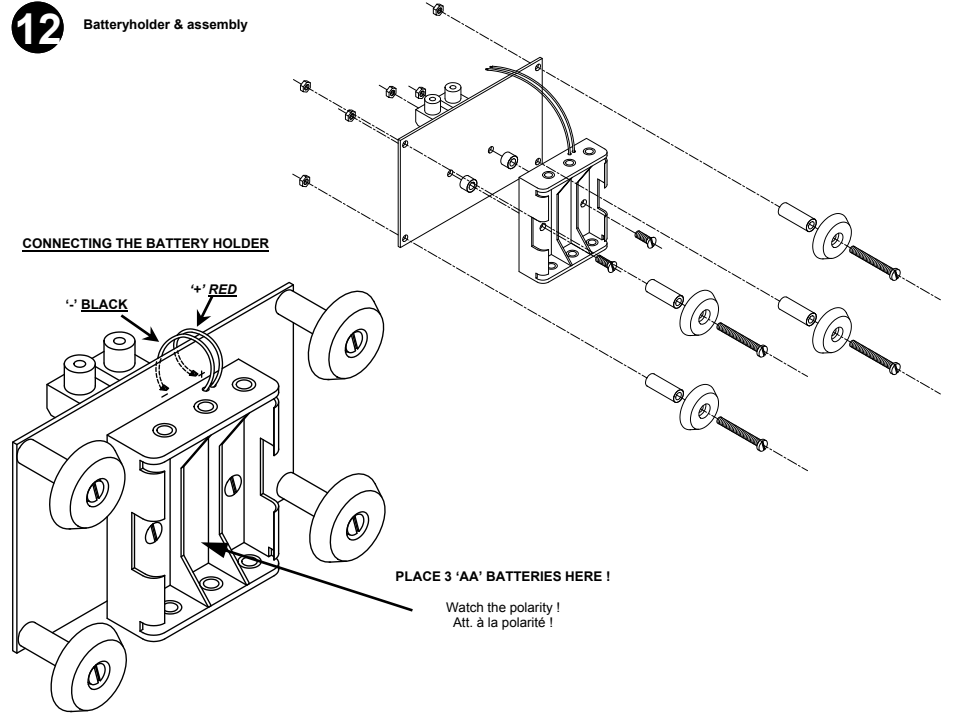
9 Electrolytic capacitor
Watch the polarity!
Attention à la polarité!

10 LED
Watch the polarity!
Attention à la polarité!

11 Cinch connectors

◇ RV1 : 1K	◇ C1 : 18pF (18)	◇ C2 : 18pF (18)	◇ C3 : 100nF (104)	◇ C4 ... C6 : 10µF	◇ LD1:3mm RED	◇ SK1 : AUDIO OUT	◇ SK2 : VIDEO OUT
------------	------------------	------------------	--------------------	--------------------	---------------	-------------------	-------------------

12 Batteryholder & assembly



MK1211_rev.1

X-ON Electronics

Largest Supplier of Electrical and Electronic Components

Click to view similar products for [Velleman](#) manufacturer:

Other Similar products are found below :

[MK137](#) [MK106](#) [K2622](#) [K/DIODE1](#) [72-6514](#) [MK108](#) [K8072](#) [K2634](#) [80-7352](#) [K/TF300](#) [MK149](#) [HPS140MK2](#) [VM100](#) [MK123](#) [MK144](#)
[MK152](#) [K8086](#) [K/RES-E12](#) [MK190](#) [MK134](#) [K/TRANS1](#) [CD018](#) [K1803](#) [K/RES-E3](#) [MK111](#) [MK103](#) [MK100](#) [OMSB36](#) [K/CAP1](#) [MK109](#)
[MK120](#) [MK135](#) [MK150](#) [MK112](#) [VTHH6](#)