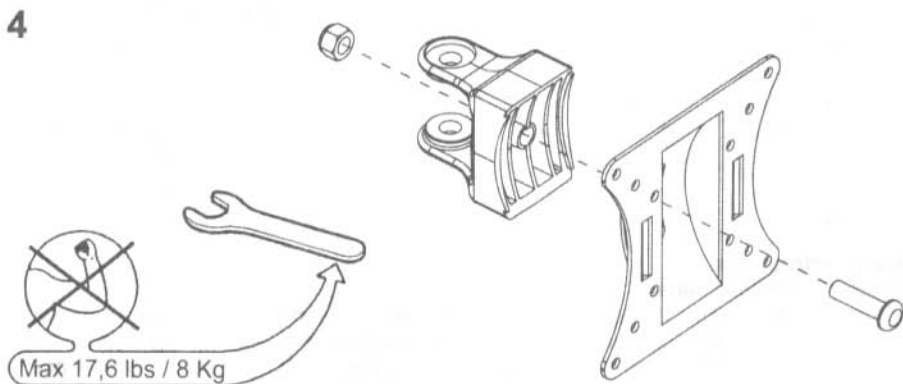
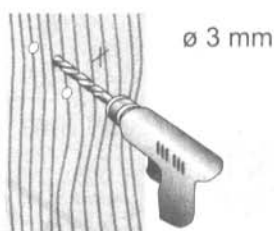
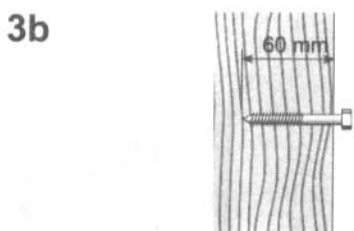
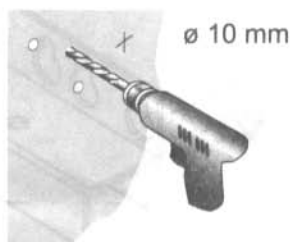
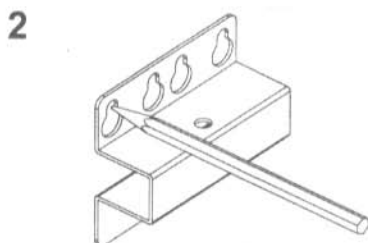
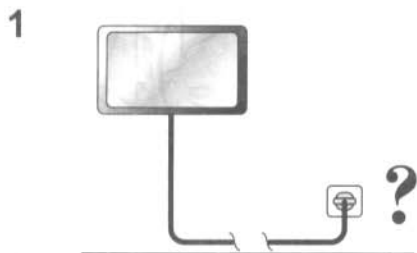
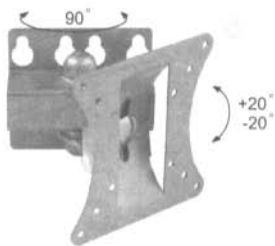


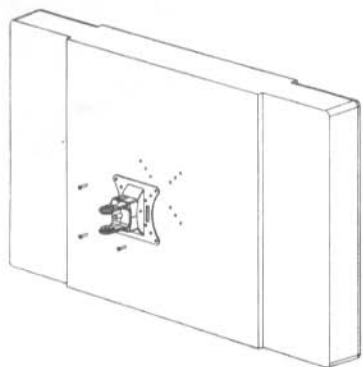
82-11795

 20kg (44 lbs) max.

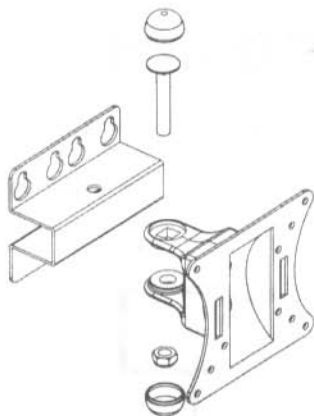
 10 - 30" (25 - 74 cm) max.



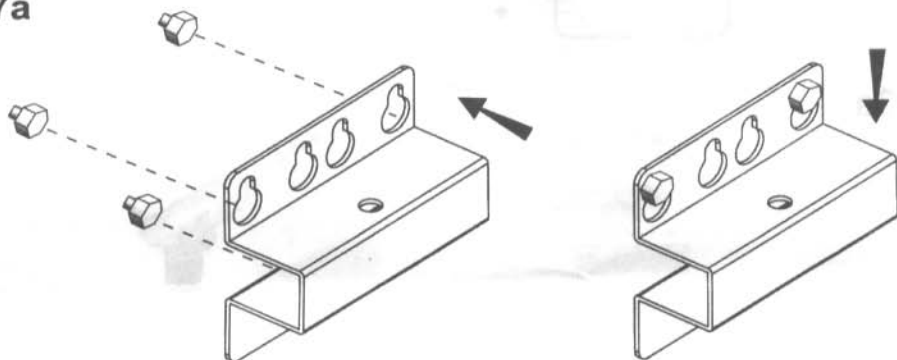
5



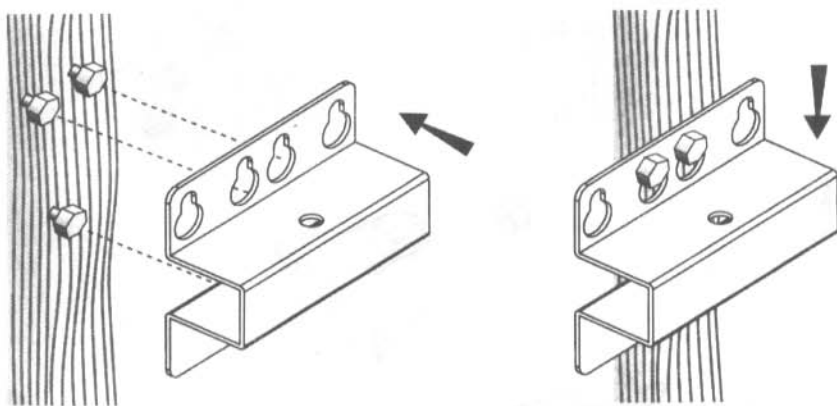
6



7a



7b



Safety instructions

- Never fit defective parts
- Only suitable for walls made from: Stone, concrete, hollow blocks, solid wood or wood supports. If mounting on wood, do not use any raw plugs. Pre-drill to a depth of 2mm. The fixing material supplied is only suitable for the types of wall listed above. Walls made from other materials will require different fixing materials.
- If you are uncertain about the nature of your wall, consult an expert.

X-ON Electronics

Largest Supplier of Electrical and Electronic Components

Click to view similar products for [MG ELECTRONICS](#) manufacturer:

Other Similar products are found below :

[M-50H](#) [FMS-100](#) [8616-25ML](#) [AVC-25](#) [8616-3ML](#) [T-65BT](#) [MGT-1220](#) [MGT 1640](#) [MGT2412DV](#) [BT-2](#) [MGT 2420](#) [ST-122A](#) [ST-241A](#)
[MGT 2440](#) [M132](#)