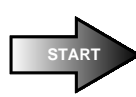
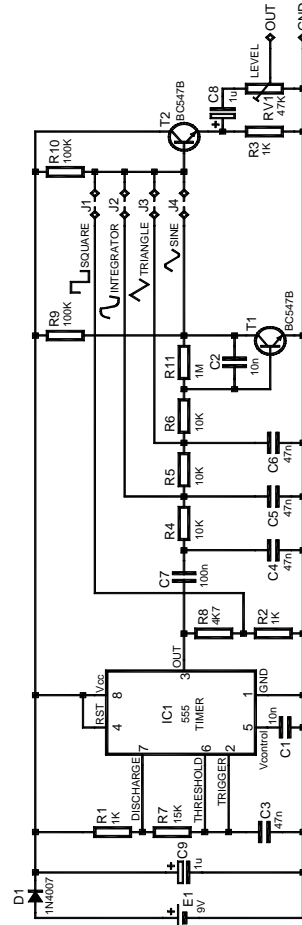
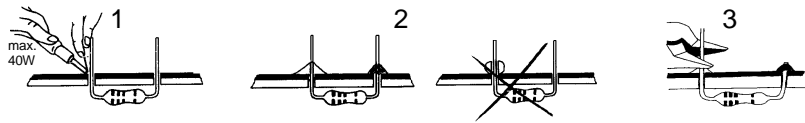


Soldering - Solderen - Soudage - Löten - Soldadura - Lödning - Juottaminen - Saldatura - Solda



1 Resistor - Weerstand
Résistance - Widerstand

◇R1: 1K (Brown, Black, Red) - (Bruin, Zwart, Rood) - (Brun, Noir, Rouge) - (Braun, Schwarz, Rot) - (Brun, Svart, Röd) - (Ruskea, Musta, Punainen) - (Marrón, Negro, Rojo) - (Castanho, Preto, Encarnado) - (Marrone, Nero, Rosso)
 ◇R2: 1K
 ◇R3: 1K
 ◇R4: 10K (Brown, Black, Orange) - (Bruin, Zwart, Oranje) - (Brun, noir, Orange) - (Braun, Schwarz, Orange) - (Brun, Svart, Orange) - (Ruskea, Musta, Oranssi) - (Marrón, Negro, Naranja) - (Castanho, Preto, Laranja) - (Marrone, Nero, Aranciato)
 ◇R5: 10K
 ◇R6: 10K
 ◇R7: 15K (Brown, Green, Orange) - (Bruin, Groen, Oranje) - (Brun, Vert, Orange) - (Braun, Grün, Orange) - (Brun, Svart, Orange) - (Ruskea, Vihreä, Oranssi) - (Marrón, Verde, Naranja) - (Castanho, Verde, Laranja) - (Marrone, Verde, Aranciato)
 ◇R8: 4K7 (Yellow, Purple, Red) - (Geel, Paars, Rood) - (Jaune, Violet, Rouge) - (Gelb, Violet, Rot) - (Gul, Lila, Röd) - (Keltainen, Purppura, Punainen) - (Amarillo, Morado, Rojo) - (Amarelo, Violeta, Encarnado) - (Giallo, Viola, Rosso)
 ◇R8: 4K7 (Brown, Black, Yellow) - (Bruin, zwart, Geel) - (Brun, noir, Jaune) - (Braun, Schwarz, Gelb) - (Brun, Svart, Gul) - (Ruskea, Musta, Keltainen) - (Marrón, Negro, Amarillo) - (Castanho, Preto, Amarelo) - (Marrone, Nero, Giallo)
 ◇R8: 4K7 (Brown, Black, Green) - (Bruin, zwart, Groen) - (Brun, noir, Vert) - (Braun, Schwarz, Grün) - (Brun, Svart, Svar)

2 Diode - Diodo - Diod

◇D1: 1N4007
 Watch the polarity!
 Att. la polarité!

3 IC Socket - IC voet - Support de CI - IC Fuß - Soproto del CI - IC Sokkel - Mikropiirkanta - IC sokkel - Zoccolo IC

◇IC1: 8P
 ◇IC1: 555

4 IC - CI

◇IC1: 555

5 Transistor

◇T1: BC547

6 Capacitor - Condensateur

◇C1: 10nF (103)
 ◇C2: 10nF (103)
 ◇C3: 47nF (473)
 ◇C4: 47nF (473)
 ◇C5: 47nF (473)

7 ELCO

◇C8: 1µF
 ◇C9: 1µF
 Watch the polarity!

8 -Trimpotentiometer - Potentiomètre de réglage - Potentiómetro de regulación - Trimmerpotentiometri - Trimmerpotentiometer

◇RV1: 47K (50K)

9 - Jumper - Steckrücken - Jumperilla

◇J1
 ◇J2
 ◇J3

10 Pin

◇GND

11

12

VELLEMAN KIT NV
 Legen Heirweg 33
 9890 Gavere
 Belgium
 Email: support@velleman.be

X-ON Electronics

Largest Supplier of Electrical and Electronic Components

Click to view similar products for [Velleman](#) manufacturer:

Other Similar products are found below :

[MK137](#) [MK106](#) [K2622](#) [K/DIODE1](#) [72-6514](#) [MK108](#) [K8072](#) [K2634](#) [80-7352](#) [K/TF300](#) [MK149](#) [HPS140MK2](#) [VM100](#) [MK123](#) [MK144](#)
[MK152](#) [K8086](#) [K/RES-E12](#) [MK190](#) [MK134](#) [K/TRANS1](#) [CD018](#) [K1803](#) [K/RES-E3](#) [MK111](#) [MK103](#) [MK100](#) [OMSB36](#) [K/CAP1](#) [MK109](#)
[MK120](#) [MK135](#) [MK150](#) [MK112](#) [VTHH6](#)