

Ultimate Connector with Integral Cable Clamp Cap

Type OSTW Standard Size with Cable Clamp Cap

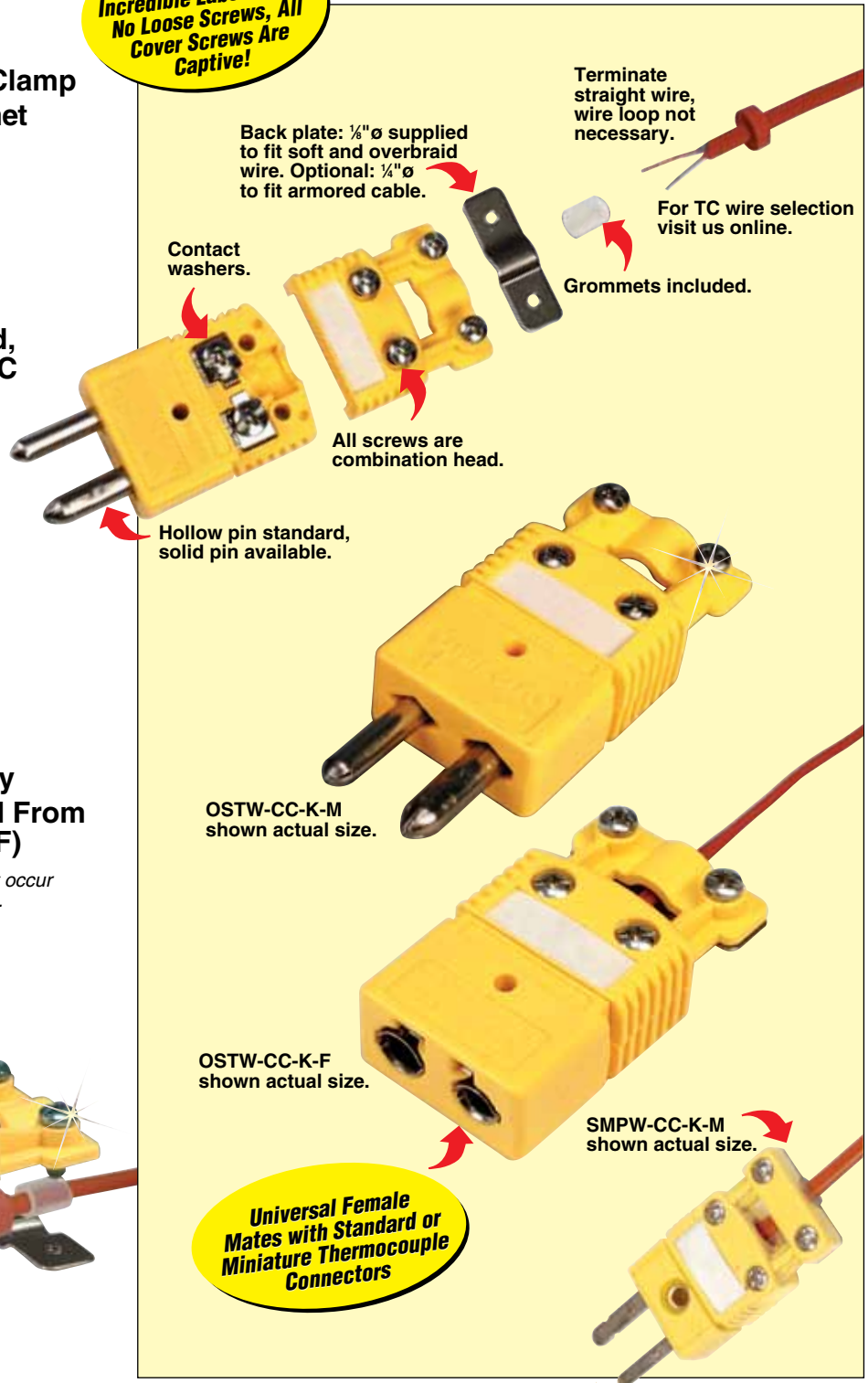
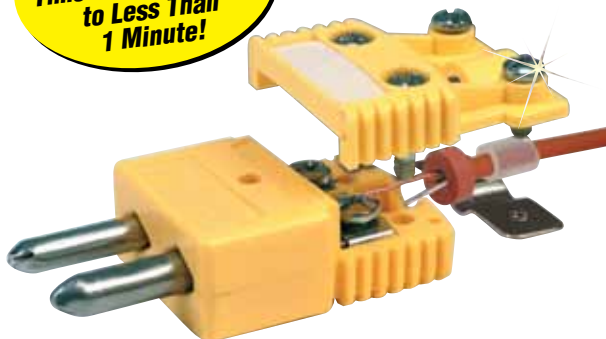
OSTW-CC Series

- ✓ Integral Cap and Cable Clamp
- ✓ Strain Relief With Grommet
- ✓ Pull Test High Rating
- ✓ Captive Cover and Clamp Screws
- ✓ Wire Termination Up to Size 14 AWG
- ✓ 1/8" Back Plate (Supplied)
Accepts: Stranded, Solid, TWSH, Overbraid, or RSC Coil Cord Wire
- ✓ 1/4" Back Plate (Optional)
Clamps to 8.2 mm (0.325") OD
- ✓ Contact Washers for Quick Connect Wire Terminations—No Wire Loop Required
- ✓ Internal Wire Divider
- ✓ Write-On Window
- ✓ Combination Phillips/Slot Screws
- ✓ 100% Top Side Assembly
- ✓ Glass Filled Nylon Rated From -29 to 180°C (-20 to 356°F)

Note: Minor discoloration of connector may occur between 150°C (302°F) and 180°C (356°F). Electrical properties are not affected.

**Incredible Labor Saver!
No Loose Screws, All
Cover Screws Are
Captive!**

**Reduce Assembly
Time From 3 Minutes
to Less Than
1 Minute!**

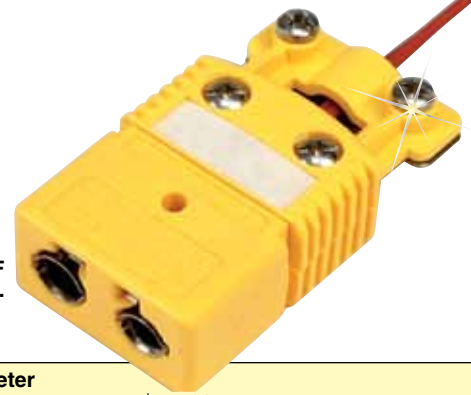


OSTW-CC-K-M
shown actual size.



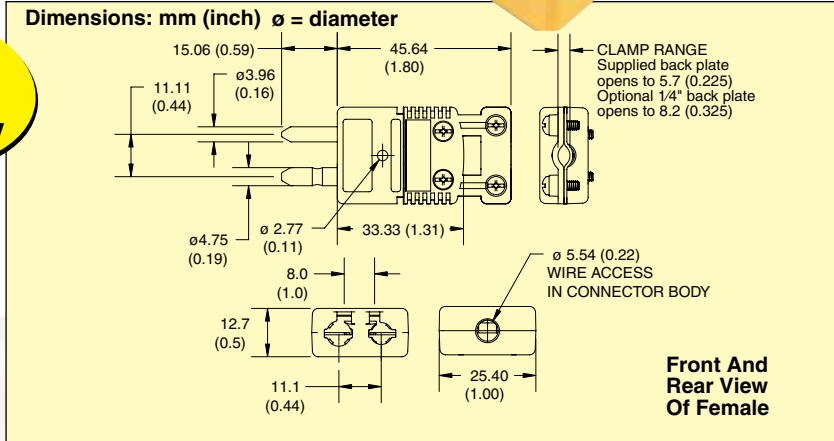
**Pull Test
Highest Rating**

OSTW-CC-K-F
shown actual size.



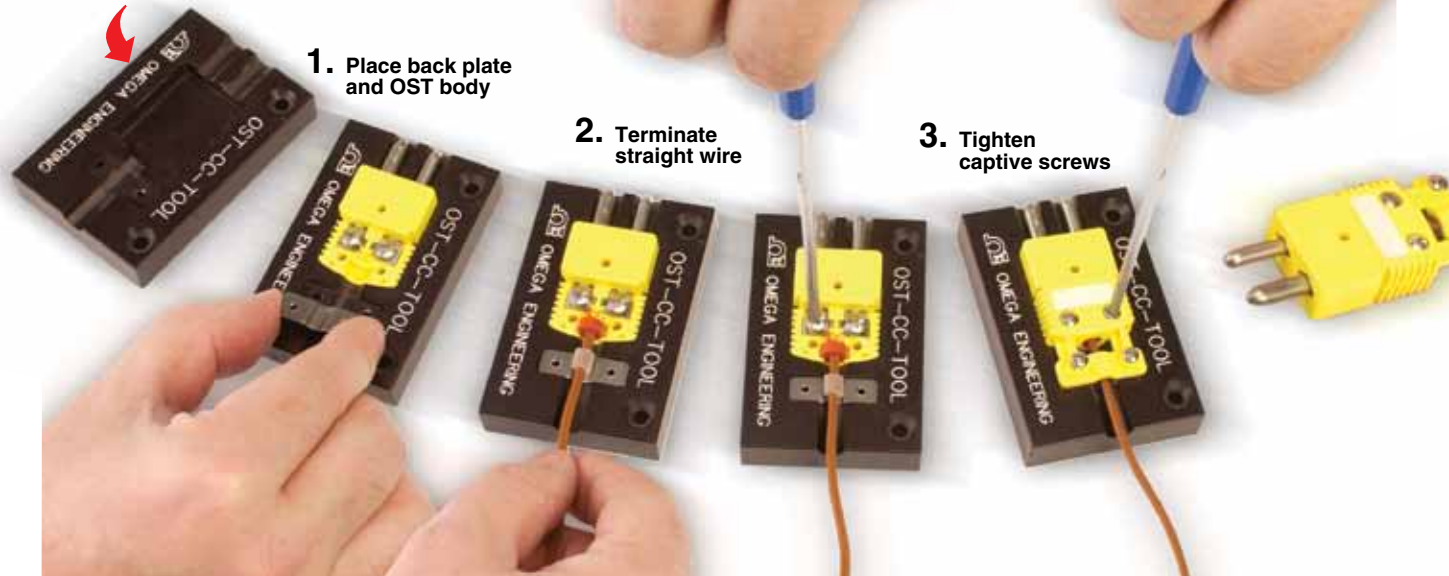
**Side Load
Equal to
Stainless Steel**

Discount Schedule	
1-10	Net
11-49	5%
50-99	10%
100-999	15%
1000-4999	20%
5000 and over.....	25%



Quick Assembly Tool!

OST-CC-TOOL shown smaller than actual size.



Alloy Code	Compensating Alloy Used in Connector		ANSI Color Code	Glass-Filled Nylon Model Number	
	(+)	(-)		Male*	Uni-Female
K	CHROMEGLA	ALOMEGA	Yellow	OSTW-CC-K-M	OSTW-CC-K-F
T	Copper	Constantan	Blue	OSTW-CC-T-M	OSTW-CC-T-F
J	Iron	Constantan	Black	OSTW-CC-J-M	OSTW-CC-J-F
E	CHROMEGLA	Constantan	Purple	OSTW-CC-E-M	OSTW-CC-E-F
R/S	Copper	RNX/SNX	Green	OSTW-CC-R/S-M	OSTW-CC-R/S-F
C	CPX	CNX	Red	OSTW-CC-C-M	OSTW-CC-C-F
U	Copper	Copper	White	OSTW-CC-U-M	OSTW-CC-U-F
N	OMEGA-P	OMEGA-N	Orange	OSTW-CC-N-M	OSTW-CC-N-F

* To order solid pin male connectors, add suffix "-S" to the model number for additional cost.
Ordering Example: OSTW-CC-K-M, clamp cap, Type K, hollow pin male.

X-ON Electronics

Largest Supplier of Electrical and Electronic Components

Click to view similar products for [Omega manufacturer](#):

Other Similar products are found below :

[DPG409-100DWU](#) [OM-DAQXL-1-NA](#) [CASS-116U-12](#) [DH-1-20-J-12](#) [GG-J-24-SLE-1000](#) [HPC-AU-P](#) [HPC-IR-P](#) [JMQSS-062U-6](#) [KHSS-18G-RSC-12](#) [KHXL-18G-RSC-12](#) [KMQIN-125U-6](#) [KMQXL-125G-12](#) [KMQXL-125U-6](#) [KQSS-18G-6](#) [KQXL-14U-36](#) [KQXL-18G-12](#) [KQXL-18U-12](#) [NB1-CAXL-14U-12](#) [NB3-CAXL-14U-18](#) [P-M-1/10-1/4-6-0-P-3](#) [PX309-015A5V](#) [PX309-1KGI](#) [PX309-10KGV](#) [PX309-100AI](#) [PX309-100AV](#) [PX309-100GI](#) [PX309-100GV](#) [PX309-3KG5V](#) [PX319-V050G5V](#) [PX319-005AI](#) [PX319-050A5V](#) [PX319-050GI](#) [PX319-10KGI](#) [PX319-100GV](#) [PX319-2KGI](#) [PX319-200AV](#) [PX319-200A5V](#) [PX319-300G5V](#) [PX319-5KG5V](#) [PX319-500G5V](#) [PX319-7.5KGI](#) [PX319-7.5KG5V](#) [PX329-1KG5V](#) [PX329-10KGI](#) [PX329-2KGI](#) [PX409-015DWUI](#) [PX409-015VUSBH](#) [PX409-015VV](#) [PX409-050A5V](#) [PX409-10WDWU5V](#)