

Jack Panels

With Color-Coded Standard Connectors

SJP Series

- ✓ Universal Female Connector
- ✓ Fully Assembled
- ✓ Snap-In Jacks
- ✓ Numbered Circuits
- ✓ Easy Installation
- ✓ Convenient
- ✓ Rugged 2.3 mm (0.09") Anodized Aluminum Panels

OMEGA's standard size jack panels are fabricated using snap-in SJP connectors in a 2.3 mm (0.09") aluminum panel.

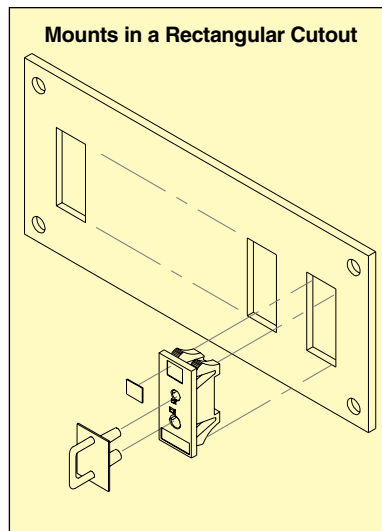
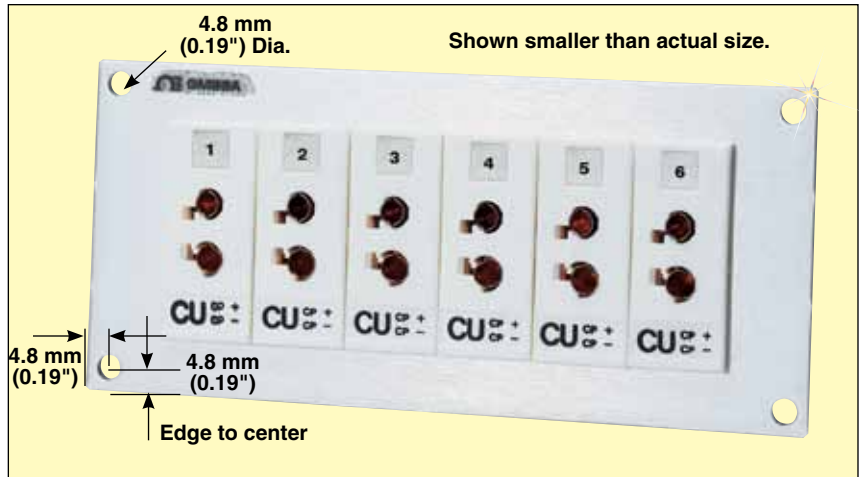
The snap-in jacks contain two female, collet-type, spring-loaded terminals that will accept any standard or miniature male thermocouple connector. They accommodate wires up to 14 AWG and are made from alloys to match ANSI thermocouple grade calibrations. The connector bodies are molded of high-impact plastic and have a maximum service temperature of 205°C (401°F). The panels are machined from rugged 2.3 mm (0.09") aluminum with a brushed finish. Clear anodizing adds durability and corrosion resistance.

Because of the infinite variety of panel sizes and the different thermocouple calibrations, we are not able to list prices. Please consult the Sales Department for prices on any configuration not listed.

Specify number of rows, total number of jacks and calibration.

NOTE: Male plugs can be supplied in place of female jacks on all OMEGA® panels, if desired.

Consult Sales Department for information on custom, color-coded anodized panels.



Dust Caps:
SPJ-CAP-12, pkg of 12



Price and Quantity Discount Information

Prices available at omega.com for J, K, T, E, R, S, N and U calibrations.

Standard size panel jacks, model number **SJP** Calibrations J, K, T, E, R, S, N and U. Tungsten alloy types G, C and D. Use connector quantity discount schedule below. Blank panel prices are not discounted.

| Discount Schedule | |
|--------------------|------------|
| 1-10 | Net |
| 11-49 | 5% |
| 50-99 | 10% |
| 100-999 | 15% |
| 1000-4999 | 20% |
| 5000 and over..... | 25% |

Hole Spacing:

4.8 mm (0.19") in on both sides,
4.8 mm (0.19") dia. hole for #8 screw

Note:

All OMEGA® SJP jack panels are assembled at no extra cost!

To Order Visit omega.com/sjp for Pricing and Details

| Circuits Per Row | Dimensions mm (inch) | 1 Row 67 H (2.63) | 2 Rows 113 H (4.38) | 3 Rows 168 H (6.63) | 4 Rows 203 H (8.00) |
|------------------|----------------------|----------------------|------------------------|------------------------|------------------------|
| 6 | 146 L (5.75) | SJP1-06-(*) | SJP2-12-(*) | SJP3-18-(*) | SJP4-24-(*) |
| 12 | 260 L (10.25) | SJP1-12-(*) | SJP2-24-(*) | SJP3-36-(*) | SJP4-48-(*) |
| 18 | 375 L (14.75) | SJP1-18-(*) | SJP2-36-(*) | SJP3-54-(*) | SJP4-72-(*) |

*Indicate calibration: J, K, T, E, R, S, N or U.

Ordering Example: SJP2-36-K, double row color-coded jack panel with Type K connector.

X-ON Electronics

Largest Supplier of Electrical and Electronic Components

Click to view similar products for [Omega manufacturer](#):

Other Similar products are found below :

[DPG409-100DWU](#) [OM-DAQXL-1-NA](#) [CASS-116U-12](#) [DH-1-20-J-12](#) [GG-J-24-SLE-1000](#) [HPC-AU-P](#) [HPC-IR-P](#) [JMQSS-062U-6](#) [KHSS-18G-RSC-12](#) [KHXL-18G-RSC-12](#) [KMQIN-125U-6](#) [KMQXL-125G-12](#) [KMQXL-125U-6](#) [KQSS-18G-6](#) [KQXL-14U-36](#) [KQXL-18G-12](#) [KQXL-18U-12](#) [NB1-CAXL-14U-12](#) [NB3-CAXL-14U-18](#) [P-M-1/10-1/4-6-0-P-3](#) [PX309-015A5V](#) [PX309-1KGI](#) [PX309-10KGV](#) [PX309-100AI](#) [PX309-100AV](#) [PX309-100GI](#) [PX309-100GV](#) [PX309-3KG5V](#) [PX319-V050G5V](#) [PX319-005AI](#) [PX319-050A5V](#) [PX319-050GI](#) [PX319-10KGI](#) [PX319-100GV](#) [PX319-2KGI](#) [PX319-200AV](#) [PX319-200A5V](#) [PX319-300G5V](#) [PX319-5KG5V](#) [PX319-500G5V](#) [PX319-7.5KGI](#) [PX319-7.5KG5V](#) [PX329-1KG5V](#) [PX329-10KGI](#) [PX329-2KGI](#) [PX409-015DWUI](#) [PX409-015VUSBH](#) [PX409-015VV](#) [PX409-050A5V](#) [PX409-10WDWU5V](#)