

## Indoor 300-lb Electromagnetic Lock E-941SA-300RQ *Mounting brackets available*

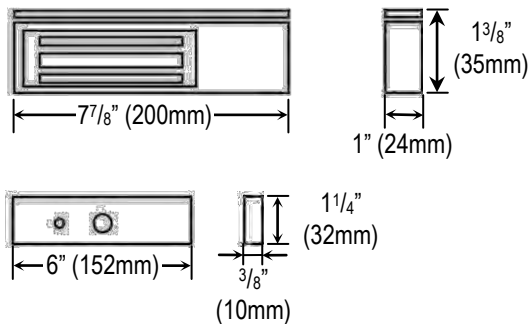
### Features:

- ▶ Holding force: 300-lb (136 kg).
- ▶ Perfect for cabinets, small enclosures, and pedestrian gates.
- ▶ Detachable mounting bracket included.
- ▶ Anodized aluminum housing (US 28).
- ▶ No residual magnetism.
- ▶ MOV surge protection.
- ▶ Complete mounting hardware included.
- ▶ RoHS compliant.
- ▶ Selectable 12/24 VDC operation
- ▶ “L,” “Z,” and “U” brackets available for easy mounting.



Complete line of specialty mounting brackets available for the E-941SA-300RQ:

### Dimensions:



**E-941S-300/LQ**  
(includes “L” bracket)

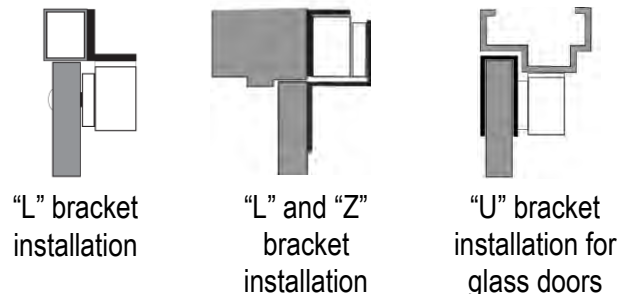
**E-941S-300/ZQ**  
(includes “L” and “Z” brackets)

**E-941S-300/UQ**  
(includes “L,” “Z,” and “U” brackets)

### Specifications:

Operating voltage	12 or 24 VDC±10% (Default 12VDC)	
Current draw	12VDC	420mA@12VDC
	24VDC	210mA@24VDC
Coil resistance	57Ω±10% per coil	
Operating temperature	14°~131° F (-10°~55° C)	
Weight	3-lb 5-oz (1.5kg)	

### Sample Installations:



“L” bracket installation

“L” and “Z” bracket installation

“U” bracket installation for glass doors

## **X-ON Electronics**

Largest Supplier of Electrical and Electronic Components

*Click to view similar products for [SECO-LARM](#) manufacturer:*

Other Similar products are found below :

[SS-090-2H1](#) [ST-2406-5A](#) [SL-1301-BAQ/C](#) [SA-027WQ](#) [SD-7202GC-PT](#) [SL-1301-BAQ/B](#) [SM-4105-LQ/B](#) [82-12781](#) [E-936-S45RRGQ](#) [SM-4103-TQ/W](#) [E-941SA-1200](#) [SD-7201GCPE1Q](#) [SK-990AQ](#) [SS-090-2H0](#) [SM-226R-3Q](#) [SD-7202GC-PEQ](#) [E-941SA-300RQ](#) [SM-4104-TQ/W](#) [SM-205Q/BR](#) [SR-1212-C2ALQ](#) [SM-4601-LQ](#) [SA-025Q](#) [SL-126Q/C](#) [SM-200Q/BR](#) [CA-1615-06LQ](#) [SS-074Q/BG](#) [CA-1515Q](#) [SM-4201-LQ](#) [SK-91ERSD](#) [SM-4303-TQ/W](#) [SK-1011-SDQ](#) [SM-216Q/GY](#) [NE-SE01-020Q](#) [CA-1610-3FLQ](#) [NJ-P101M-PQ](#) [SM-226RQ](#) [SS-073Q](#) [SL-126Q/R](#) [SL-126Q/A](#) [SL-1312-SA/R](#) [SL-126Q/B](#) [SM-204Q/W](#) [SM-207-5Q/BR](#) [SM-4102-TQ/W](#) [SM-4301-TQW](#) [CA-1616Q](#) [SM-4601-L3Q](#) [SL-1301-BAQ/R](#) [SM-226LQ](#) [SM-226L-3Q](#)