

SECO-LARM®

SM-226R WIDE - GAP (OVERHEAD DOOR MOUNT)



49J5
BP3821

SM-226R: UL-Listed. N.O. Contact with Round-backed Aluminum Magnet Housing.

ALARM CIRCUIT: For closed circuit alarm systems only.

REED SWITCH: Gold under-plating with DEACTIVATED RHODIUM outer-plating. **SECO-LARM** contacts have a unique RHODIUM plating which has gone through a special oxygen treatment to DEACTIVATE the surface, thus eliminate the absorption of organic impurities, polymer growth during operation, and the possibility of contact freezing.

SWITCH HOUSING: Weatherproof die-cast aluminum constructed for surface-mounting on garage floor; able to withstand heavy vehicle pressure without damage. The switch is safely enclosed in an epoxy compound. A 24" flexible armored cable gives complete protection to the switch wiring.

MAGNET: Extra-strength Alnico 5 magnet allows a 2-3/4" operating gap.

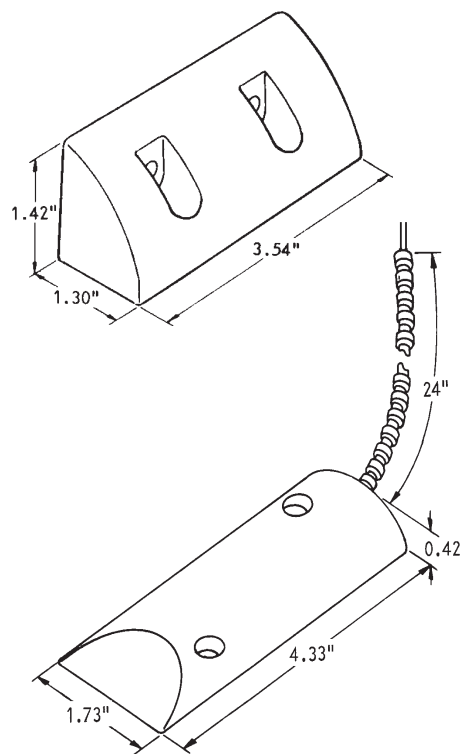
MAGNET HOUSING/MOUNTING: Magnet is enclosed in an epoxy compound inside a round-backed aluminum housing which mounts directly to the garage door. The special shape discourages using the housing as a foothold when closing the door and offers no projecting edges to catch when the door is raised.

CONTACT LIFETIME: 50 million cycles.

RATING: 0.1Amp./100VDC (max.)
1Amp./10VDC (max.)
10W (max.)

TEMPERATURE: -15°F to 160°F
(-25°C to 70°C).

On wood surfaces the magnet housing shall be installed at least 1/4" in. from the switch housing to comply with UL 681 Installation requirements.



PRODUCT INFO.
SM-226R
(OVERHEAD DOOR MOUNT)

X-ON Electronics

Largest Supplier of Electrical and Electronic Components

Click to view similar products for [SECO-LARM](#) manufacturer:

Other Similar products are found below :

[SS-090-2H1](#) [ST-2406-5A](#) [SL-1301-BAQ/C](#) [SA-027WQ](#) [SD-7202GC-PT](#) [SL-1301-BAQ/B](#) [SM-4105-LQ/B](#) [82-12781](#) [E-936-S45RRGQ](#) [SM-4103-TQ/W](#) [E-941SA-1200](#) [SD-7201GCPE1Q](#) [SK-990AQ](#) [SS-090-2H0](#) [SM-226R-3Q](#) [SD-7202GC-PEQ](#) [E-941SA-300RQ](#) [SM-4104-TQ/W](#) [SM-205Q/BR](#) [SR-1212-C2ALQ](#) [SM-4601-LQ](#) [SA-025Q](#) [SL-126Q/C](#) [SM-200Q/BR](#) [CA-1615-06LQ](#) [SS-074Q/BG](#) [CA-1515Q](#) [SM-4201-LQ](#) [SK-91ERSD](#) [SM-4303-TQ/W](#) [SK-1011-SDQ](#) [SM-216Q/GY](#) [NE-SE01-020Q](#) [CA-1610-3FLQ](#) [NJ-P101M-PQ](#) [SM-226RQ](#) [SS-073Q](#) [SL-126Q/R](#) [SL-126Q/A](#) [SL-1312-SA/R](#) [SL-126Q/B](#) [SM-204Q/W](#) [SM-207-5Q/BR](#) [SM-4102-TQ/W](#) [SM-4301-TQW](#) [CA-1616Q](#) [SM-4601-L3Q](#) [SL-1301-BAQ/R](#) [SM-226LQ](#) [SM-226L-3Q](#)