



NEW Low noise 3U Heat Extraction Units are designed to be fitted into the front or back of a 19-inch rack to suck hot air out of an enclosure. As hot air rises the best results will be achieved by mounting them at the top of the cabinet.

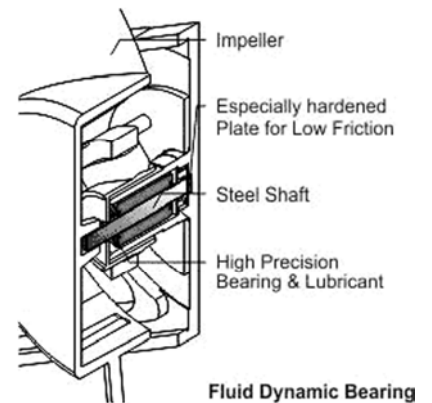
A DC-DC link socket is provided, so two or more units can be linked together; a *higher power PSU* must be used.

Each extractor can also be controlled by a CRC-TEMP thermal sensor.

A washable dust filter panel is also available as an accessory.

Technical Specifications

- Low Noise **22.5dBA** (0.3 Sone)
- 200CFM (336m³/h) @1,350RPM
- High Static Pressure
- 2 x 9 Bladed 120mm Fans
- 12V DC - 500mA
- 2 x DC In/Out Sockets
- Temperature Sensor Socket
- DC in/out sockets
- 500mA world wide universal PSU supplied
- Mounting Holes align with EMS enclosure range
- Dimensions (OD) 483mm x 133.4mm x 55mm (19" x 5¼" x 2¼")
- Combined Weight 1.5Kgs
- Fluid Bearings = 2 Year Limited Warrantee



The life span of these Swiss Designed fans has been extended with the use of a Japanese Dual Ball Bearing bush & fluid giving continuous operation 24/7 without compromise. Dust and high temperatures have less effect than standard bearings - the perfect choice for reliability. The fans life span is up to 5 times longer than comparative models.

IF NOT USING THE DUST FILTER PANEL REGULAR MONTHLY CLEANING OF THE FAN BLADES TO REDUCE ANY DEPOSIT BUILD UP IS ADVISED USE A SMALL PAINT BRUSH **DO NOT USE AN AIR BLOWER WITHOUT STOPPING THE BLADES**



Thermal Control

A thermal sensor accessory, the **CRC-TEMP** can be Plugged into the TEMP socket. It is set to operate at 40° and will reset at 30°, + or - 2°.

Using the acrylic adhesive pad, it should be attached to an area where the sensor can pick up the ambient temperature of the equipment being cooled, and **NOT** directly to the main heat source.



CRC-TEMP

Power Supply

The World Wide Universal PSU 12V DC 500A supply that is supplied to power these 2 Fans.



penn-ELCOM®

X-ON Electronics

Largest Supplier of Electrical and Electronic Components

Click to view similar products for [Penn Elcom](#) manufacturer:

Other Similar products are found below :

[RWB-1032-12UK](#) [RWB-1032-16UK](#) [H1008-BLK](#) [L905/927Z](#) [3232LK](#) [R6418-1032](#) [M154306](#) [5295](#) [G08](#) [G12](#) [3234LK](#) [R2100/2UK](#) [OR-4A6637](#) [M1552](#) [W9000-V6](#) [R0828/12](#) [R0828/16](#) [H1053Z](#) [H1024](#) [R8500-12](#) [D0604K](#) [R0828/18](#) [3233LK](#) [R0828/06](#) [8700/FANCORD](#)
[R0821](#) [R1206/2U](#) [R0828/10](#) [F1554](#) [M1530](#) [R1194/2UK](#) [G10](#) [R1290/1U](#) [H0494](#) [G0780](#) [KIT](#) [M1500](#) [9106](#) [F1694](#) [R0828/14](#) [9112](#)
[S1032/HP100](#) [G15](#) [M1701](#) [M1504](#) [EX-6301B](#) [R1206/1U](#) [H1053K](#) [C1824K](#) [R0828/21](#) [R0828/08](#)