

SECO-LARM KEY LOCK SWITCHES

SS-090

SHUNT ON/OFF
2 TERMINALS, SPST

- Maintained ON-OFF, key removable from both ON and OFF positions
- Commonly used as ON/OFF switch to arm/disarm alarm or shunt zone
- Eleven different numbers available (1300-1310)
- Extra keys available (Model #SS-090KN)



SS-090-1

SHUNT ON/OFF, 2 TERMINALS, SPST

- Maintained ON-OFF, key removable from OFF position only
- Commonly used in situations which require return of key to ensure device is turned OFF.

SS-095

MOMENTARY ON/SHUNT
OFF, 2 TERMINALS, SPST

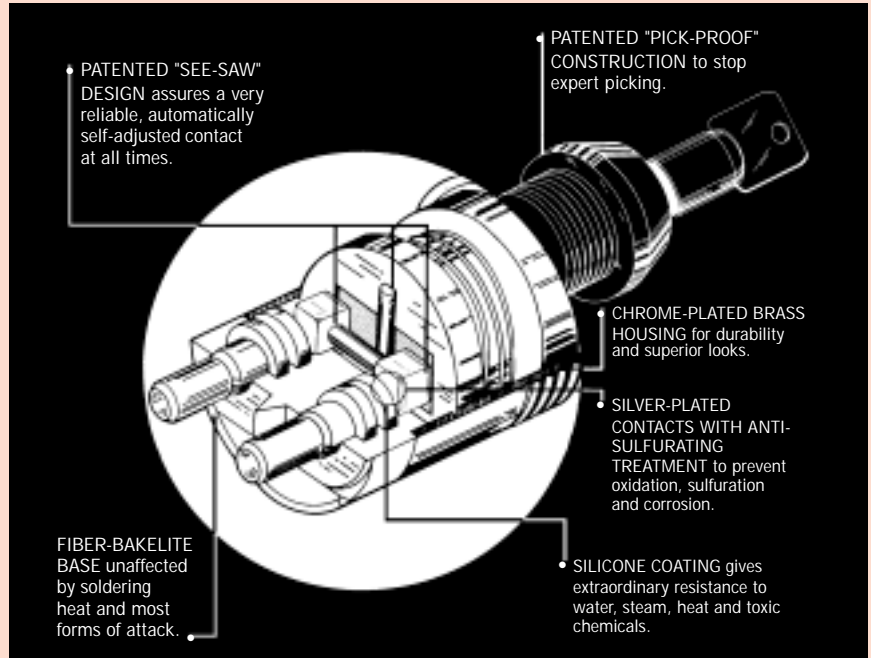
- Maintained OFF, springs back from ON, key removable from OFF only
- Commonly used for momentary arm/disarm alarm inputs or other applications requiring high-security momentary ON
- Eleven different numbers available (1300-1310)
- Extra keys available (Model #SS-090KN)



SS-092-2

SHUNT ON/OFF, OFF/ON
4 TERMINALS, DUAL SPST

- Two switches—one always on while the other is OFF.
- Connect terminals 1 & 2 for SPDT contact.
- Use to arm/disarm car alarms and break starter circuit.



Ideal for use in residential, commercial, industrial, and vehicle burglar alarm systems, as well as computer systems, data processing equipment, and other types of equipment or machinery that requires operation by authorized personnel only.

Patented "See-Saw" contacts assure a reliable, automatically self-adjusted contact even after the contacts are worn out from prolonged use, or otherwise misaligned by vibration such as uneven road surfaces.

Designed and built to resist expert picking and attacking.

Terminal divider between terminals prevents

the possibility of shorting wires when making connections.

The fiber-bakelite base is highly resistant to heat; terminals are unaffected by soldering even at 750°F (400°C) for 120 seconds. In addition, fiber bakelite makes the base extremely durable and virtually unaffected by most forms of attack.

Round terminals allow choosing between either solder or crimping connections.

Key prevented from turning 360° and from slipping past the ON and OFF positions.

Chrome-plated brass outer housing combines durability with superior looks.

The SECO-LARM policy is one of continual development and improvement. For that reason, SECO-LARM reserves the right to change specifications without notice. SECO-LARM is not responsible for misprints.

For more information, contact

SECO-LARM® U.S.A., Inc.

16842 Millikan Avenue
Irvine, CA 92606

Tel: 1-800-662-0800 (domestic U.S. & Canada)

Tel: 1-949-261-2999 (California & international)

Fax: 1-949-261-7326 Email: info@seco-larm.com

Web: www.seco-larm.com

X-ON Electronics

Largest Supplier of Electrical and Electronic Components

Click to view similar products for [SECO-LARM](#) manufacturer:

Other Similar products are found below :

[SS-090-2H1](#) [ST-2406-5A](#) [SL-1301-BAQ/C](#) [SA-027WQ](#) [SD-7202GC-PT](#) [SL-1301-BAQ/B](#) [SM-4105-LQ/B](#) [82-12781](#) [E-936-S45RRGQ](#) [SM-4103-TQ/W](#) [E-941SA-1200](#) [SD-7201GCPE1Q](#) [SK-990AQ](#) [SS-090-2H0](#) [SM-226R-3Q](#) [SD-7202GC-PEQ](#) [E-941SA-300RQ](#) [SM-4104-TQ/W](#) [SM-205Q/BR](#) [SR-1212-C2ALQ](#) [SM-4601-LQ](#) [SA-025Q](#) [SL-126Q/C](#) [SM-200Q/BR](#) [CA-1615-06LQ](#) [SS-074Q/BG](#) [CA-1515Q](#) [SM-4201-LQ](#) [SK-91ERSD](#) [SM-4303-TQ/W](#) [SK-1011-SDQ](#) [SM-216Q/GY](#) [NE-SE01-020Q](#) [CA-1610-3FLQ](#) [NJ-P101M-PQ](#) [SM-226RQ](#) [SS-073Q](#) [SL-126Q/R](#) [SL-126Q/A](#) [SL-1312-SA/R](#) [SL-126Q/B](#) [SM-204Q/W](#) [SM-207-5Q/BR](#) [SM-4102-TQ/W](#) [SM-4301-TQW](#) [CA-1616Q](#) [SM-4601-L3Q](#) [SL-1301-BAQ/R](#) [SM-226LQ](#) [SM-226L-3Q](#)