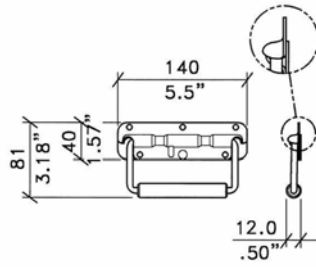


Surface Handles

Handles

80



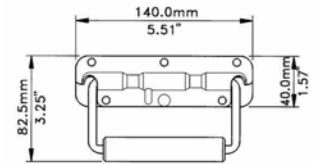
FIXING HOLES 5mm / .20" DIA

H10527™

Sprung Surface Handle with Offset Backplate.
15.5mm/ 5/8" Grip.

Material: 1.5mm/ 16 gauge Steel

Part Number	Finish	Description
H10527Z™	Zinc	



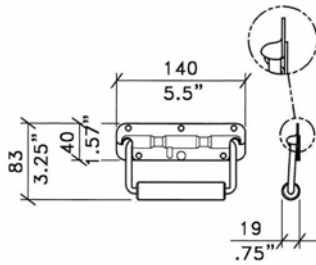
FIXING HOLES 5mm / .20" DIA

H1053™

Sprung Surface Handle, with 19mm/ 3/4" Grip.

Material: 1.5mm/ 16 gauge Steel

Part Number	Finish	Description	Weight
H1053K™	Black		0.235Kg/0.52Lb
H1053Z™	Zinc		0.223Kg/0.49Lb
H1053S™	Stainless Steel		0.223Kg/0.49Lb



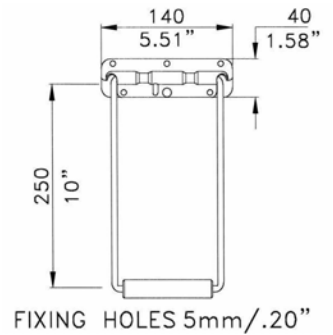
FIXING HOLES 5mm / .20" DIA

H10537™

Sprung Surface Handle with Offset Backplate.
19mm/ 3/4" Grip.

Material: 1.5mm/ 16 gauge Steel

Part Number	Finish	Description
H10537Z™	Zinc	



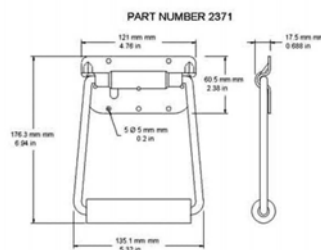
FIXING HOLES 5mm / .20"

H1052-250™

Sprung Surface Handle, with 250mm/10" Extended Grip.
Other lengths available.

Material: 1.5mm/ 16 gauge Steel

Part Number	Description
H1052-250™	

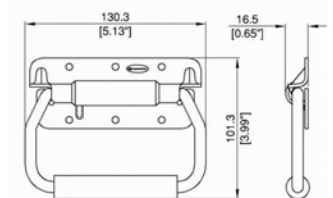


2371

Surface Mount Spring-Loaded Handle. Extra Long Bail. Sleeve Grip.
Special Order outside USA & China

Material: Steel/Rubber Grip

Part Number	Finish	Description
2371	Zinc	



2346

Surface Mount Spring-Loaded Handle.
Formed Bail with Sleeve Grip.

6 hole fixing
Special Order outside USA & China

Part Number	Finish	Description
2346	Zinc	

X-ON Electronics

Largest Supplier of Electrical and Electronic Components

Click to view similar products for [Penn Elcom](#) manufacturer:

Other Similar products are found below :

[RWB-1032-12UK](#) [RWB-1032-16UK](#) [H1008-BLK](#) [L905/927Z](#) [3232LK](#) [R6418-1032](#) [M154306](#) [5295](#) [G08](#) [G12](#) [3234LK](#) [R2100/2UK](#) [OR-4A6637](#) [M1552](#) [W9000-V6](#) [R0828/12](#) [R0828/16](#) [H1053Z](#) [H1024](#) [R8500-12](#) [D0604K](#) [R0828/18](#) [3233LK](#) [R0828/06](#) [8700/FANCORD](#)
[R0821](#) [R1206/2U](#) [R0828/10](#) [F1554](#) [M1530](#) [R1194/2UK](#) [G10](#) [R1290/1U](#) [H0494](#) [G0780](#) [KIT](#) [M1500](#) [9106](#) [F1694](#) [R0828/14](#) [9112](#)
[S1032/HP100](#) [G15](#) [M1701](#) [M1504](#) [EX-6301B](#) [R1206/1U](#) [H1053K](#) [C1824K](#) [R0828/21](#) [R0828/08](#)