

# ENFORCER®

## SS-072Q

### Tamper Switch

UL Listed for Supplementary Protection



#### FEATURES:

- Used in alarm systems with normally-closed circuits.
- Silver-plated contact ensures reliability and long-term operation.
- Small size makes it easy to hide and install.

#### SPECIFICATIONS:

- Plunger Pushed in: Contact closed
- Plunger Released: Contact Open
- Contact Rating: 0.5A at 50 VDC
- Enclosure: High-impact Plastic Resin
- Size: 2-3/4" x 1-1/16" x 5/8" (70 x 28 x 16mm)
- Weight: 18 gm

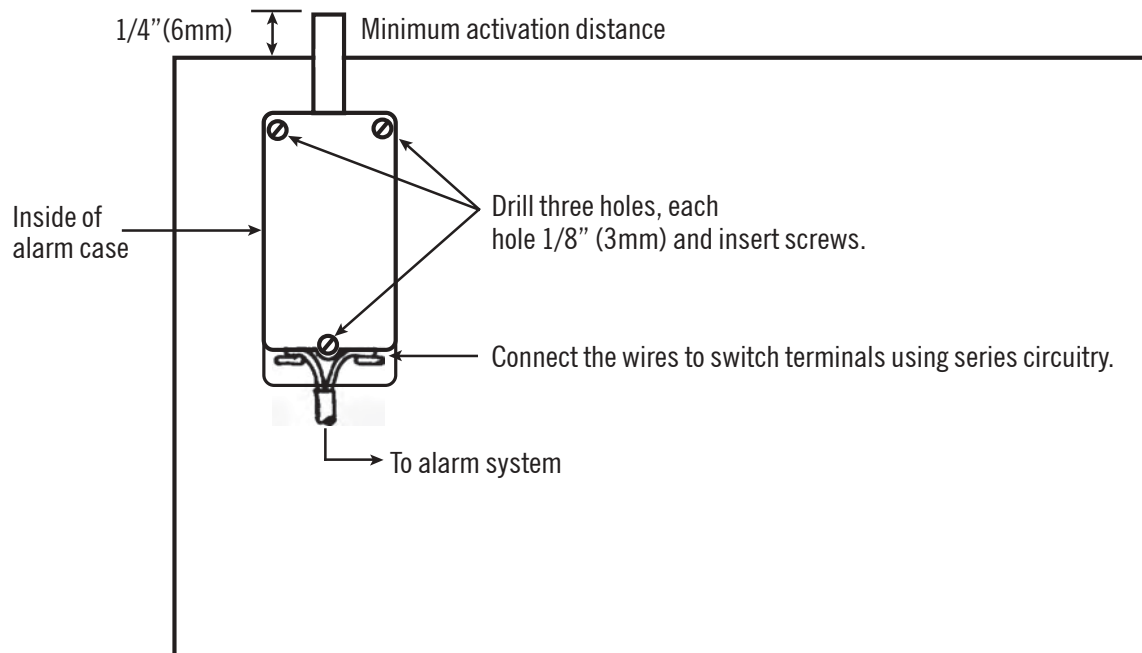


#### INSTALLATION INSTRUCTIONS:

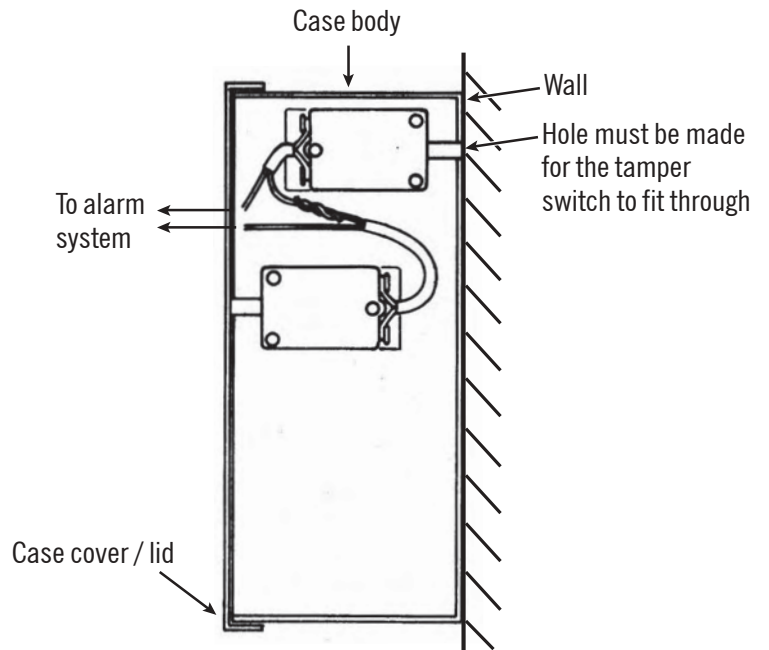
1. Decide the appropriate position for the SS-072Q. **(Note that the switch must be positioned so that it will be depressed at least 1/4" [6mm] to ensure contact is closed).**
2. Drill the three holes necessary for the SS-072Q to be mounted firmly in place. The diameter of the hole is 1/8" (3mm). Screws should be selected according to your own particular preference and need.
3. Connect the wires to the switch terminals, using series circuitry, see illustration on Fig.1.

*Fig.1 - Used inside cabinet or drawer to trigger alarm when cabinet or drawer is pulled open.*

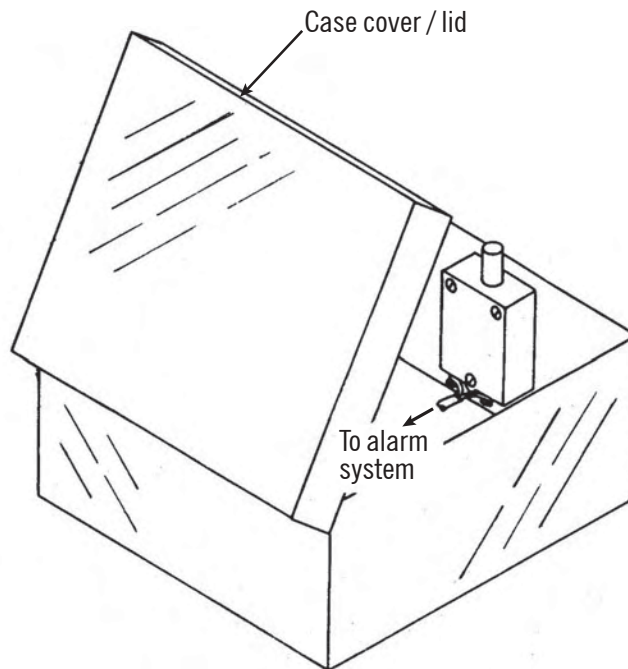
Important Note: When mounting the tamper switch, keep in mind that the switch must be depressed at least 1/4" (6mm) distance in order to activate the switch.



*Fig.2- Case against wall.  
Use 2 SS-072Q to protect against the forced removal of the case from the wall and the forced removal of the case's cover or lid.*



*Fig.3- Used inside box when top is opened upward or lifted off.*



The SECO-LARM® policy is one of continual development and improvement. For that reason, SECO-LARM reserves the right to change specifications without notice. SECO-LARM is not responsible for misprints.

**WARRANTY:** This SECO-LARM product is warranted against defects in material and workmanship while used in normal service for a period of one (1) year from the date of sale to the original consumer customer. SECO-LARM's obligation is limited to the repair or replacement of any defective part if the unit is returned, transportation prepaid, to SECO-LARM. This Warranty is void if damage is caused by or attributed to acts of God, physical or electrical misuse or abuse, neglect, repair, or alteration, improper or abnormal usage, or faulty installation, or if for any other reason SECO-LARM determines that such equipment is not operating properly as a result of causes other than defects in material and workmanship. The sole obligation of SECO-LARM, and the purchaser's exclusive remedy, shall be limited to replacement or repair only, at SECO-LARM's option. In no event shall SECO-LARM be liable for any special, collateral, incidental, or consequential personal or property damages of any kind to the purchaser or anyone else.

SECO-LARM® U.S.A., Inc., 16842 Millikan Avenue, Irvine, CA 92606  
Tel: 800-662-0800 / 949-261-2999 Fax: 949-261-7326

Website: [www.seco-larm.com](http://www.seco-larm.com)  
E-mail: [sales@seco-larm.com](mailto:sales@seco-larm.com)

MuSS-072Q\_1108.pmd  
Order Part #763-041-2%  
PITSW1

Copyright 2011 SECO-LARM U.S.A., Inc. All rights reserved.

## X-ON Electronics

Largest Supplier of Electrical and Electronic Components

*Click to view similar products for [SECO-LARM](#) manufacturer:*

Other Similar products are found below :

[SS-090-2H1](#) [ST-2406-5A](#) [SL-1301-BAQ/C](#) [SA-027WQ](#) [SD-7202GC-PT](#) [SL-1301-BAQ/B](#) [SM-4105-LQ/B](#) [82-12781](#) [E-936-S45RRGQ](#) [SM-4103-TQ/W](#) [E-941SA-1200](#) [SD-7201GCPE1Q](#) [SK-990AQ](#) [SS-090-2H0](#) [SM-226R-3Q](#) [SD-7202GC-PEQ](#) [E-941SA-300RQ](#) [SM-4104-TQ/W](#) [SM-205Q/BR](#) [SR-1212-C2ALQ](#) [SM-4601-LQ](#) [SA-025Q](#) [SL-126Q/C](#) [SM-200Q/BR](#) [CA-1615-06LQ](#) [SS-074Q/BG](#) [CA-1515Q](#) [SM-4201-LQ](#) [SK-91ERSD](#) [SM-4303-TQ/W](#) [SK-1011-SDQ](#) [SM-216Q/GY](#) [NE-SE01-020Q](#) [CA-1610-3FLQ](#) [NJ-P101M-PQ](#) [SM-226RQ](#) [SS-073Q](#) [SL-126Q/R](#) [SL-126Q/A](#) [SL-1312-SA/R](#) [SL-126Q/B](#) [SM-204Q/W](#) [SM-207-5Q/BR](#) [SM-4102-TQ/W](#) [SM-4301-TQW](#) [CA-1616Q](#) [SM-4601-L3Q](#) [SL-1301-BAQ/R](#) [SM-226LQ](#) [SM-226L-3Q](#)