

# Electric Door Strikes (for Metal Doors)

**Two models to choose from:**

**SD-995C** For 12VDC Applications

**SD-995C24** For 24VDC Applications

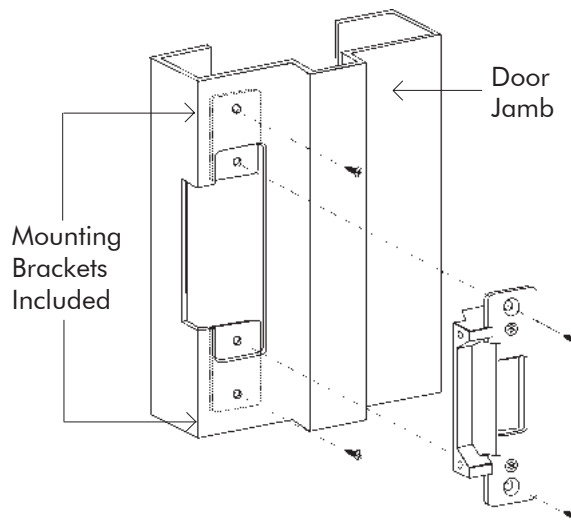
*Field-programmable in just seconds for fail-secure or fail-safe applications.*

## FEATURES:

- The ENFORCER Electric Door Strikes convert a cylindrical lock set to an electronic access controlled locking system.
- Can be used on virtually any cylindrical door locking system.
- Use of an optional digital keypad with the unit assures high security without the need for a key.
- Easily connects to SECO-LARM's SK-983A Electronic Keypad.
- ANSI-sized — 4<sup>7</sup>/<sub>8</sub>" x 1<sup>1</sup>/<sub>4</sub>" x 1<sup>1</sup>/<sub>4</sub>" (124 x 32 x 32mm)
- Symmetrical-sized. Reversible for right-hand or left-hand doors.
- Shallow design for use with most metal doors.
- Powered by a solenoid, not a buzzer coil.
- Stainless steel lip (keeper) for strength and long life.
- Jaw strength — 2,000 lbs.
- Non-polarized connection. Wires can be reversed.
- Current — SD-995C: 250mA @ 12VDC.  
Current — SD-995C24: 150mA @ 24VDC.
- Tested to 1 million cycles.
- Optional lip-extension kits.



## Typical Installations



## X-ON Electronics

Largest Supplier of Electrical and Electronic Components

*Click to view similar products for [SECO-LARM](#) manufacturer:*

Other Similar products are found below :

[SS-090-2H1](#) [ST-2406-5A](#) [SL-1301-BAQ/C](#) [SA-027WQ](#) [SD-7202GC-PT](#) [SL-1301-BAQ/B](#) [SM-4105-LQ/B](#) [82-12781](#) [E-936-S45RRGQ](#) [SM-4103-TQ/W](#) [E-941SA-1200](#) [SD-7201GCPE1Q](#) [SK-990AQ](#) [SS-090-2H0](#) [SM-226R-3Q](#) [SD-7202GC-PEQ](#) [E-941SA-300RQ](#) [SM-4104-TQ/W](#) [SM-205Q/BR](#) [SR-1212-C2ALQ](#) [SM-4601-LQ](#) [SA-025Q](#) [SL-126Q/C](#) [SM-200Q/BR](#) [CA-1615-06LQ](#) [SS-074Q/BG](#) [CA-1515Q](#) [SM-4201-LQ](#) [SK-91ERSD](#) [SM-4303-TQ/W](#) [SK-1011-SDQ](#) [SM-216Q/GY](#) [NE-SE01-020Q](#) [CA-1610-3FLQ](#) [NJ-P101M-PQ](#) [SM-226RQ](#) [SS-073Q](#) [SL-126Q/R](#) [SL-126Q/A](#) [SL-1312-SA/R](#) [SL-126Q/B](#) [SM-204Q/W](#) [SM-207-5Q/BR](#) [SM-4102-TQ/W](#) [SM-4301-TQW](#) [CA-1616Q](#) [SM-4601-L3Q](#) [SL-1301-BAQ/R](#) [SM-226LQ](#) [SM-226L-3Q](#)