

Passive Ethernet Extender over Coax

NE-SE01-020Q

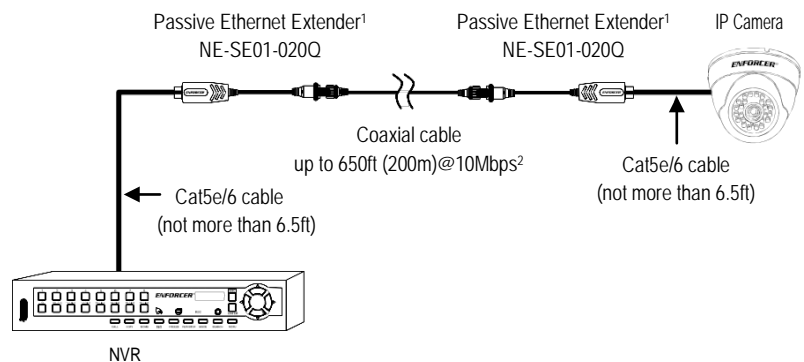
ENFORCER Passive Ethernet Extender over Coax is designed to extend the range of any TCP/IP device beyond the 300ft (100m) limit of Ethernet. The unit does not filter out any protocols, codes, or applications, ensuring compatibility with any IP camera and its software.



Features:

- 1 Channel Ethernet over coax
- 10 Mbps Full duplex
- Transmission distance: 650ft (200m) (RG59)
- Passive, no power required
- Built-in surge protection
- Fast and easy to install
- Bidirectional
 - can operate as transmitter and receiver
- Sold as a set

Sample Installation:



Specifications:

| | |
|-----------------------|---|
| Type | Passive Ethernet Extender over Coax |
| Range | 650' (200m) |
| Input connector | RJ-45 |
| Output connector | BNC |
| Link cable | RG59/U or better |
| Ethernet speed | 10/100Mbps |
| Standard | IEEE802.3 10Base-T |
| Bandwidth | 10Mbps |
| Operating temperature | -4° ~158° F (-20° ~70° C) |
| Dimensions | 2 ³ / ₈ "x1 ¹ / ₈ "x1 ³ / ₁₆ " (60x29x20 mm) (Excluding pigtail) |

Also Available from SECO-LARM®:



SECO-LARM® U.S.A., Inc.

16842 Millikan Avenue, Irvine, CA, 92606

Phone: (949) 261-2999 | (800) 662-0800 Fax: (949) 261-7326

Website: www.seco-larm.com Email: sales@seco-larm.com

Copyright 2015 © SECO-LARM U.S.A. Inc. All rights reserved.
The SECO-LARM policy is one of continual development. For that reason, SECO-LARM reserves the right to change prices and specifications without notice. SECO-LARM is not responsible for misprints.

SECO-LARM® ENFORCER® CRIMEBUSTER® CBA SLI®

PI_NE-SE01-020Q_150803.docx



X-ON Electronics

Largest Supplier of Electrical and Electronic Components

Click to view similar products for [SECO-LARM](#) manufacturer:

Other Similar products are found below :

[SS-090-2H1](#) [ST-2406-5A](#) [SL-1301-BAQ/C](#) [SA-027WQ](#) [SD-7202GC-PT](#) [SL-1301-BAQ/B](#) [SM-4105-LQ/B](#) [82-12781](#) [E-936-S45RRGQ](#) [SM-4103-TQ/W](#) [E-941SA-1200](#) [SD-7201GCPE1Q](#) [SK-990AQ](#) [SS-090-2H0](#) [SM-226R-3Q](#) [SD-7202GC-PEQ](#) [E-941SA-300RQ](#) [SM-4104-TQ/W](#) [SM-205Q/BR](#) [SR-1212-C2ALQ](#) [SM-4601-LQ](#) [SA-025Q](#) [SL-126Q/C](#) [SM-200Q/BR](#) [CA-1615-06LQ](#) [SS-074Q/BG](#) [CA-1515Q](#) [SM-4201-LQ](#) [SK-91ERSD](#) [SM-4303-TQ/W](#) [SK-1011-SDQ](#) [SM-216Q/GY](#) [NE-SE01-020Q](#) [CA-1610-3FLQ](#) [NJ-P101M-PQ](#) [SM-226RQ](#) [SS-073Q](#) [SL-126Q/R](#) [SL-126Q/A](#) [SL-1312-SA/R](#) [SL-126Q/B](#) [SM-204Q/W](#) [SM-207-5Q/BR](#) [SM-4102-TQ/W](#) [SM-4301-TQW](#) [CA-1616Q](#) [SM-4601-L3Q](#) [SL-1301-BAQ/R](#) [SM-226LQ](#) [SM-226L-3Q](#)