

Passive PoE Splitter and Injector

NJ-P101M-PQ

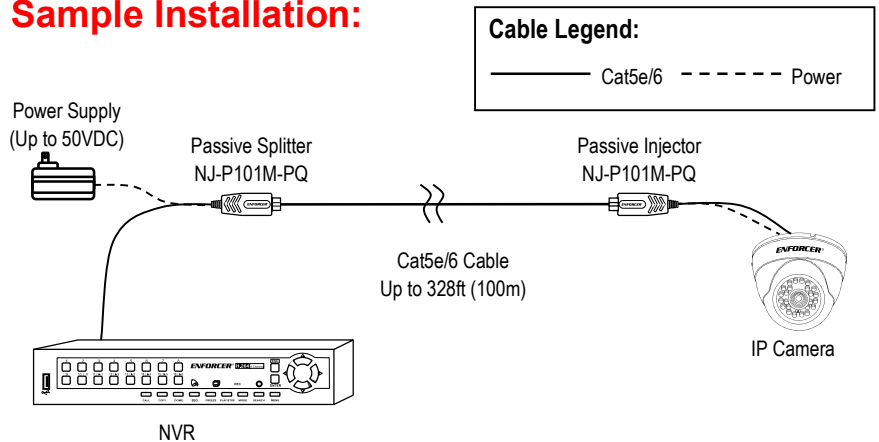
ENFORCER Passive PoE Splitter and Injector is designed to support up to 100Mb/s networks and is compatible with all DC powered and non-POE devices up to 50VDC.



Features:

- Includes splitter and injector
- Works with all DC powered non-POE devices up to 50VDC
- Supports up to 100Mb/s networks
- Plug & play installation
- Use existing Cat5e/6 wiring to extend power to non-PoE devices
- For distances up to 328ft (100m)

Sample Installation:



Specifications:

Model	NJ-P101M-PQ
Transmission Medium	Cat5e/6 UTP
Input Voltage	≤50VDC
Transmission Distance	328ft (100m) max
Transmission Current	1A max
Working Temperature	14°~158°F (-10°~70°C)
Storage Temperature	-22°~158°F (-30°~70°C)
Humidity	0 to 95%
Dimensions	2 ¹ / ₁₆ "x1 ¹ / ₈ "x1 ³ / ₁₆ " (52x28x21mm) With 5.9" (15cm cable)

Also Available from SECO-LARM®:

<p>Passive VGA Balun MVE-SV010Q</p>	<p>Passive Video Baluns EB-P501-01Q</p>	<p>HDMI to VGA Converter MVA-HV010Q</p>
<p>HDMI Extender over Coax MVE-AA11-01NQ</p>	<p>CCTV Power Supplies EVP-1SA4P9UL</p>	<p>Ethernet over Coax w/ PoE NE-AE01-030TQ</p>

SECO-LARM® U.S.A., Inc.

16842 Millikan Avenue, Irvine, CA, 92606

Phone: (949) 261-2999 | (800) 662-0800 Fax: (949) 261-7326

Website: www.seco-larm.com Email: sales@seco-larm.com



Copyright 2015 © SECO-LARM U.S.A., Inc. All rights reserved.

All trademarks are the property of SECO-LARM U.S.A., Inc. or their respective owners. The SECO-LARM policy is one of continual development. For that reason, SECO-LARM reserves the right to change prices and specifications without notice. SECO-LARM is not responsible for misprints.

SECO-LARM® ENFORCER® CRIMEBUSTER® CBA SLI®

PI_NJ-P101M-PQ_151216

X-ON Electronics

Largest Supplier of Electrical and Electronic Components

Click to view similar products for [SECO-LARM](#) manufacturer:

Other Similar products are found below :

[SS-090-2H1](#) [ST-2406-5A](#) [SL-1301-BAQ/C](#) [SA-027WQ](#) [SD-7202GC-PT](#) [SL-1301-BAQ/B](#) [SM-4105-LQ/B](#) [82-12781](#) [E-936-S45RRGQ](#) [SM-4103-TQ/W](#) [E-941SA-1200](#) [SD-7201GCPE1Q](#) [SK-990AQ](#) [SS-090-2H0](#) [SM-226R-3Q](#) [SD-7202GC-PEQ](#) [E-941SA-300RQ](#) [SM-4104-TQ/W](#) [SM-205Q/BR](#) [SR-1212-C2ALQ](#) [SM-4601-LQ](#) [SA-025Q](#) [SL-126Q/C](#) [SM-200Q/BR](#) [CA-1615-06LQ](#) [SS-074Q/BG](#) [CA-1515Q](#) [SM-4201-LQ](#) [SK-91ERSD](#) [SM-4303-TQ/W](#) [SK-1011-SDQ](#) [SM-216Q/GY](#) [NE-SE01-020Q](#) [CA-1610-3FLQ](#) [NJ-P101M-PQ](#) [SM-226RQ](#) [SS-073Q](#) [SL-126Q/R](#) [SL-126Q/A](#) [SL-1312-SA/R](#) [SL-126Q/B](#) [SM-204Q/W](#) [SM-207-5Q/BR](#) [SM-4102-TQ/W](#) [SM-4301-TQW](#) [CA-1616Q](#) [SM-4601-L3Q](#) [SL-1301-BAQ/R](#) [SM-226LQ](#) [SM-226L-3Q](#)