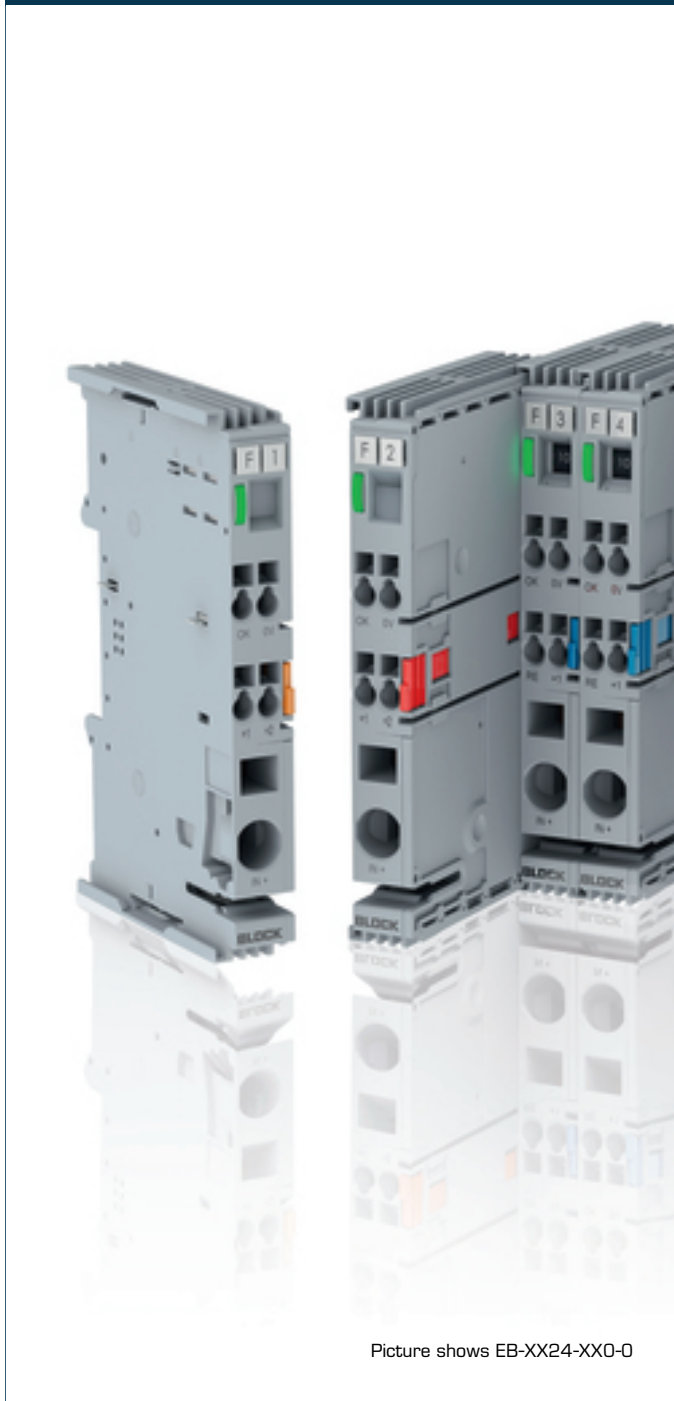


# 1-Channel circuit breaker EB-2724-010-0



Picture shows EB-XX24-XX0-0

## Advantages

Automatic feedthrough of all signal levels
Optional communication via communication module
Optional undervoltage shutdown in combined network
Optional settings for tripping current
Additional load outputs through output distribution modules mountable side by side
Selective load-dependent activation
Versions with collective reset input

## Applications

EB-27 Electronic circuit breaker with thermomagnetic characteristic with alarm signal forwarded for tripped and switched off channels to the connected channels. Starter version with fuse for 24 V loads.

EB-28 Electronic circuit breaker with current-limiting characteristic with alarm signal forwarded for tripped and switched off channels to the connected channels. Starter version with fuse for 24 V loads if active current limitation is required.

EB-08, EB-18, EB-38 Electronic circuit breaker with current-limiting characteristic and comprehensive communication with the connected modules. Suitable as advanced fuse for 24 V loads with option of reading more detailed current supply parameters and actively controlling the channels.

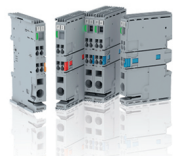
## Standards

Safety:  
EN 60950-1, EN 50178, EN/IEC 60204-1  
EMC:  
EN 61000-6-2 (interference immunity), EN 61000-6-3 (emitted interference)  
CE:  
Acc. to 2014/30/EU

## Approvals



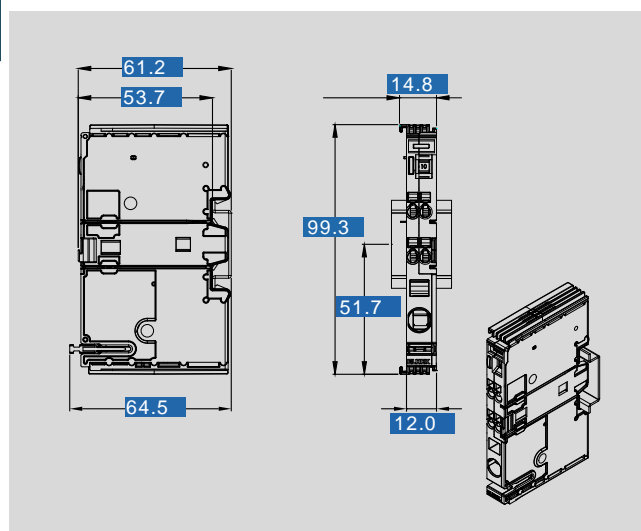
UL 508 (prepared), UL 2367 (prepared), GL (prepared),  
VW eCl@ss No.27-37-18-02 (prepared)



# 1-Channel circuit breaker EB-2724-010-0

Type	EB-2724-010-0
<b>Electrical data</b>	
Special features	
Characteristics	-
Input	
Input rated voltage	24 Vdc
Input voltage range	18 - 30 Vdc
Maximal residual ripple of supplied input voltage	3 %
Max. total input current	1 A
Max. input current for each pole of terminal	10 A (-), 40 A (+)
Required input voltage for turning-on of outputs	17.5 V (Turn-off Threshold 16.7 V), ± 0.7 V
Max. power losses	0,4 W
Over voltage protection	Suppressor diode 33 V
Stand-by current	12 mA @ 24 V
Power losses in stand-by mode	0,3 W @ 24 V
Turn on capacity	70 mF @ 24 Vdc / 2,5 mm <sup>2</sup> / 2,5 m
Output	
Output rated voltage	24 Vdc
Maximum voltage drop between input and output	24 mV
Initialization time of module	27 ms
Turn-on delay of outputs	0 ms
Waiting periode after switch-off of an output	500 ms (Short circuit) .. 5 s (Overload)
Parallel use of outputs	Not allowed
Serial use of outputs	not allowed
Resistance to reverse feed max.	35 Vdc
Output rated current	1 A
Efficiency	99.0 %
Output limited current	-
Signaling	
Bus communication	Collective notification signal bypassed
Status indicator	LED (red, green, orange)
Signal output	Output status, short circuit proof high = Channel on, low = Channel off, fault
Signal output (ON/OFF/Reset)	-
Environment	
Type of cooling	Natural convection
Ambient temperature	-25 °C .. +70 °C
Storage temperature	-25 °C ... +85 °C
Derating	-
Relative humidity	5 .. 96 %, without condensation
Required minimum spacing (left/right)	0 mm
Required minimum spacing (over/under)	30 mm
Safety and protection	
Protection index	IP 20
Safety class	III, without PE connection
Degree of pollution	2
Order numbers	
<b>Order Number</b>	<b>EB-2724-010-0</b>

Type	EB-2724-010-0
<b>Mechanical data</b>	
Terminal and mounting	
Terminals input, (spring clamp terminal)	max. 16 mm <sup>2</sup>
Terminals output, (spring clamp terminal)	max 2,5 mm <sup>2</sup> (2 x "+" )
Terminals signalling, (spring clamp terminal)	max. 2,5 mm <sup>2</sup>
Mounting position	
Measures and weights	
Weight	0,039 kg



Subject to change.

## X-ON Electronics

Largest Supplier of Electrical and Electronic Components

*Click to view similar products for [Block manufacturer](#):*

Other Similar products are found below :

[PVSB 400/24-20](#) [RKD 40/2X18](#) [RKD 120/2X24](#) [AVB1.0/2/12](#) [FL52/24](#) [FL6/24](#) [AVB0.5/2/6](#) [AVB2.3/2/6](#) [STEU63/23](#) [VB 0.35/1/15](#) [LR3 48-3/80](#) [LR3 48-5/70](#) [LR3 60-3/70](#) [PC-0148-100-0](#) [PC-0324-100-0](#) [PM-0748-400-0](#) [EB-2724-060-0](#) [PVUA 24/24-20](#) [RKD 100/2X24](#) [VB1.5/2/24](#) [FL4/18](#) [TIM500](#) [VB2.3/2/9](#) [AVB3.2/2/6](#) [STEU320/23](#) [STEU100/24](#) [VB 1.5/2/8](#) [SAT600](#) [LR3 48-5/80](#) [LR3 48-5/90](#) [PM-0124-020-0](#) [PM-0148-020-0](#) [PM-0724-120-0](#) [EB-1824-010-0](#) [STEU160/48](#) [FL10/24](#) [FL14/18](#) [SAT200](#) [DCT24-1.5](#) [FL18/6](#) [FL24/6](#) [VB2.3/2/24](#) [VB2.8/2/15](#) [LR3 48-5/16](#) [PM-0112-040-0](#) [PM-0112-070-0](#) [STEU63/24](#) [FL18/12](#) [FL24/24](#) [STEU250/24](#)