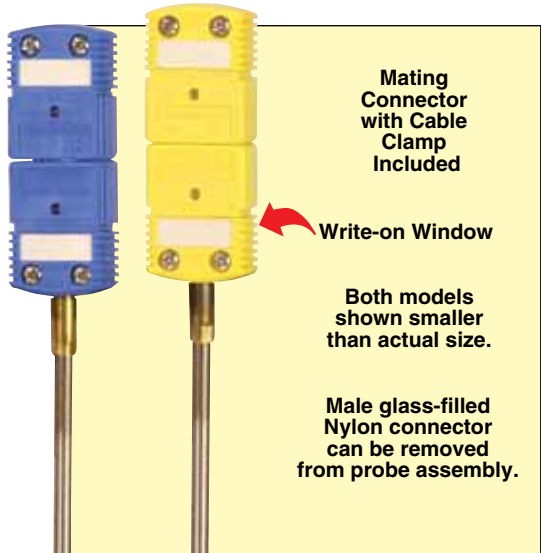


Quick Disconnect Thermocouples with Removable Standard Size Connectors

Available as



All OMEGA® Probes Are Also Available With PFA Coating. Consult Sales for Ordering Information.



- ✓ Standard Size OSTW Probe Termination
- ✓ 300 mm (12"), 450 mm (18") and 600 mm (24") Lengths in Stock†
- ✓ Choice of 304, 316, 321 SS, Inconel Sheath or Super OMEGACLAD® XL Sheath
- ✓ Diameters from 1.5 to 6.0 mm (1/16 to 1/4")
- ✓ Connector Body Rated to 180°C (356°F)

Note: Minor discoloration of connector may occur between 150°C (302°F) and 180°C (356°F). Electrical properties are not affected.

OMEGA® quick disconnect thermocouple Assemblies feature standard size OSTW thermocouple connectors, with probes from 1/16 to 1/4". These probes are available with grounded, ungrounded or exposed junctions with 304, 316, or 321 stainless steel or Inconel sheaths.

To Order

Thermocouple Alloy	Sheath Dia. mm (inch)	Model No. 300 mm (12") Length	Model No. 450 mm (18") Length	Model No. 600 mm (24") Length
IRON-CONSTANTAN Inconel Sheath J	1.5 (1/16)	ICIN-116(*)-12	ICIN-116(*)-18	ICIN-116(*)-24
	3.0 (1/8)	ICIN-18(*)-12	ICIN-18(*)-18	ICIN-18(*)-24
	4.5 (3/16)	ICIN-316(*)-12	ICIN-316(*)-18	ICIN-316(*)-24
	6.0 (1/4)	ICIN-14(*)-12	ICIN-14(*)-18	ICIN-14(*)-24
IRON-CONSTANTAN 304 SS Sheath J	1.5 (1/16)	ICSS-116(*)-12	ICSS-116(*)-18	ICSS-116(*)-24
	3.0 (1/8)	ICSS-18(*)-12	ICSS-18(*)-18	ICSS-18(*)-24
	4.5 (3/16)	ICSS-316(*)-12	ICSS-316(*)-18	ICSS-316(*)-24
	6.0 (1/4)	ICSS-14(*)-12	ICSS-14(*)-18	ICSS-14(*)-24
CHROMEQA® ALOMEGA® Inconel Sheath K	1.5 (1/16)	CAIN-116(*)-12	CAIN-116(*)-18	CAIN-116(*)-24
	3.0 (1/8)	CAIN-18(*)-12	CAIN-18(*)-18	CAIN-18(*)-24
	4.5 (3/16)	CAIN-316(*)-12	CAIN-316(*)-18	CAIN-316(*)-24
	6.0 (1/4)	CAIN-14(*)-12	CAIN-14(*)-18	CAIN-14(*)-24
CHROMEQA® ** ALOMEGA® 304 SS Sheath K	1.5 (1/16)	CASS-116(*)-12	CASS-116(*)-18	CASS-116(*)-24
	3.0 (1/8)	CASS-18(*)-12	CASS-18(*)-18	CASS-18(*)-24
	4.5 (3/16)	CASS-316(*)-12	CASS-316(*)-18	CASS-316(*)-24
	6.0 (1/4)	CASS-14(*)-12	CASS-14(*)-18	CASS-14(*)-24
CHROMEQA®- CONSTANTAN Inconel Sheath E	1.5 (1/16)	CXIN-116(*)-12	CXIN-116(*)-18	CXIN-116(*)-24
	3.0 (1/8)	CXIN-18(*)-12	CXIN-18(*)-18	CXIN-18(*)-24
	4.5 (3/16)	CXIN-316(*)-12	CXIN-316(*)-18	CXIN-316(*)-24
	6.0 (1/4)	CXIN-14(*)-12	CXIN-14(*)-18	CXIN-14(*)-24
CHROMEQA®- CONSTANTAN 304 SS Sheath E	1.5 (1/16)	CXSS-116(*)-12	CXSS-116(*)-18	CXSS-116(*)-24
	3.0 (1/8)	CXSS-18(*)-12	CXSS-18(*)-18	CXSS-18(*)-24
	4.5 (3/16)	CXSS-316(*)-12	CXSS-316(*)-18	CXSS-316(*)-24
	6.0 (1/4)	CXSS-14(*)-12	CXSS-14(*)-18	CXSS-14(*)-24
COPPER- CONSTANTAN Inconel Sheath T	1.5 (1/16)	CPIN-116(*)-12	CPIN-116(*)-18	CPIN-116(*)-24
	3.0 (1/8)	CPIN-18(*)-12	CPIN-18(*)-18	CPIN-18(*)-24
	4.5 (3/16)	CPIN-316(*)-12	CPIN-316(*)-18	CPIN-316(*)-24
	6.0 (1/4)	CPIN-14(*)-12	CPIN-14(*)-18	CPIN-14(*)-24
COPPER- CONSTANTAN 304 SS Sheath T	1.5 (1/16)	CPSS-116(*)-12	CPSS-116(*)-18	CPSS-116(*)-24
	3.0 (1/8)	CPSS-18(*)-12	CPSS-18(*)-18	CPSS-18(*)-24
	4.5 (3/16)	CPSS-316(*)-12	CPSS-316(*)-18	CPSS-316(*)-24
	6.0 (1/4)	CPSS-14(*)-12	CPSS-14(*)-18	CPSS-14(*)-24
OMEGALLOY®- ** NICROSIL-NISIL Inconel Sheath N	1.5 (1/16)	NNIN-116(*)-12	NNIN-116(*)-18	NNIN-116(*)-24
	3.0 (1/8)	NNIN-18(*)-12	NNIN-18(*)-18	NNIN-18(*)-24
	4.5 (3/16)	NNIN-316(*)-12	NNIN-316(*)-18	NNIN-316(*)-24
	6.0 (1/4)	NNIN-14(*)-12	NNIN-14(*)-18	NNIN-14(*)-24

Note: Length of probe is measured from the bottom of the brass block to the tip of the probe.

Note: Each probe includes mating connector and cable clamp. † Other lengths available, consult Sales department.

* Specify junction type: "E" (Exposed), "G" (Grounded) or "U" (Ungrounded). To order with 316, 316L or 321 stainless steel sheath, change "SS" in model number to "316SS", "316LSS" or "321SS" respectively, no additional charge. To order replacement probe, no connector, add "-RP" to model number for reduced cost. ** To order Super OMEGACLAD® XL, change "IN" to "XL" for additional cost.

Ordering Example: CAXL-18U-12, quick disconnect probe, Type K (CHROMEQA®-ALOMEGA®), Super OMEGACLAD® XL sheath, 3 mm (1/8") OD, ungrounded junction, 300 mm (12") length.

A321SS-18G-12, quick disconnect probe, Type K (CHROMEQA®-ALOMEGA®), 321 SS sheath, 1/8" OD grounded junction.

X-ON Electronics

Largest Supplier of Electrical and Electronic Components

Click to view similar products for [Omega manufacturer](#):

Other Similar products are found below :

[DPG409-100DWU](#) [OM-DAQXL-1-NA](#) [CASS-116U-12](#) [DH-1-20-J-12](#) [GG-J-24-SLE-1000](#) [HPC-AU-P](#) [HPC-IR-P](#) [JMQSS-062U-6](#) [KHSS-18G-RSC-12](#) [KHXL-18G-RSC-12](#) [KMQIN-125U-6](#) [KMQXL-125G-12](#) [KMQXL-125U-6](#) [KQSS-18G-6](#) [KQXL-14U-36](#) [KQXL-18G-12](#) [KQXL-18U-12](#) [NB1-CAXL-14U-12](#) [NB3-CAXL-14U-18](#) [P-M-1/10-1/4-6-0-P-3](#) [PX309-015A5V](#) [PX309-1KGI](#) [PX309-10KGV](#) [PX309-100AI](#) [PX309-100AV](#) [PX309-100GI](#) [PX309-100GV](#) [PX309-3KG5V](#) [PX319-V050G5V](#) [PX319-005AI](#) [PX319-050A5V](#) [PX319-050GI](#) [PX319-10KGI](#) [PX319-100GV](#) [PX319-2KGI](#) [PX319-200AV](#) [PX319-200A5V](#) [PX319-300G5V](#) [PX319-5KG5V](#) [PX319-500G5V](#) [PX319-7.5KGI](#) [PX319-7.5KG5V](#) [PX329-1KG5V](#) [PX329-10KGI](#) [PX329-2KGI](#) [PX409-015DWUI](#) [PX409-015VUSBH](#) [PX409-015VV](#) [PX409-050A5V](#) [PX409-10WDWU5V](#)