



Spring Loaded RTD Sensors with M12 Connectors For Use in Thermowells

PR-21SL-3-100-A-0600-M12-1 shown smaller than actual size.

PR-21SL Series

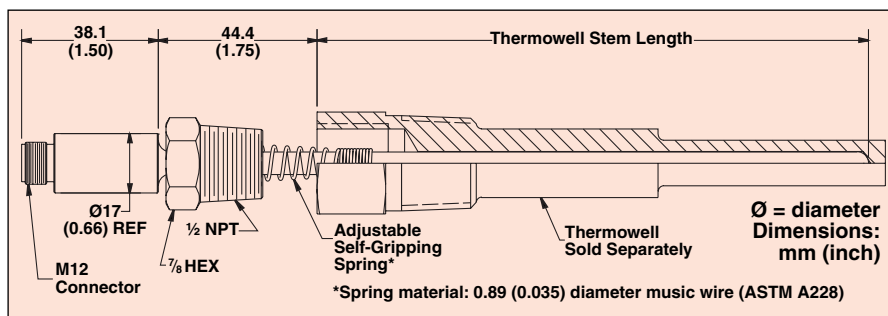
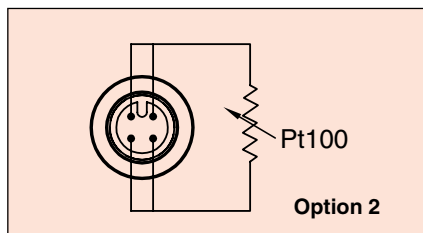
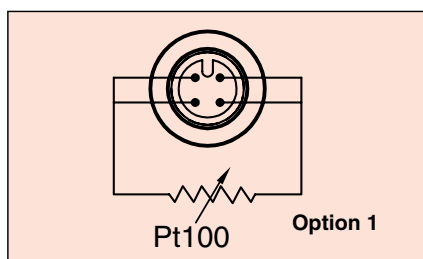
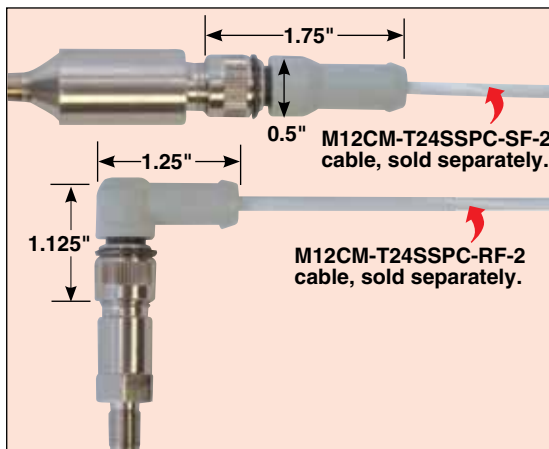
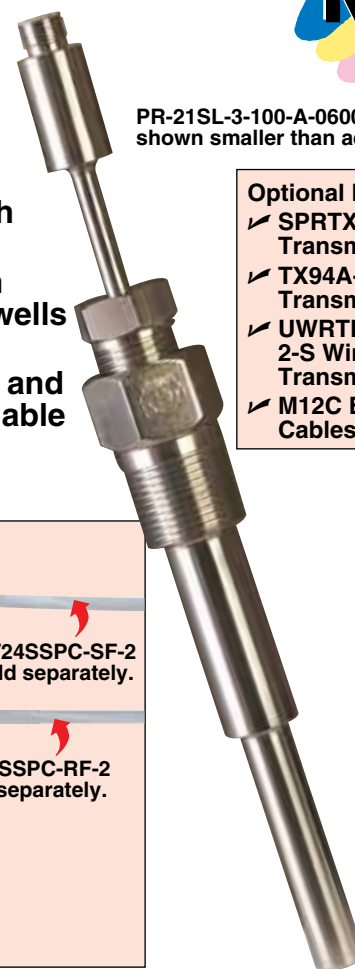


- ✓ 4-Wire, Class-A Pt100 RTDs Can be Used with 2, 3 or 4-Wire Systems
- ✓ Temperature Range: -50 to 260°C (-58 to 500°F) [85°C (185°F) Max at Connector]
- ✓ M12 A-Coded Male Connectors for Easy Installation, 2 Wiring Arrangements Available
- ✓ Fits All Standard 0.260" Bore Thermowells (Sold Separately)

- ✓ Probe Length Equals Thermowell Stem Length
- ✓ Adjustable Self-Gripping Spring Allows for Use in Shorter Length Thermowells
- ✓ M12 Extension Cables, 4 to 20 mA Transmitters and Other Accessories Available
- ✓ Large Selection of Industrial Thermowells

Optional Equipment

- ✓ SPRTX-SS In-Line Transmitter
- ✓ TX94A-SS Transmitter
- ✓ UWRTD-2-S Wireless Transmitter
- ✓ M12C Extension Cables



To Order

Model No.	Resistance at 0°C	Accuracy Class Per IEC 60751*	Thermowell Stem Length
PR-21SL-3-100-A-0250-M12-1	100.00 ±0.06Ω	Class A	2½"
PR-21SL-3-100-A-0400-M12-1	100.00 ±0.06Ω	Class A	4"
PR-21SL-3-100-A-0600-M12-1	100.00 ±0.06Ω	Class A	6"
PR-21SL-3-100-A-0900-M12-1	100.00 ±0.06Ω	Class A	9"
PR-21SL-3-100-A-1200-M12-1	100.00 ±0.06Ω	Class A	12"
PR-21SL-3-100-A-1500-M12-1	100.00 ±0.06Ω	Class A	15"
PR-21SL-3-100-A-1800-M12-1	100.00 ±0.06Ω	Class A	18"
PR-21SL-3-100-A-2400-M12-1	100.00 ±0.06Ω	Class A	24"

* Class A Accuracy = ±(0.15 + 0.002*t)°C where "t" = temperature in °C regardless of sign.

For the alternate wiring arrangement, change "-1" to "-2" in the model number, no additional cost.

For a probe length not listed up to 24", change the stem length in the model number to the required stem length (Example: 1250 = 12½") and use the price of the next longer sensor.

Ordering Example: PR-21SL-3-100-A-0400-M12-1, 4-wire 100 Ω Class A RTD sensor with M12 connector wired in the "-1" configuration (see figure) that spring loads into a thermowell with a 0.260" diameter bore and a stem length of 4" or less.

X-ON Electronics

Largest Supplier of Electrical and Electronic Components

Click to view similar products for [Omega manufacturer](#):

Other Similar products are found below :

[DPG409-100DWU](#) [OM-DAQXL-1-NA](#) [CASS-116U-12](#) [DH-1-20-J-12](#) [GG-J-24-SLE-1000](#) [HPC-AU-P](#) [HPC-IR-P](#) [JMQSS-062U-6](#) [KHSS-18G-RSC-12](#) [KHXL-18G-RSC-12](#) [KMQIN-125U-6](#) [KMQXL-125G-12](#) [KMQXL-125U-6](#) [KQSS-18G-6](#) [KQXL-14U-36](#) [KQXL-18G-12](#) [KQXL-18U-12](#) [NB1-CAXL-14U-12](#) [NB3-CAXL-14U-18](#) [P-M-1/10-1/4-6-0-P-3](#) [PX309-015A5V](#) [PX309-1KGI](#) [PX309-10KGV](#) [PX309-100AI](#) [PX309-100AV](#) [PX309-100GI](#) [PX309-100GV](#) [PX309-3KG5V](#) [PX319-V050G5V](#) [PX319-005AI](#) [PX319-050A5V](#) [PX319-050GI](#) [PX319-10KGI](#) [PX319-100GV](#) [PX319-2KGI](#) [PX319-200AV](#) [PX319-200A5V](#) [PX319-300G5V](#) [PX319-5KG5V](#) [PX319-500G5V](#) [PX319-7.5KGI](#) [PX319-7.5KG5V](#) [PX329-1KG5V](#) [PX329-10KGI](#) [PX329-2KGI](#) [PX409-015DWUI](#) [PX409-015VUSBH](#) [PX409-015VV](#) [PX409-050A5V](#) [PX409-10WDWU5V](#)