

SPACE-SAVING FAN HEATER

HV 031 / HVL 031 | 100 W to 400 W

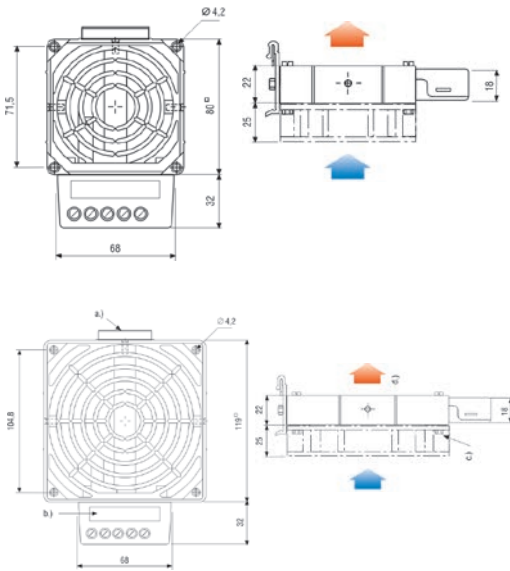


- > Compact
- > Temperature safety cut-out
- > Flat design
- > Clip fixing
- > High air through-flow

Compact high-performance fan heater prevents formation of condensation and frost and provides an evenly distributed interior air temperature in enclosures with electric/electronic components. This fan heater may only be operated together with a fan but is also available without fan for self-assembly (HV 031) and with pre-configured fan (HVL 031).



TECHNICAL DATA



a.) Clip
b.) Type plate
c.) Axial fan
d.) Air direction

HV 031	Heater without fan (fan mounting kit included)
HVL 031	Heater with fan
Heating element	high performance cartridge
Temperature safety cut-out	to protect against overheating in case of fan failure, automatic reset
Heater body	die-cast aluminium (glass bead blasted)
Connection	3-pole screw connector 2.5 mm ² , clamping torque 0.8 Nm max.
Connection casing	plastic according to UL94 V-0, black
Mounting	clip for 35 mm DIN rail, EN 60715
Fitting position	vertical airflow (air outlet up)
Operating/Storage temperature	-45 to +70 °C (-49 to +158 °F)
Operating/Storage humidity	max. 90 % RH (non-condensing)
Protection type/Protection class	IP20 / I (earthed)
Approvals	UL File No. E187294, EAC VDE only: 230 V
HVL 031 only:	
Axial fan, ball bearing	airflow see table service life 50,000 h at +25 °C (+77 °F)
Connection (axial fan)	2-pole screw connector 2.5 mm ² (L2/N2)



Important note: Heater may only be operated together with fan.
Danger of overheating!

Art. No. HV 031 AC 230 V, 50/60 Hz	Art. No. HV 031 AC 120 V, 50/60 Hz	Heating capacity	Recommended pre-fuse T (time-delay)		Dimensions	Weight (approx.)
			AC 230 V	AC 120 V		
03100.0-00	03100.9-00	100 W	1.0 A	2.0 A	80 x 112 x 22 mm	0.4 kg
03101.0-00	03101.9-00	150 W	1.25 A	2.5 A	80 x 112 x 22 mm	0.4 kg
03110.0-00	03110.9-00	200 W	2.0 A	3.0 A	119 x 151 x 22 mm	0.5 kg
03111.0-00	03111.9-00	300 W	2.0 A	4.0 A	119 x 151 x 22 mm	0.5 kg
03112.0-00	03112.9-00	400 W	4.0 A	6.3 A	119 x 151 x 22 mm	0.5 kg

Art. No. HVL 031 AC 230 V, 50/60 Hz	Art. No. HVL 031 AC 120 V, 50/60 Hz	Heating capacity	Recommended pre-fuse T (time-delay)		Airflow min., free flow	Dimensions	Weight (approx.)
			AC 230 V	AC 120 V			
03102.0-00	03102.9-00	100 W	1.0 A	2.0 A	35 m ³ /h	80 x 112 x 47 mm	0.6 kg
03103.0-00	03103.9-00	150 W	1.25 A	2.5 A	35 m ³ /h	80 x 112 x 47 mm	0.6 kg
03113.0-00	03113.9-00	200 W	2.0 A	3.0 A	108 m ³ /h	119 x 151 x 47 mm	0.9 kg
03114.0-00	03114.9-00	300 W	2.0 A	4.0 A	108 m ³ /h	119 x 151 x 47 mm	0.9 kg
03115.0-00	03115.9-00	400 W	4.0 A	6.3 A	108 m ³ /h	119 x 151 x 47 mm	0.9 kg

X-ON Electronics

Largest Supplier of Electrical and Electronic Components

Click to view similar products for [Other Tools](#) category:

Click to view products by [Stego](#) manufacturer:

Other Similar products are found below :

[CR-05FL7--150R](#) [CR-05FL7--698K](#) [899-2-KT46](#) [899-5-KT46](#) [CR-0AFL4--332K](#) [CR-12FP4--260R](#) [CRCW04021100FRT7](#)
[CRCW04021961FRT7](#) [5800-0090](#) [CRCW04024021FRT7](#) [CRCW040254R9FRT7](#) [CRCW0603102JRT5](#) [59065-5](#) [00-8273-RDPP](#) [00-8729-](#)
[WHPP](#) [593033](#) [593058](#) [593072](#) [593564100](#) [593575](#) [593591](#) [593593](#) [011349-000](#) [LTLA506SBLAMNBL](#) [CRCW08052740FRT1](#) [LUC-](#)
[012S070DSM](#) [LUC-018S070DSP](#) [599-2021-3-NME](#) [599-JJ-2021-03](#) [00-5080-YWPP](#) [5E4750/01-20R0-T/R](#) [LW1A-L1-GL](#) [LW1A-P1-GD](#)
[LW1L-A1C10V-GL](#) [LW1L-M1C70-A](#) [0202-0173](#) [00-9089-RDPP](#) [00-9300-RDPP](#) [CRCW2010331JR02](#) [01-1003W-8/32-10](#) [601-GP-08-](#)
[KT39](#) [601-JJ-06](#) [601-SPB](#) [601YSY](#) [602-JJ-03](#) [602SPB](#) [602Z](#) [603-JJ-07-FP](#) [603-JJY-04](#) [604J](#)