

**maxGUARD
AMG CM**
Weidmüller Interface GmbH & Co. KG

Klingenbergstraße 16

D-32758 Detmold

Germany

Fon: +49 5231 1429-0

Fax: +49 5231 14292083

www.weidmueller.com



Efficient machine and facility operation calls for fail-safe and maintenance-friendly control voltage distribution that can be installed in a time and space-saving manner.

With the new maxGUARD system, the terminal blocks (previously installed separately) for distributing potential to the outputs of the electronic load monitors become an integral part of a 24 V DC control voltage distribution system.

The innovative combination of load monitoring and potential distribution saves time during installation, increases safety against failure and reduces the amount of space required on the terminal rail by 50%.

General ordering data

Type	AMG CM
Order No.	2081900000
Version	Control module, 24 V DC
GTIN (EAN)	4050118419573
Qty.	1 pc(s).

**maxGUARD
AMG CM**

Weidmüller Interface GmbH & Co. KG
Klingenbergstraße 16
D-32758 Detmold
Germany
Fon: +49 5231 1429-0
Fax: +49 5231 14292083
www.weidmueller.com

Technical data
Dimensions and weights

Width	12.2 mm	Width (inches)	0.48 inch
Height	125 mm	Height (inches)	4.921 inch
Depth	96.5 mm	Depth (inches)	3.799 inch
Net weight	56 g		

Temperatures

Operating temperature	-25 °C...55 °C	Storage temperature	-40 °C...85 °C
-----------------------	----------------	---------------------	----------------

Probability of failure

MTTF	410 Years
------	-----------

Input

Connection system	PUSH IN	Current consumption (full load)	225 mA
Current consumption (idle)	25 mA	DC input voltage range	18...30 V DC
Input fuse (internal)	No	Rated input voltage	24 V DC
Surge protection	Suppressor diode	max. admissible residual ripple at the input	100 mVpp

output

Connection system	PUSH IN	Surge protection	Suppressor diode
-------------------	---------	------------------	------------------

General data

Control inputs	ON/ OFF, Reset	Operating temperature	-25 °C...55 °C
Protection degree	IP20	Relay to activate the output	No
Surge voltage category	III		

Insulation coordination

Surge voltage category	III
------------------------	-----

Connection data (input)

Conductor cross-section, AWG/kcmil , max.	12	Conductor cross-section, AWG/kcmil , min.	26
Conductor cross-section, flexible , min.	0.14 mm ²	Conductor cross-section, rigid , max.	2.5 mm ²
Conductor cross-section, rigid , min.	0.14 mm ²	Connection system	PUSH IN
Number of terminals	2 (Reset / ON)	Screwdriver blade	0.6 x 3.5
Wire connection cross section, flexible (input), max.	2.5 mm ²		

Connection data (output)

Conductor cross-section, AWG/kcmil , max.	12	Conductor cross-section, AWG/kcmil , min.	26
Conductor cross-section, flexible , max.	2.5 mm ²	Conductor cross-section, flexible , min.	0.14 mm ²
Conductor cross-section, rigid , max.	2.5 mm ²	Conductor cross-section, rigid , min.	0.14 mm ²
Connection system	PUSH IN	Number of terminals	2 (I< / Alarm)
Screwdriver blade	0.6 x 3.5		

Data sheet

**maxGUARD
AMG CM**

Weidmüller Interface GmbH & Co. KG
Klingenbergstraße 16
D-32758 Detmold
Germany
Fon: +49 5231 1429-0
Fax: +49 5231 14292083
www.weidmueller.com

Technical data

Connection data (signal)

Wire connection cross-section, flexible (signal), max. 2.5 mm²

Signalling

LED green	Operation (failure-free), Early warning: I Out > 90% I Rated (flashing)	LED red	Load monitoring has disconnected, Load monitoring has triggered (flashing), Internal error (rapid flashing)
Transistor output, positive-switching	Pre-warning, Alarm		

Approvals

Institute (cULus)		Certificate no. (cULus)	E258476
-------------------	--	-------------------------	---------

Classifications

ETIM 6.0	EC002057	eClass 6.2	27-37-15-02
eClass 9.1	27-37-10-16		

Approvals

Approvals	
-----------	---

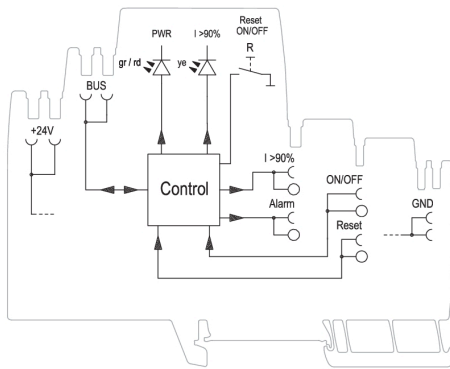
ROHS Conform

Downloads

Brochure/Catalogue	CAT 1 TERM 16/17 EN
Engineering Data	EPLAN, WSCAD, Zuken E3.S
User Documentation	Operating instructions

**maxGUARD
AMG CM**

Weidmüller Interface GmbH & Co. KG
Klingenbergstraße 16
D-32758 Detmold
Germany
Fon: +49 5231 1429-0
Fax: +49 5231 14292083
www.weidmueller.com

Drawings

Schematic circuit diagram

X-ON Electronics

Largest Supplier of Electrical and Electronic Components

Click to view similar products for [weidmuller](#) manufacturer:

Other Similar products are found below :

[8924550000](#) [56956](#) [0133660000](#) [6720000227](#) [6720005111](#) [68676](#) [69718](#) [EXO24CH](#) [7760056348](#) [7940000218](#) [8005181001](#) [8008180000](#)
[8432240000](#) [8463580000](#) [8545830000](#) [8689870000](#) [8705640000](#) [9001080000](#) [9003720000](#) [9004250000](#) [9004780000](#) [9013260000](#)
[9014100000](#) [9019040000](#) [9026010000](#) [9028630000](#) [903708](#) [9037350000](#) [9046290000](#) [9129643500](#) [913155](#) [9159530000](#) [919656](#) [919764](#)
[9202230000](#) [9202850000](#) [9456750000](#) [9457913000](#) [980811](#) [980826](#) [9912800003](#) [9916080000](#) [9916280012](#) [9918380000](#) [9919371205](#)
[9919371224](#) [9925710000](#) [9927480024](#) [1166660000](#) [11751](#)