

**maxGUARD
AMG ELM-8F**
Weidmüller Interface GmbH & Co. KG

Klingenbergstraße 16

D-32758 Detmold

Germany

Fon: +49 5231 1429-0

Fax: +49 5231 14292083

www.weidmueller.com



Efficient machine and facility operation calls for fail-safe and maintenance-friendly control voltage distribution that can be installed in a time and space-saving manner.

With the new maxGUARD system, the terminal blocks (previously installed separately) for distributing potential to the outputs of the electronic load monitors become an integral part of a 24 V DC control voltage distribution system.

The innovative combination of load monitoring and potential distribution saves time during installation, increases safety against failure and reduces the amount of space required on the terminal rail by 50%.

General ordering data

| | |
|------------|---|
| Type | AMG ELM-8F |
| Order No. | 208060000 |
| Version | Electronic load monitoring, 8.00 A, 24 V DC |
| GTIN (EAN) | 4050118419313 |
| Qty. | 1 pc(s). |

**maxGUARD
AMG ELM-8F**

Weidmüller Interface GmbH & Co. KG
 Klingenbergstraße 16
 D-32758 Detmold
 Germany
 Fon: +49 5231 1429-0
 Fax: +49 5231 14292083
 www.weidmueller.com

Technical data**Dimensions and weights**

| | | | |
|------------|---------|-----------------|------------|
| Width | 12.2 mm | Width (inches) | 0.48 inch |
| Height | 125 mm | Height (inches) | 4.921 inch |
| Depth | 96.5 mm | Depth (inches) | 3.799 inch |
| Net weight | 57 g | | |

Temperatures

| | | | |
|-----------------------|----------------|---------------------|----------------|
| Operating temperature | -25 °C...55 °C | Storage temperature | -40 °C...85 °C |
|-----------------------|----------------|---------------------|----------------|

Probability of failure

| | |
|------|-----------|
| MTTF | 350 Years |
|------|-----------|

Input

| | | | |
|--|---------------------------|----------------------------|------------------|
| Current consumption (full load) | $I_{OUT} + 30 \text{ mA}$ | Current consumption (idle) | 25 mA |
| DC input voltage range | 18...30 V DC | Input fuse (internal) | Yes |
| Rated input voltage | 24 V DC | Surge protection | Suppressor diode |
| max. admissible residual ripple at the input | 100 mVpp | | |

output

| | | | |
|--------------------------|----------------------|---------------------------|--------------------------|
| Capacitive load | 15,000 μF | Connection system | PUSH IN |
| Rated current | 8 A | Surge protection | Suppressor diode |
| Switch-on delay | 1 s | Triggering characteristic | see characteristic curve |
| adjustable rated current | No | | |

General data

| | | | |
|------------------------|---------------------------------|------------------------------|----------------|
| Function key | Activation time < 3s, Reset, ON | Operating temperature | -25 °C...55 °C |
| Protection degree | IP20 | Relay to activate the output | No |
| Surge voltage category | III | | |

Insulation coordination

| | |
|------------------------|-----|
| Surge voltage category | III |
|------------------------|-----|

Connection data (output)

| | | | |
|---|---------------------|---|----------------------|
| Conductor cross-section, AWG/kcmil , max. | 12 | Conductor cross-section, AWG/kcmil , min. | 26 |
| Conductor cross-section, flexible , max. | 2.5 mm ² | Conductor cross-section, flexible , min. | 0.14 mm ² |
| Conductor cross-section, rigid , max. | 2.5 mm ² | Conductor cross-section, rigid , min. | 0.14 mm ² |
| Connection system | PUSH IN | Number of terminals | 4 (++ / -) |
| Screwdriver blade | 0.6 x 3.5 | | |

Signalling

| | | |
|-----------|--------------------------|---|
| LED green | LED red | Load monitoring has disconnected, Load monitoring has triggered (flashing), Internal error (rapid flashing) |
| | Operation (failure-free) | |

Data sheet

**maxGUARD
AMG ELM-8F**

Weidmüller Interface GmbH & Co. KG
Klingenbergstraße 16
D-32758 Detmold
Germany
Fon: +49 5231 1429-0
Fax: +49 5231 14292083
www.weidmueller.com

Technical data

Approvals

Institute (cULus)



Certificate no. (cULus)

E258476

Classifications

| | | | |
|------------|-------------|------------|-------------|
| ETIM 6.0 | EC002057 | eClass 6.2 | 27-37-15-02 |
| eClass 9.1 | 27-37-10-16 | | |

Approvals

Approvals



ROHS

Conform

Downloads

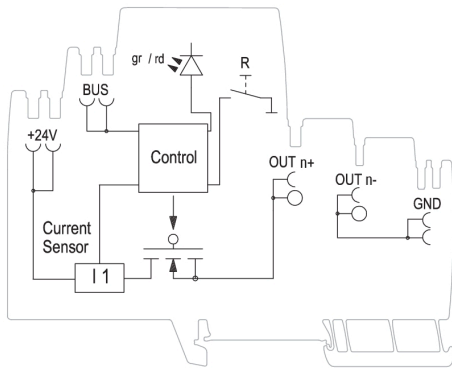
| | |
|--------------------|--|
| Brochure/Catalogue | CAT 1 TERM 16/17 EN |
| Engineering Data | EPLAN, WSCAD, Zuken E3.S |
| User Documentation | Operating instructions |

Data sheet

**maxGUARD
AMG ELM-8F**

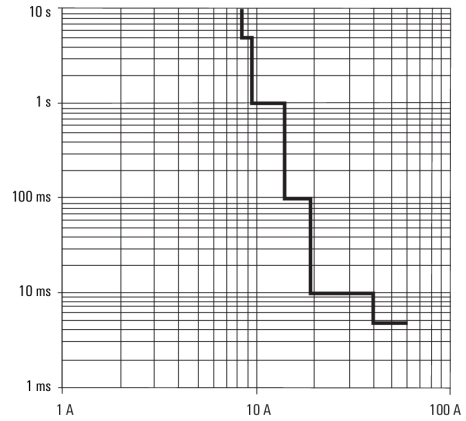
Weidmüller Interface GmbH & Co. KG
 Klingenbergstraße 16
 D-32758 Detmold
 Germany
 Fon: +49 5231 1429-0
 Fax: +49 5231 14292083
 www.weidmueller.com

Drawings



Schematic circuit diagram

Tripping characteristic normal



Tripping characteristic

X-ON Electronics

Largest Supplier of Electrical and Electronic Components

Click to view similar products for [weidmuller](#) manufacturer:

Other Similar products are found below :

[8924550000](#) [56956](#) [0133660000](#) [6720000227](#) [6720005111](#) [68676](#) [69718](#) [EXO24CH](#) [7760056348](#) [7940000218](#) [8005181001](#) [8008180000](#)
[8432240000](#) [8463580000](#) [8545830000](#) [8689870000](#) [8705640000](#) [9001080000](#) [9003720000](#) [9004250000](#) [9004780000](#) [9013260000](#)
[9014100000](#) [9019040000](#) [9026010000](#) [9028630000](#) [903708](#) [9037350000](#) [9046290000](#) [9129643500](#) [913155](#) [9159530000](#) [919656](#) [919764](#)
[9202230000](#) [9202850000](#) [9456750000](#) [9457913000](#) [980811](#) [980826](#) [9912800003](#) [9916080000](#) [9916280012](#) [9918380000](#) [9919371205](#)
[9919371224](#) [9925710000](#) [9927480024](#) [1166660000](#) [11751](#)