

FT260CC SPRING RETURN CABLE REEL



Robust, small reel, ideal for industry, production bays, garages etc.

Torqued to suit Combi Cubes.

The FT260 brings power to any application in a safe and efficient manner. It is a sturdy, all thermoplastic design made from high-quality materials, electrically insulated and corrosion resistant.



Depending on requirements, the desired length of cable is unwound; the remaining cable is neatly stored on the reel - safe from dirt and damage. When the cable connection is no longer required, a short pull on the stopper and the cable neatly rewinds. A spring return cable reel means a safe and organized workplace.

Features:

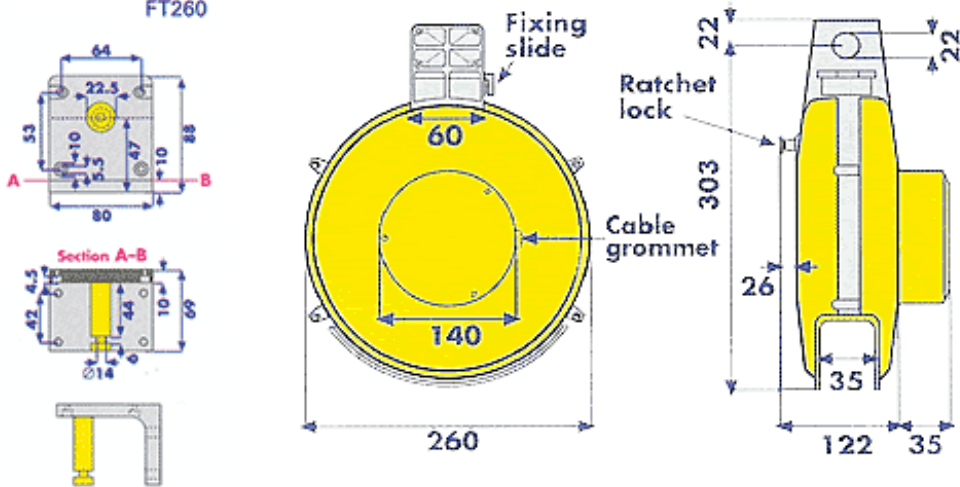
- Adjustable ball stop
- Ratchet on/off facility
- 0.8mOhm contact resistance
- Universal mounting bracket
- IP20 protection
- High quality brass slip ring with silver contacts

Supplied with a variety of lengths, sizes and types of cable, with an operating temperature range of +5°C to +60°C.

See specifications for full range.

Dimensions: FT260CC

Universal bracket for FT260



Specifications: FT260

Model	Cable Length, Cores & Size	Max Load		Weight	Part No
		Wound	Unwound		
FT260.0305 16A 240V**	5m 3 x 2.5	8A	16A	4.0Kg	400007CC
FT260.0305 16A 110V**	5M 3 x 2.5	8A	16A	4.0Kg	400009CC

** No internal fused terminal block, cable must be suitably protected

X-ON Electronics

Largest Supplier of Electrical and Electronic Components

Click to view similar products for [marcaddy](#) manufacturer:

Other Similar products are found below :

[400007CC](#) [428519](#) [428515](#)