



Series 265HC Card Lok

RECOMMENDED GAP WIDTH

PCB + 6.35 mm (.250 in)

RECOMMENDED TORQUE

68 N-cm (6 in-lbs)
With "L" option 90 N-cm (8 in-lbs)

WEIGHT

.89 g/cm (.080 oz/in)

MATERIALS AND FINISH

BODIES AND WEDGES

Material:

Aluminum alloy 6061-T6 per per ASTM-B221 or AMS-QQ-A-200/8

Finish:

See finish table on opposite page

SHAFT

Material:

Alluminum alloy 7075-T6 per ASTM B221 or AMS-QQ-A-200/11

Finish:

See finish table on opposite page

SCREW

.09-in. or 2.5-mm hex. socket head

Material:

300 series stainless steel with dry film lube per MIL-L-46010

ROLLPINS AND FLAT WASHER

Material:

400 series stainless steel

Finish:

Passivated per AMS2700

LOCK WASHER

Material:

MS35338-135

Finish:

Passivated per AMS2700

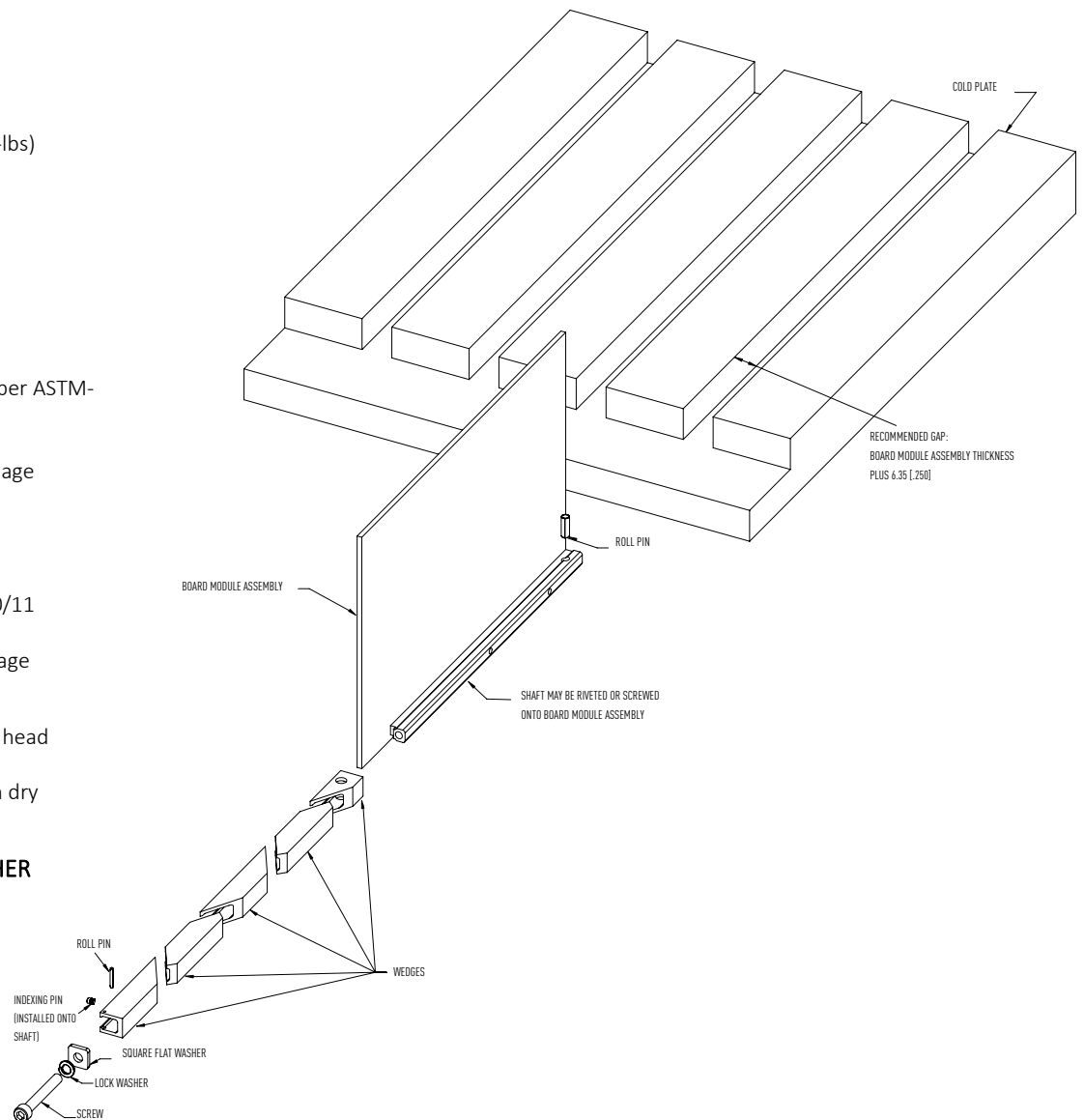
INDEXING PINS

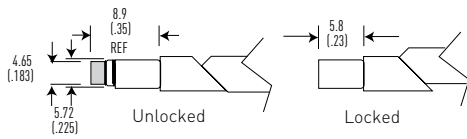
Material:

Aluminum alloy 6061-T6

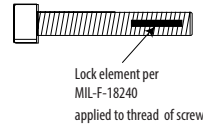
Finish:

See finish table on opposite page

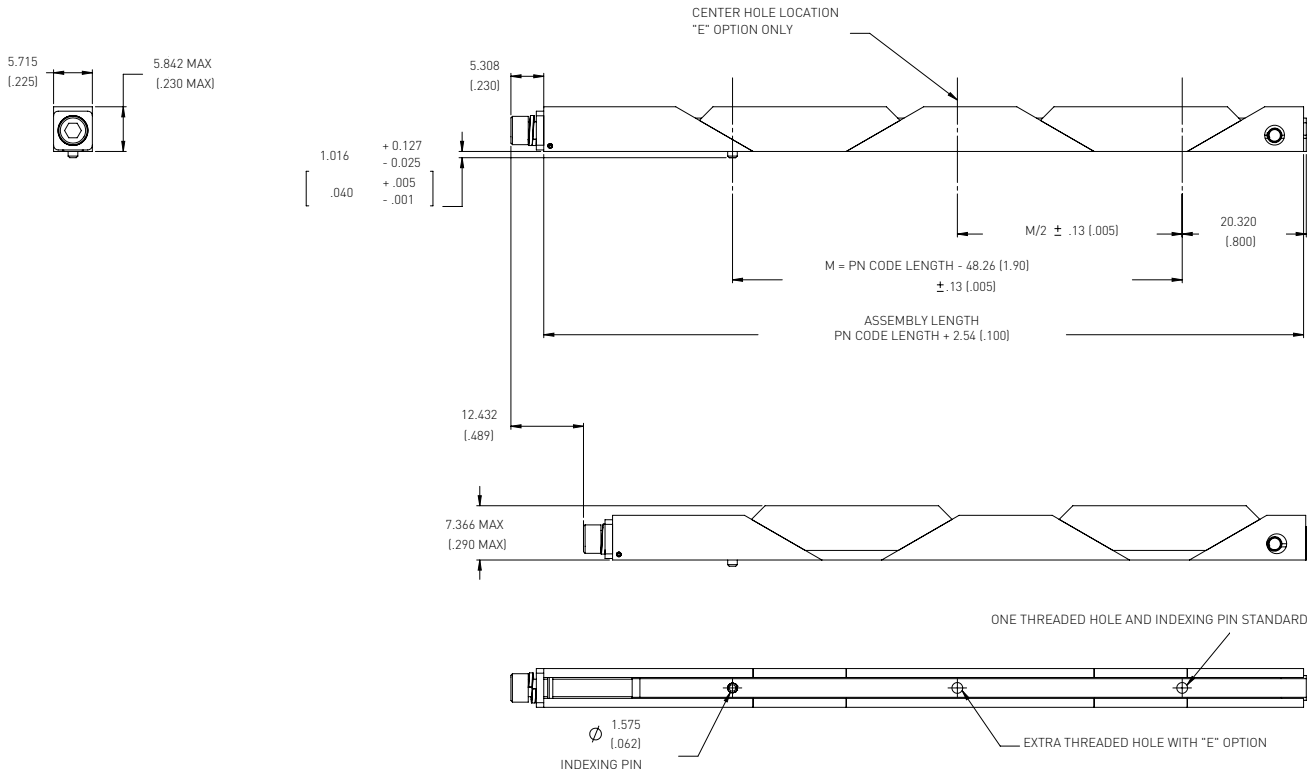




Detail "V"
Provides visual lock indication



Detail "L"
Provides prevailing torque for resistance to loosening from shock and vibration. Adds 22 N-cm (2 in-lbs) torque to assembly.



Part Number Code		Series 265HC Card-Lok Five Piece	
M	V	A	265HC - 3.80 E H L
Prefix options			
Metric Screw Head M2.5 Hex Drive		M	
Standard Screw Head 3/32 Hex Drive		[blank]	
Visual Indicator		V	
No Visual Indicator		[blank]	
Black Anodize		A	
or choose from Finish Table		see table	
Suffix options			
Length in 12.7 (.50) increments		96.52 (3.80)	
		to 172.72 (6.80)	
Additional Center Mounting Hole		E	
None		[blank]	
Mounting Options - through mounting holes		H	
or choose from Mounting Method Table		see table	
Lock Element		L	
None		[blank]	

FINISH TABLE	
Code Letter	Finish
"A"	Black Anodize per Mil-A-8625 Type II, Class 2
"HA"	Hard Black Anodize per Mil-A-8625 Type III, Class 2
"EN"	Electroless Nickel per Mil-C-26074 Class 4, Grade B, Bright

MOUNTING METHOD TABLE	
Code Letter	Method
"H"	Ø1.73/1.85 (.068/.073) dia. through holes countersink 100° x 1.50 (.06) deep
"T0"	0-80 tapped hole
"T2"	2-56 tapped hole
"TM2"	M2 x 0.40 tapped hole
"TM2.5"	M2.5 x 0.45 tapped hole

Part Number Code Example:
MVA265HC-3.80ET2L
Series 265HC Card-Lok five piece 96.52 (3.80) long black anodized with M2.5 hex drive, visual indicator, mounting holes tapped for 2-56 thread, with locking element.

X-ON Electronics

Largest Supplier of Electrical and Electronic Components

Click to view similar products for [schroff](#) manufacturer:

Other Similar products are found below :

[24566-125](#) [14575171](#) [14575271](#) [14576145](#) [14575265](#) [20117-156](#) [20817772](#) [20827088](#) [20846211](#) [20860229](#) [21100777](#) [23022602](#) [23130082](#)

[24571331](#) [24571586](#) [24572066](#) [24822075](#) [26230-374](#) [30817-001](#) [30825080](#) [20849021](#) [20860240](#) [23001021](#) [24560080](#) [24571303](#)

[24572054](#) [24572056](#) [30219-113](#) [20848-410](#) [20838-125](#) [20860-601](#) [20860-633](#) [10225-602](#) [10225-623](#) [10828058](#) [13100103](#) [28230-439-C](#)

[24563-457](#) [24563-444](#) [20848-601](#) [21101-853](#) [20818-020](#) [21101-847](#) [24563-134](#) [24564-431](#) [24827-107](#) [24563-142](#) [24563-157](#) [24563-442](#)

[A265HC-5.80EH](#)