



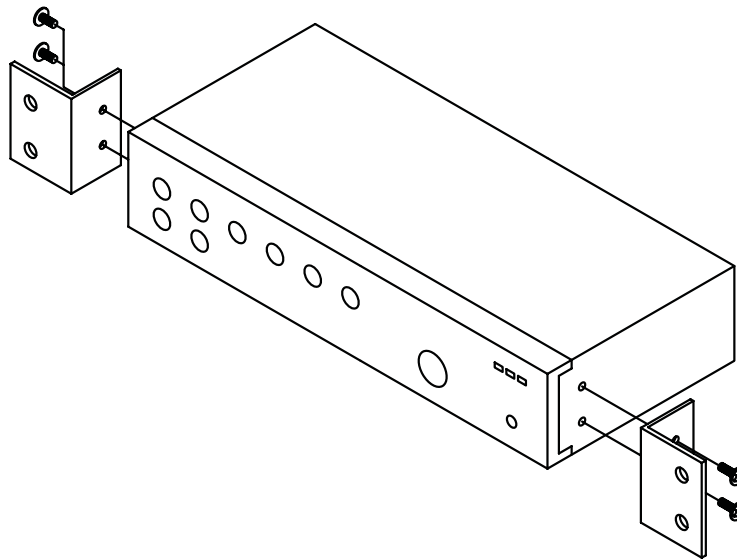
AARMK2-0 Kit Contains:

- (2) Rack Ears
- (4) Rack Ear Chassis Screws
- (4) Rack Rail Screws with Plastic Washers

Instructions:

1. Disconnect amplifier from electrical source.
2. Remove the two front screws from both sides of amplifier.
3. Align a rack ear to either side of the amplifier with the chassis holes left by the screws removed in step 2
(See Diagram 1). Use the enclosed chassis screws to attach the rack ears. Secure firmly, do not over tighten.
4. Remove the four feet.
5. Install in rack using the rack rail screws and washers provided.

Diagram 1: Attaching Rack Ears



Specifications are subject to change without notice



**Atlas
Sound**

AtlasSound.com

X-ON Electronics

Largest Supplier of Electrical and Electronic Components

Click to view similar products for [atlas sound manufacturer](#):

Other Similar products are found below :

[SD72](#) [AAGRMK2](#)