

# AV series

Security pushbutton switches •  
 Ø 30 mm • illuminated momentary NC/NO



## DISTINCTIVE FEATURES

- Large actuator
- With illuminated ring
- Momentary NC/NO
- Solder lug, flying lead or cable terminals
- Marking available on request



## ENVIRONMENTAL SPECIFICATIONS

- Optional front panel sealing : IP67 according to IEC 60529
- Robustness : IK06 according to EN 62262 (1 joule)
- Operating temperature : -30 °C to +85 °C (-22 °F to +185 °F)



## ELECTRICAL SPECIFICATIONS

- Max. current/voltage rating with resistive load : 1 A 30 VDC
- LED voltage : 12 VDC, 24 VDC or 48 VDC  
(If not supplied by APEM, a resistor must be series-connected by the user)\*\*
- Initial contact resistance : 100 mΩ max.
- Insulation resistance : 10 MΩ min. at 500 VDC
- Dielectric strength : 500 Vrms 50 Hz min. between terminals  
1,000 Vrms 50 Hz min. between terminals and frame
- Electrical life : 250,000 cycles at full load

\*\*Resistor value =  $\frac{\text{supply voltage} - \text{LED forward voltage}}{\text{LED forward current}}$



## GENERAL SPECIFICATIONS

- Travel : 2.5 mm ± 0.3 mm (.003)
- Operating force : 5 N ± 2 N
- Torque : 10 Nm max.
- Panel thickness : 1 (.039) to 6 mm (.236) max.
- Low level or mechanical life : 1,000,000 cycles
- Hand soldering : 350 °C (662 °F), 5 seconds max.

The company reserves the right to change specifications without notice.



# AV series

Security pushbutton switches •  
Ø 30 mm • illuminated momentary NC/NO

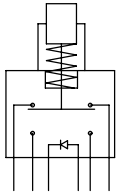


## MATERIALS

- Case : polyamide, glass filled
- Contacts : silver
- Bushing : see following pages
- Actuator : see following pages
- Elastomeric membrane : silicone
- LED



## ELECTRICAL FUNCTIONS



NC/NO



## MOUNTING

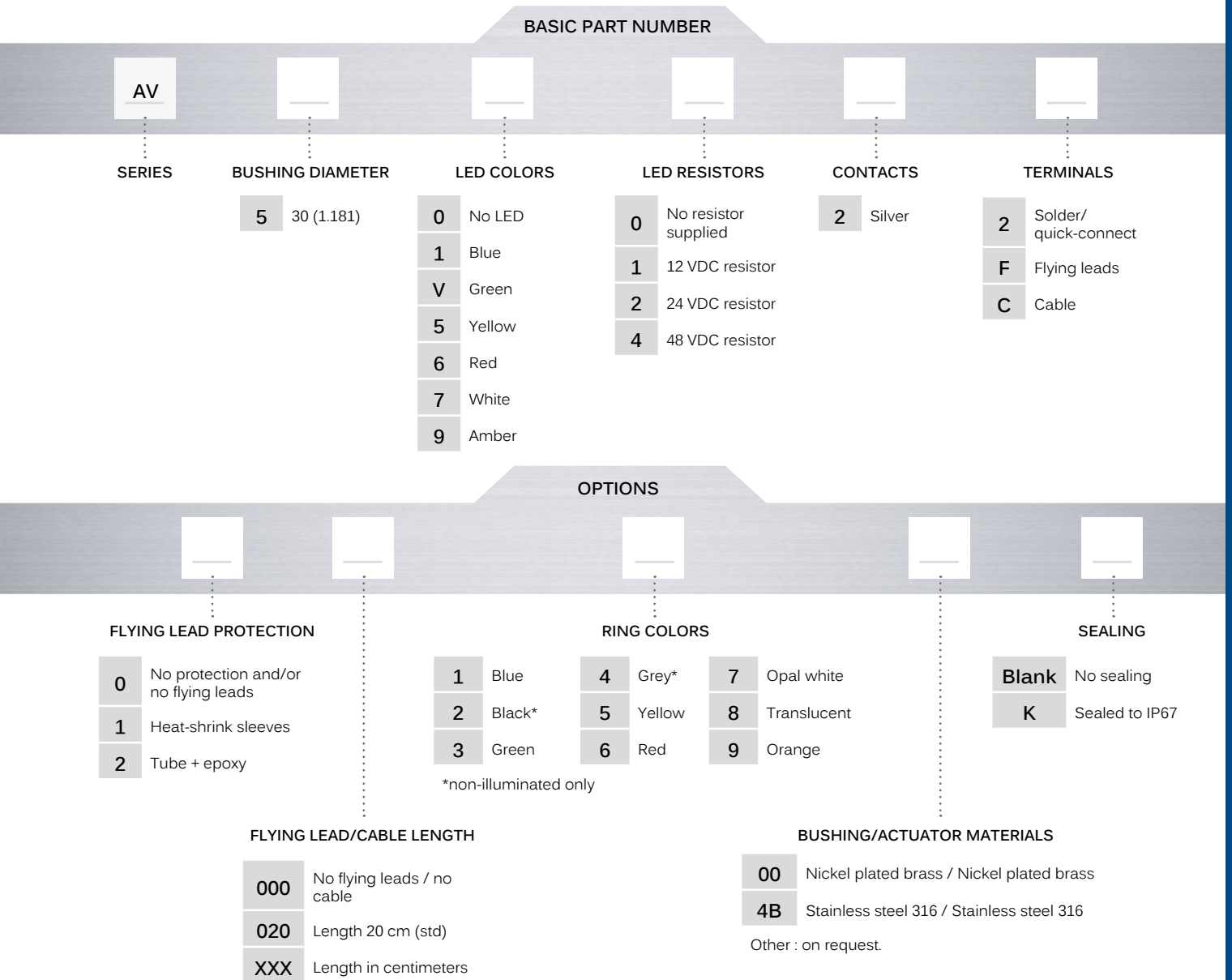
- Panel cut-out : Ø 30.2 mm (1.189)
- Min. pitch for matrix mounting :  
44 mm x 44 mm (1.732x1.732)

# AV series

Security pushbutton switches •  
 Ø 30 mm • illuminated momentary NC/NO



## BUILD YOUR PART NUMBER



## ABOUT THIS SERIES

On the following pages, you will find successively basic part numbers of switches and options in the same order as in above chart

- ⚠ **Notice:** please note that not all combinations of above numbers are available. Refer to the following pages for further information.
- 🔧 **Mounting accessories:** standard hardware supplied : 1 hex nut. Standard and special hardware is presented in the "Hardware" section of website.

# AV series

Security pushbutton switches •  
 Ø 30 mm • illuminated momentary NC/NO

## FLAT ACTUATOR - SOLDER LUG TERMINALS



Illuminated\*  
**AV5•022**

Non-illuminated  
**AV50022**

\* Select LED color on previous page - No LED resistor supplied on this model.

## FLAT ACTUATOR - FLYING LEAD TERMINALS



Illuminated\*  
**AV5••2F**

Non-illuminated  
**AV5002F**

\* Select LED color & resistor on previous page.

## FLAT ACTUATOR - CABLE TERMINALS

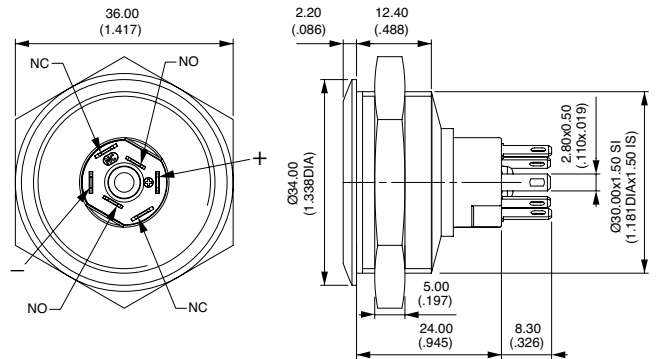


Illuminated\*  
**AV5••2C**

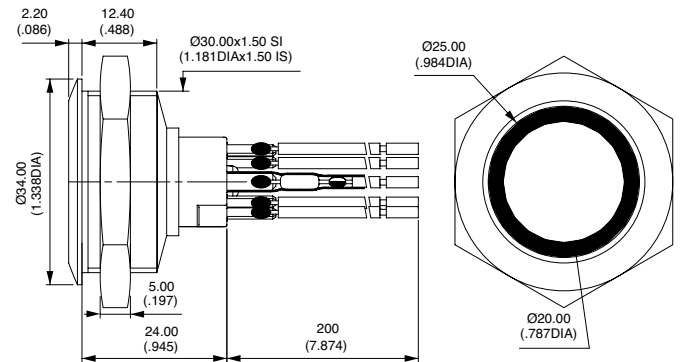
Non-illuminated  
**AV5002C**

\* Select LED color & resistor on previous page.

Plastic hex nut 36 (1.417) across flats

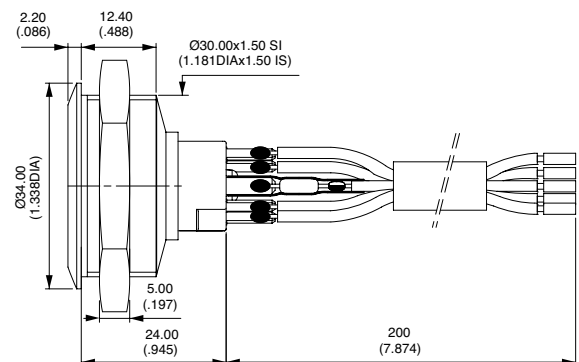


Plastic hex nut 36 (1.417) across flats



Wire colors : black: NC, orange: NO, red: LED anode (+), blue : LED cathode (-)

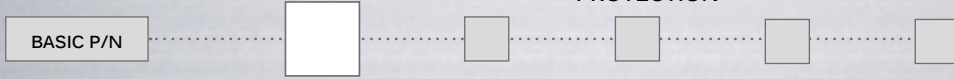
Plastic hex nut 36 (1.417) across flats



# AV series

Security pushbutton switches •  
 Ø 30 mm • illuminated momentary NC/NO

## FLYING LEAD PROTECTION



- 0 No protection and/or no flying leads
- 1 Heat-shrink sleeves
- 2 Tube + epoxy

## FLYING LEAD/CABLE LENGTH



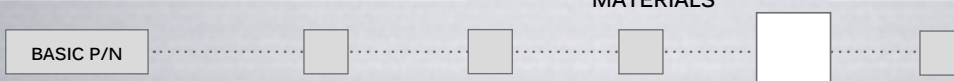
- 000 No flying leads / no cable
- 020 Length 20 cm (standard)
- XXX Length in centimeters

## RING COLORS



- 1 Blue \* non-illuminated only
- 2 Black \*
- 3 Green
- 4 Grey \*
- 5 Yellow
- 6 Red
- 7 Opal white (std)
- 8 Translucent
- 9 Orange

## BUSHING/ACTUATOR MATERIALS



CODE	BUSHING	ACTUATOR
00 (std)	Nickel plated brass	Nickel plated brass
4B	Stainless steel 316	Stainless steel 316

Other : on request.

## SEALING



- Blank No sealing
- K Front panel sealing to IP67

### OPTION K



- ① - internal membrane
- ② - external gasket

## X-ON Electronics

Largest Supplier of Electrical and Electronic Components

*Click to view similar products for [apem](#) manufacturer:*

Other Similar products are found below :

[48](#) [TW11GRY1](#) [SLB13814](#) [SLC120025](#) [DA04T](#) [Q6F1CXXB24](#) [SLG12004](#) [SLB1281R5](#) [DPL-02](#) [DA08](#) [5D15F1534](#) [M11L0A1M](#)  
[M11L0B1M](#) [M21L0E1C](#) [M31L0M1M](#) [CW-A0BK1A00A0](#) [MAB6B](#) [A019101](#) [A019305](#) [A019409](#) [A029301](#) [A1PCA0X106J103](#)  
[Q16F1BXXR12E](#) [Q22F1BXXY12E](#) [Q22F1CXXB24E](#) [Q22F1CXXG12E](#) [Q8P1BXXY110E](#) [Q8P3BXXG12E](#) [Q8P7BZZRYG12E](#)  
[Q8R3BXXG02E](#) [121442RA](#) [HF-33S10](#) [HF44R11](#) [HF45R10](#) [HFX44S00](#) [DMR10](#) [DSR04T](#) [AV0830C900](#) [AV19810KMZB](#) [MSS22](#)  
[BD150A01RE0000](#) [BD150D02BK1200](#) [HS1T24GA](#) [1D09034](#) [1Z03](#) [1ZZ](#) [NZAA0477](#) [NZAA1475](#) [NZAB1475](#) [NZAB1477](#)