

 **LABFACILITY**
TEMPERATURE & PROCESS TECHNOLOGY**About Labfacility**

Formed in 1971, Labfacility specialize in the field of Temperature and Process Measurement.

We are the largest UK manufacturer of both temperature sensors and thermocouple connectors.

Quality & Service

Quality and Service are key elements in the continued growth of Labfacility.

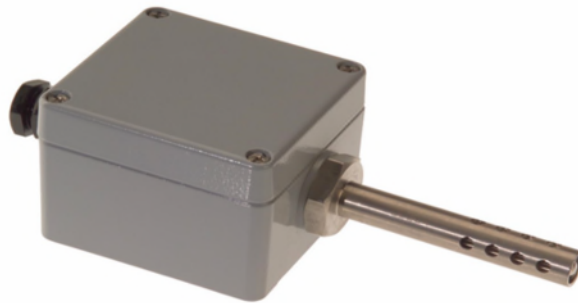
Technical support is always freely available from our experienced technical sales teams and the company has ISO9001 accreditation.

Contact Details

Email
sales@labfacility.com

Website
www.labfacility.com

Platinum Resistance Thermometer Pt100 Outdoor/Cold Store Temperature Sensors – IP67 Weatherproof Housing



- Weatherproof IP67 rated wall mounting Pt100 for accurate outdoor air temperature sensing
- Painted Die-Cast Aluminium Housing L80 x W74 x H54mm
- Perforated stainless steel probe, 12.7mm x 75mm
- Surface mounting
- Pt100, class B to IEC 751
- Temperature range -50 to 150°C
- M20 cable entry gland

dual element:

Duplex 2 x 4 wire with two independent sensing elements, allowing connection to two measurement or control devices; alternatively, one sensor may be used as a primary and the other as a back-up, eliminating the need to remove and replace the probe if one of the sensors should fail – can be connected to any Pt100 2, 3 or 4 wire instrument

single element with 4-20mA output:

Includes integral transmitter which converts the Pt100 sensor output to a standard industrial 4 to 20mA output signal over pre-configured range of -50 to +150°C. It is also configurable by the user allowing range and burnout direction to be changed. It also allows the user to trim output current at either 4 or 20mA



About Labfacility

Formed in 1971, Labfacility specialize in the field of Temperature and Process Measurement.

We are the largest UK manufacturer of both temperature sensors and thermocouple connectors.

Quality & Service

Quality and Service are key elements in the continued growth of Labfacility.

Technical support is always freely available from our experienced technical sales teams and the company has ISO9001 accreditation.

Contact Details

Email
sales@labfacility.com

Website
www.labfacility.com

Specifications

Construction: Housing – Painted Die-Cast Aluminium
 Probe – 12.7mm diameter x 75mm long 316 stainless steel sheath.
 Probe temperature range: -50°C to +150°C
 Cable entry: M20 Nylon cable entry gland

Sensor type	No. of elements	Pt100 connection	4-20mA output	Order code
Pt100	Duplex	2 x 4 wire	No	XF-1111-FAR
Pt100	Single	3 wire	Yes (2 wire)	XF-1112-FAR

TRANSMITTER SPECIFICATION @ 20 °C

INPUT

Sensor Type	PT100 100R @ 0°C 2 or 3 Wire
Sensor Range	(-200 to +850) °C (18 to 390) Ω
Sensor Connection	Screw terminal
Minimum span (*1)	25°C
Linearisation	BS EN 60751(IEC 751) standard /JISC 1604
Measurement Accuracy (*2)	0.2°C ± 0.05% of Reading
Thermal Drift	0.0025 % / °C
Excitation current	<200 uA
Lead Resistance effect	0.002 °C / Ohm
Maximum lead Resistance	20 Ohms per leg

LABFACILITY

TEMPERATURE & PROCESS TECHNOLOGY

About Labfacility

Formed in 1971, Labfacility specialize in the field of Temperature and Process Measurement.

We are the largest UK manufacturer of both temperature sensors and thermocouple connectors.

Quality & Service

Quality and Service are key elements in the continued growth of Labfacility.

Technical support is always freely available from our experienced technical sales teams and the company has ISO9001 accreditation.

Contact Details

Email
sales@labfacility.com

Website
www.labfacility.com

OUTPUT

Output	Type 2 wire (4 to 20) mA current loop
Output range	(4.0 to 20.0) mA
Output Connection	Screw Terminal
Maximum output	21.5mA (in high burnout condition)
Minimum output	<3.9 mA (in low burnout condition)
Accuracy (Whichever is the greater)	(mA output /2000) or 5 uA
Loop Voltage effect	0.2 uA / V
Thermal drift	1 uA / °C
Maximum output load (Example: 700 Ohms @ 24V)	$[(V_{supply}-10)/21]K$ Ohms

GENERAL SPECIFICATION

Update time	500 ms
Response Time	1 second
Start-up time	4 seconds (I out < 4 mA during start up)
Warm-up time	1 minutes to full accuracy
Power Supply	(10 to 30) Volts dc

PUSH BUTTON CONFIGURATION

A single push button and LED indicator allows the user to navigate a three menus, allowing configuration of the transmitter. The menus are as follow: -

Menu 1 Configure range.

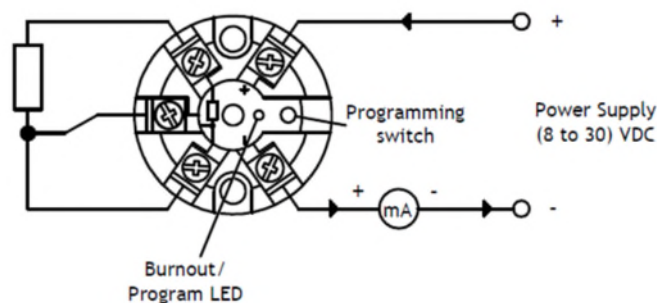
Menu 2 Configure burnout direction.

Menu 3 Trim output current @ either 4 mA or 20 mA

ENVIRONMENTAL

Ambient operating range	(-40 to +85) °C
Ambient storage temperature	(-50 to +90) °C
Ambient humidity range	(10 to 90) % RH non condensing

WIRING CONNECTIONS



X-ON Electronics

Largest Supplier of Electrical and Electronic Components

Click to view similar products for [labfacility manufacturer](#):

Other Similar products are found below :

[CT-Z4-PFA-K-2](#) [MD-ISK-S45-250-P5-IEC](#) [MC-ISK-S60-300-KNS-I](#) [RAA-S3A-60-100-P1-2.0-C1-T](#) [WT-304-ANSI X 100M](#) [IM-B-PCB](#)
[XF-945-FAR](#) [XF-946-FAR](#) [XF-947-FAR](#) [XF-949-FAR](#) [XF-955-FAR](#) [XF-960-FAR](#) [XF-962-FAR](#) [XF-966-FAR](#) [XF-989-FAR](#) [XF-1216-](#)
[FAR](#) [XF-1172-FAR](#) [XF-1222-FAR](#) [XF-1238-FAR](#) [XF-1190-FAR](#) [XF-1109-FAR](#) [XF-1110-FAR](#) [XF-1140-FAR](#) [XF-1111-FAR](#) [XF-1112-](#)
[FAR](#) [XF-1136-FAR](#) [XF-1149-FAR](#) [XF-1150-FAR](#) [XF-1151-FAR](#) [XF-1146-FAR](#) [XF-1245-FAR](#) [XF-1249-FAR](#) [XF-1113-FAR](#) [XF-1178-](#)
[FAR](#) [XF-1180-FAR](#) [XF-1183-FAR](#) [XF-1184-FAR](#) [XF-1255-FAR](#) [XF-1258-FAR](#) [XF-1265-FAR](#) [XF-1266-FAR](#) [XF-1274-FAR](#) [XF-1277-](#)
[FAR](#) [XF-1283-FAR](#) [XF-1288-FAR](#) [XF-1293-FAR](#) [XF-1300-FAR](#) [XF-1307-FAR](#) [XF-1316-FAR](#) [XF-1319-FAR](#)