



**IEC 1/2"UNF-20 Melt Bolt Thermocouple with Type 'J' Thermocouple Plug**  
 A choice of 76mm (3") or 152mm (6") bolt lengths with 5mm immersion



**About Labfacility**

Formed in 1971, Labfacility specialize in the field of Temperature and Process Measurement.

We are the largest UK manufacturer of both temperature sensors and thermocouple connectors.

**Quality & Service**

Quality and Service are key elements in the continued growth of Labfacility.

Technical support is always freely available from our experienced technical sales teams and the company has ISO9001 accreditation.

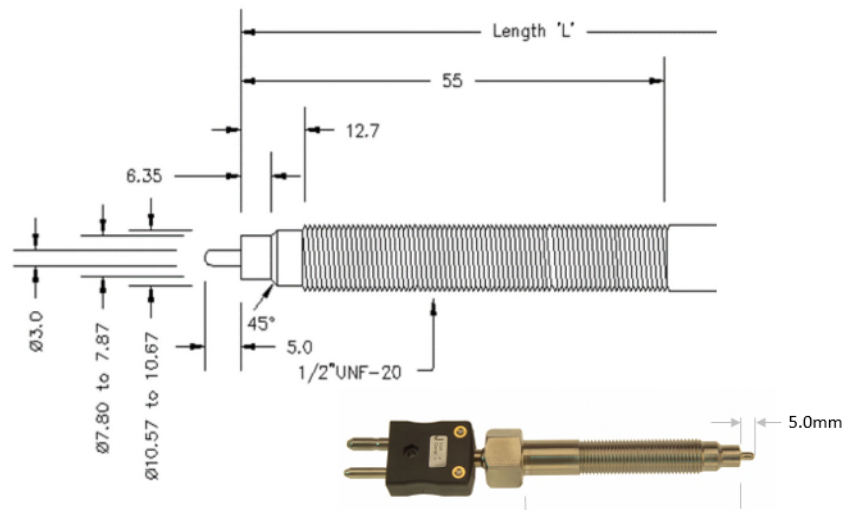
**Contact Details**

Email [sales@labfacility.com](mailto:sales@labfacility.com)

Website [www.labfacility.com](http://www.labfacility.com)

- Type 'J' (Iron/Constantan) Melt Bolt Thermocouple
- Typically used in plastics extruders and injection moulders
- Designed to withstand high pressure applications experienced with molten plastics & polymers
- Stainless steel bolt with 1/2"UNF-20 thread
- Choice of 76mm or 152mm bolt lengths
- 5mm long (x 3mm diameter) immersion length
- Temperature range to 500°C
- Insulated hot junction
- Standard plug termination (round pin)
- Tolerance & colour code in accordance with IEC-584 specification

T/C Type	Thread	Bolt Length ('L')	Tip Immersion Length	order Code
J (Iron/Con)	1/2"UNF-20	76mm (3" inch)	5.0mm (3.0mm diameter)	XF-1022-FAR
J (Iron/Con)	1/2"UNF-20	152mm (6" inch)	5.0mm (3.0mm diameter)	XF-1023-FAR



FAR179-0917 IEC 1/2"UNF-20 Melt Bolt Thermocouple with Type 'J' Thermocouple Plug



## X-ON Electronics

Largest Supplier of Electrical and Electronic Components

*Click to view similar products for [labfacility manufacturer](#):*

Other Similar products are found below :

[CT-Z4-PFA-K-2](#) [MD-ISK-S45-250-P5-IEC](#) [MC-ISK-S60-300-KNS-I](#) [RAA-S3A-60-100-P1-2.0-C1-T](#) [WT-304-ANSI X 100M](#) [IM-B-PCB](#)  
[XF-945-FAR](#) [XF-946-FAR](#) [XF-947-FAR](#) [XF-949-FAR](#) [XF-955-FAR](#) [XF-960-FAR](#) [XF-962-FAR](#) [XF-966-FAR](#) [XF-989-FAR](#) [XF-1216-](#)  
[FAR](#) [XF-1172-FAR](#) [XF-1222-FAR](#) [XF-1238-FAR](#) [XF-1190-FAR](#) [XF-1109-FAR](#) [XF-1110-FAR](#) [XF-1140-FAR](#) [XF-1111-FAR](#) [XF-1112-](#)  
[FAR](#) [XF-1136-FAR](#) [XF-1149-FAR](#) [XF-1150-FAR](#) [XF-1151-FAR](#) [XF-1146-FAR](#) [XF-1245-FAR](#) [XF-1249-FAR](#) [XF-1113-FAR](#) [XF-1178-](#)  
[FAR](#) [XF-1180-FAR](#) [XF-1183-FAR](#) [XF-1184-FAR](#) [XF-1255-FAR](#) [XF-1258-FAR](#) [XF-1265-FAR](#) [XF-1266-FAR](#) [XF-1274-FAR](#) [XF-1277-](#)  
[FAR](#) [XF-1283-FAR](#) [XF-1288-FAR](#) [XF-1293-FAR](#) [XF-1300-FAR](#) [XF-1307-FAR](#) [XF-1316-FAR](#) [XF-1319-FAR](#)