

Snap-In Nylon Illuminated Rocker



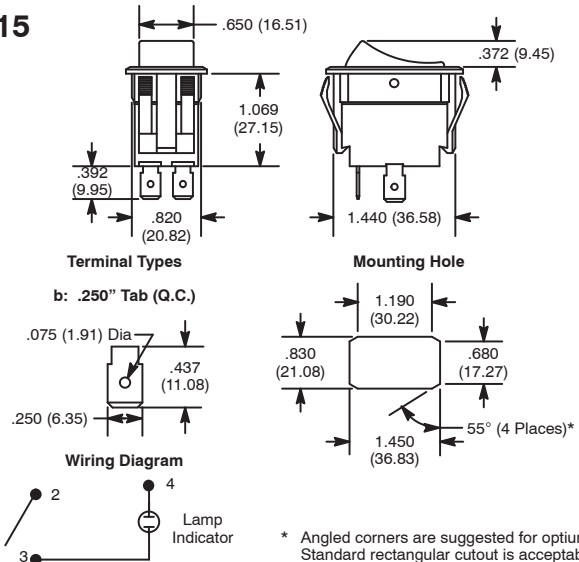
Features

- AC Rated, Also Suitable for Low Voltage DC Applications



NTE Type No.	Circuitry	Action			Actuator		Lens Color	Diag No.
					Material	Color		
54-029	SPST	ON	NONE	OFF	Nylon	White	Green	S15b
54-053	SPST	ON	NONE	OFF	Nylon	Black	Amber	S15b

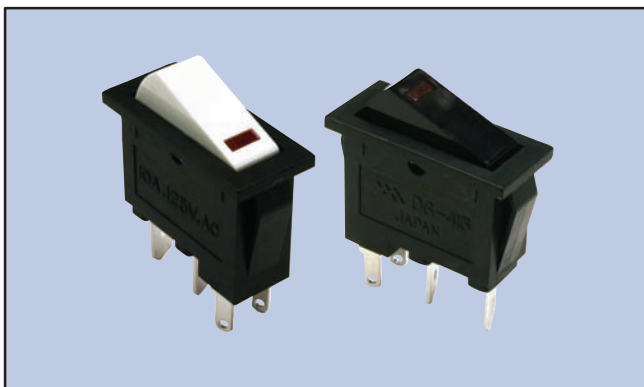
S15



Specifications

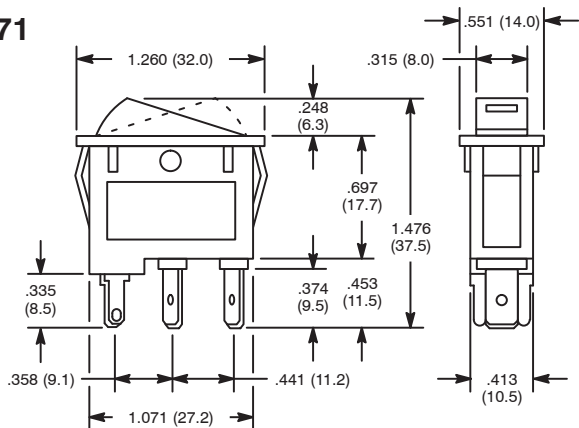
Current Rating: 15A 125VAC, 10A 250VAC, 1/2 HP 125-250VAC
Lamp Voltage: 125V Neon (54-053), 18V Incandescent (54-029)
Insulation Resistance: 100 Megohms (min.)
Dielectric Strength: 1000V RMS (min.)
Temperature Rating: +32° to +185°F (0° to +85°C)
Electrical Life: 50,000 cycles
Mechanical Life: 100,000 cycles
Terminal Type: .250" Tab Q.C.
Mounting Hole: 1.450 (36.83) x .830 (21.08)

Snap-In Illuminated Rocker



NTE Type No.	Circuitry	Action			Actuator		Lens Color	Diag No.
					Material	Color		
54-386	SPST	ON	NONE	OFF	Polycarbonate	White	Red	S71
54-387	SPST	ON	NONE	OFF	Polycarbonate	Black	Red	S71

S71



Specifications

Current Rating: 10A 125VAC
Lamp Voltage: 2.1V LED
Insulation Resistance: 100 Megohms (min.) at 500VDC
Dielectric Strength: 1000V RMS (min.)
Temperature Rating: +14° to +131°F (-10° to +55°C)
Electrical Life: 20,000 cycles
Mechanical Life: 30,000 cycles
Terminal Type: .250" Tab Q.C.
Mounting Hole: 1.189 (30.2) x .433 (11.0)

X-ON Electronics

Largest Supplier of Electrical and Electronic Components

Click to view similar products for [nte manufacturer](#):

Other Similar products are found below :

[747](#) [797](#) [868](#) [1724](#) [NEH680M50FE](#) [NEHH1.0M450CB](#) [NTE48](#) [NTE526A](#) [228A](#) [231](#) [954](#) [2023](#) [47-20848-R](#) [510](#) [R04-11A30-120](#) [04-SLPE3750A](#) [5615](#) [591](#) [7056](#) [NTE5710](#) [7448](#) [NEH.10M50AA](#) [NEH2.2M63AA](#) [NEH330M35DD](#) [NEH33M10AA](#) [NEV.22M100AA](#) [TP0006-100](#) [NTE182](#) [NTE528](#) [NTE542](#) [NTE74154](#) [WH20-02-25](#) [04-SCBW25L-BK](#) [04-SCBW32L-BK](#) [04-SCW10C-BK](#) [04-SCBW19L-GR](#) [04-SCW19L-WH](#) [04-SCW19L-OR](#) [04-SCW38L-WH](#) [04-SCBW50L-OR](#) [04-SCBW50L-GR](#) [04-SCW10C-GR](#) [04-SCW10C-OR](#) [04-SCBW32L-GR](#) [04-SCBW32L-WH](#) [04-SCBW32L-OR](#) [04-SCBW6C-WH](#) [04-SCBW6C-GR](#) [04-SCBW6C-OR](#) [04-SCBW25L-GR](#)