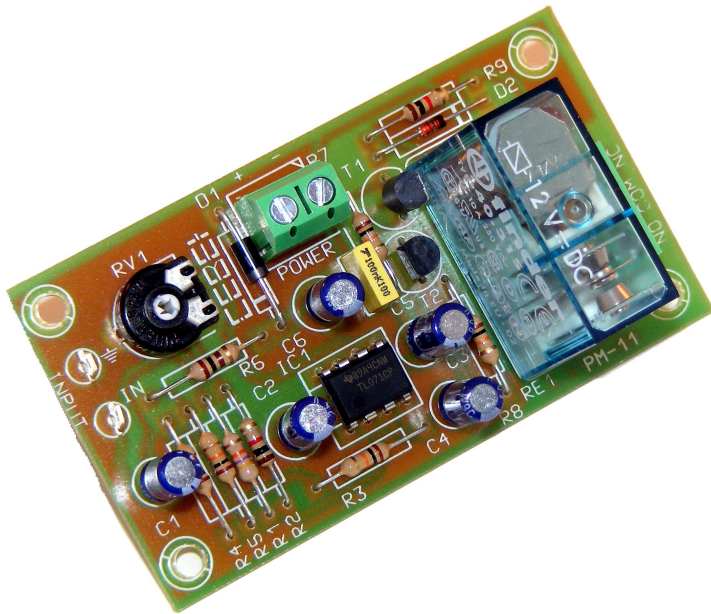




VOX CONTROL PM-11



THECNICAL CHARACTERISTICS

Voltage.....	9 -15 V. D.C.
MinimumConsumption.....	2 mA.
MaximumConsumption.....	60 mA.
MinimumInput Signal.....	10 mV.
MaximumInput Signal.....	300 mV.
Output Impedance.....	560
Input Impedance.....	1 K
Frequency Margin.....	30 - 17 000 Hz.
Protection Against Polarity Inversions.....	Yes.
Sizes.....	75 x 42 x 30 mm.

The PM-11module is a mono previous with relay output. When the module receive the Audio input signal the output will be connected activating the relay.

Specially recommended for automatic applications where the audio signal or the voice is important. It included a potentiometer to adjust the sensitivity and a protection against polarity inversion.

POWER SUPPLY. The PM-11 circuit had to be supplied by a voltage between 9 and 15 V DC., perfectly stabilised to avoid to damage the module.

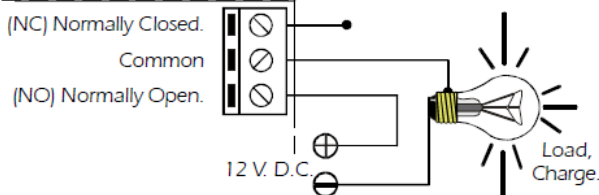
Then, we recommended you the FE-2 power supply which has been developed to perfectly answer to the circuit needs. Connect the positive of the power supply to the positive terminal indicated in the wiring map, then connect also the negative of the power supply to the negative terminal indicated in the circuit. Verify that the assembly has been correctly done.

OPERATION. Connect input signal and input terminal indicated in the General Wiring Map. In the installation, the distance between the sound source and the PM-11 had to be as short as possible and as maximum30 cm. More over, you have to use a low frequency shielded cable. The input signal could be the signal supplied by auxiliaries input as mixers, desks, etc.. but this last have to be inferior than 300 mV. as maximumlevel.

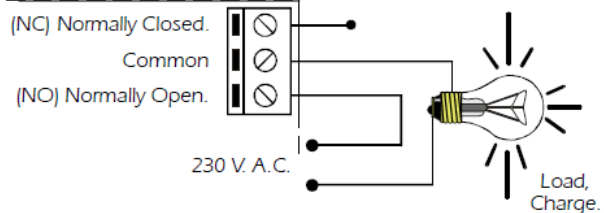
Connect input and output with the power supply. Each time the module will receive an audio signal, it will connect the output, activating the relay which will be connected till it stop to receive signal. If you wish to adjust the sensitivity level, you have to use the potentiometer indicated in the General Wiring Map.

OUTPUT CONNECTION OF THE LOAD. The output Module (PM-11) is controlled by a relay, allowing any load until 5 A. as maximumconsumption. The operating of this mechanism is the same as a switch, opening or closing its terminals to allow not to supply the module, with two (2) terminals NA and common. To obtain the reverse operating, you have to use NC and Common terminals. In the Output connection paragraph, you could appreciate the typical connection for a devices operating at 12 VDC and to operate at 220 VAC.

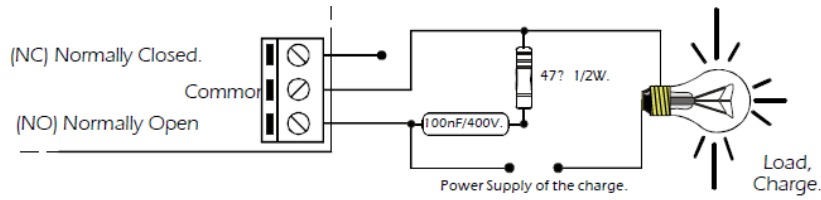
CONEXION A 12 V. C.C.



230 V. A.C. TO CONNECTION

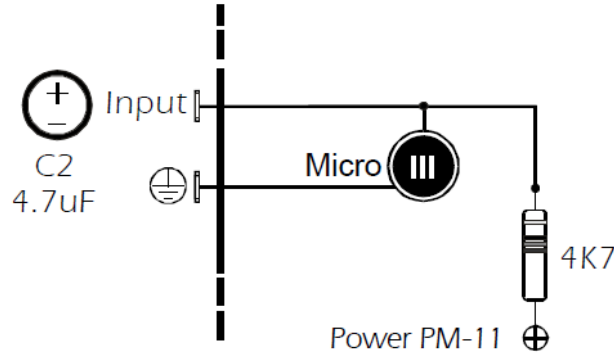


During the operating, and according to its load, it is possible that a fluctuation appear and/or an incorrect output operating. If it is the case, you have to install a circuit against sparks (resistor or capacitor) between both relay contacts used for the connection. (see the drawing)

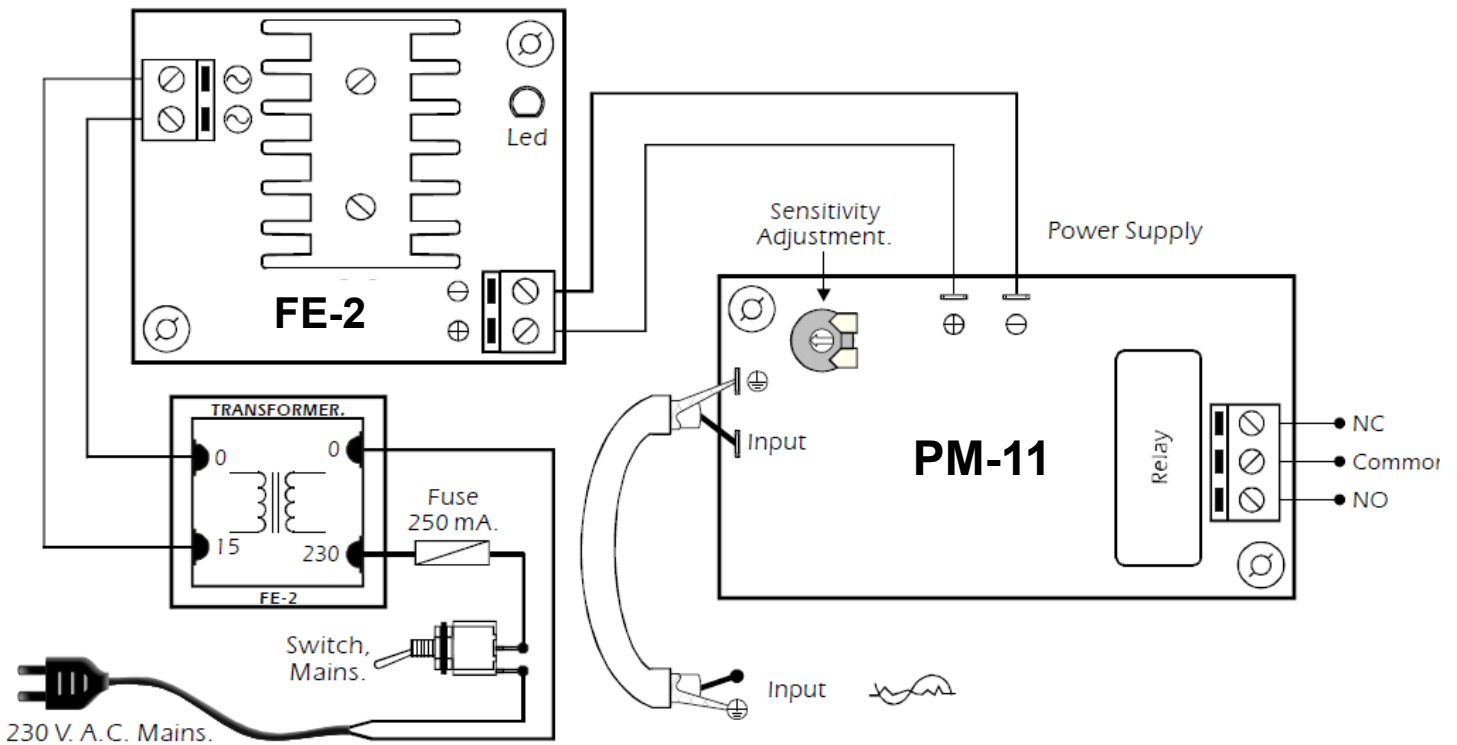


INSTALLATION. You have to use shielded cable for all connections and connect ground to the chassis of the box. Maintain a correct distance with other modules as power stage, which could dissipate a big heat. Install the module in a metallic enclosure with a ventilation grille .

ELECTRET MICROPHONE CONNECTION. If you wish to connect a microphone to the pm-11 module, you have to use an electret microphone. To obtain a correct operating, you have to proceed as following. Seeing the drawing, you have to change the position of the 4.7 uF capacitor to allow its negative sign to coincide with the negative sign present on the circuit. Then, you have to connect a 4K7 resistor between positive terminal of the input signal and the positive terminal of the power supply. Do not forget that the negative terminal of the microphone is the pin connected to this main part



GENERAL WIRING MAP



X-ON Electronics

Largest Supplier of Electrical and Electronic Components

Click to view similar products for [cebek](#) manufacturer:

Other Similar products are found below :

[I-33](#) [I-1](#) [I-10](#)