



## PREVIOUS HIGHT IMPEDANCE MICROPHONE

### PM-1



#### TECHNICAL CHARACTERISTICS

Supply Voltage .....	From 6 a 18V.CC
Minimum Consumption .....	2mA.
Maximum Consumption .....	10mA.
Reverse polarity protection .....	Yes.
Measures .....	50x35x20mm.
Minimum input signal .....	5mV.
Maximum input signal .....	300mV.
Maximum output signal .....	2V.
Input Impedance .....	47K.
Output Impedance .....	1K.
Frequency Range .....	30-17.000Hz.
Signal to Noise Ratio .....	80dB.
Maximum distortion .....	0.05%.

The PM-2 is a single previous high impedance microphone. Especially suitable for applications that require special quality and in a confined space.

Incorporates potentiometer for gain adjustment and protection against reverse polarity

**POWER SUPPLY :** The PM-1 must be supplied with a voltage of 6 to 18V. DC Adequately stabilized, so we recommend not using simple power supply, which adversely affect circuit operation, but a power supply. We suggest the FE-2, which is well suited to the needs of the circuit.

Observe the General Wiring. Asked the layout of the source output, a positive and negative power, corresponding to the input terminal of the module shown in the drawing. Make sure the installation was successful and do not activate the switch until you have read the rest of the instructions.

For the correct operation of the module, we recommend you isolate possible sources of network worms, for that, sandwiched in 230V.

**OPERATION :** Connect the input signal to the input terminals indicated in the General Connection.

During installation, the distance between your sound source and the PM-1 will be as short as possible, not exceeding 30cm. Long. In addition, mounting shielded cable should be used infrequently. The input signal could be supplied by auxiliary, mixers, etc. but should never exceed 300 mV. maximum level.

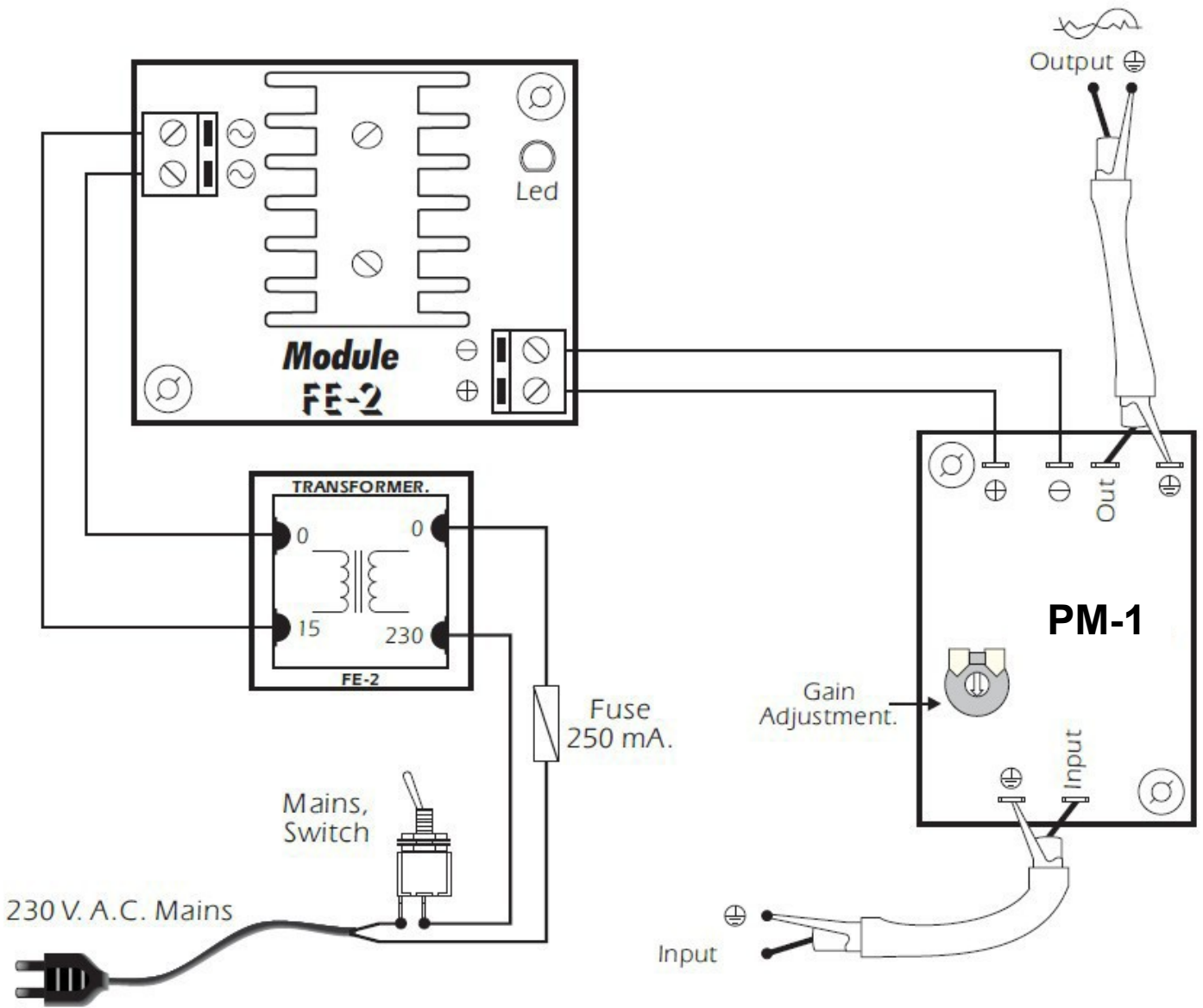
For the signal output make connections between the output terminals of the MP-1 and the module or device to which they are intended.

Minimize the length of cable you use to do this, (50 cm. Max.), And also use a low frequency shielded cable for installation. The connections of input and output, power up and adjust, indicated by the potentiometer, the gain of the module.

**INSTALLATION :** Besides shielded cable for all connections, a mass of circuit to the chassis of the box and keep a safe distance from other modules, such as power amplifiers, which can dissipate a lot of heat. Install a metal box with ventilation Holes.

**CONNECTING :** an electret microphone. In the particular case you want to connect PM2 electret microphone, you must first follow these instructions. Observe the drawing, first change of direction the capacitor C2, so that your negative indicates the negative sign drawn. Then connect a 4K7 resistor between the positive input signal and the positive supply. Note that the negative pin of the microphone is connected to its shell.

### GENERAL WIRING MAP



## **X-ON Electronics**

Largest Supplier of Electrical and Electronic Components

*Click to view similar products for [cebek](#) manufacturer:*

Other Similar products are found below :

[I-33](#) [I-1](#) [I-10](#)