



cebek[®]

SEQUENTIAL COMMAND I-55

CHARACTERISTICS

Voltage	12 V. D.C.
Minimum Consumption	50 mA.
Maximum Consumption	60 mA.
External Clock - input maxi. Frequency	25 Hz.
Internal Clock - Mini. Connection time by relay	0,3 Sec.
Internal Clock - Maxi. Connection time by relay	10 Sec.
Maximum Output Load By Relay	5 A.
Protection Against Polarity Inversion	Yes
Sizes	155 x 102 x 30 mm.

The I-55 module is a sequential command with 8 relay outputs. With each impulse, relays will be connected one after one, and disconnecting the previous one.

The sequence could be produce by external impulses or thanks to an internal oscillator.

The oscillator is adjusted with a potentiometer inserted in the PCB. It includes reset output, protection against polarity inversion, indicator output led and terminals to connect it.

Do not forget to read all the information sheet in order to obtain a perfect operating of the module.

OPERATING

POWER SUPPLY. The I-203 circuit had to be supplied by a 12 VDC power supply.

Then, we recommended you the FE-2 power supply which has been developed to perfectly answer to the circuit needs or a 12 V batteries for mobile applications. Install a fuse and a switch as it is indicated in the drawing. Both are obligatory to guarantee a correct protection of the module as well as for your own safety as it is required by the "CE" marking.

Connect the positive of the power supply to the positive terminal indicated in the wiring map, then connect also the negative of the power supply to the negative terminal indicated in the circuit. **Verify** that the assembly has been correctly done.

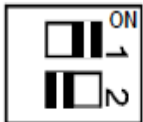
OPERATING. See the general wiring map. The module has a switch indicated as INT-1. Thanks to this switch you could select between automatic operating (controlled by the internal oscillator) and manual operating which be externally inserted.

Regarding manual operating. you have to place (in the switch INT-1) the contact N°1 in ON position and the contact N°2 in OFF position. Do not place permanently both contact in the same position to avoid to damage the module. See the drawing.

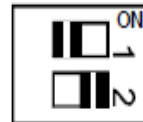
Connect a push button to the terminal indicated as impulses input (See General wiring map). If you have to connect a clock signal from an other apparatus, you have to respect their polarity and verify that it is a 12 VDC signal. When the push button is installed, after each pressure relay will be activated one after one, and disconnecting the previous one.

Regarding automatic operating. you have to place (in the switch INT-1) the contact N°1 in OFF position and the contact N°2 in ON position. Do not place permanently both contact in the same position to avoid to damage the module. See the drawing.

Adjust the speed using the potentiometer inserted in the PCB to adjust the frequency. After each pressure relay will be activated one after one, and disconnecting the previous one.



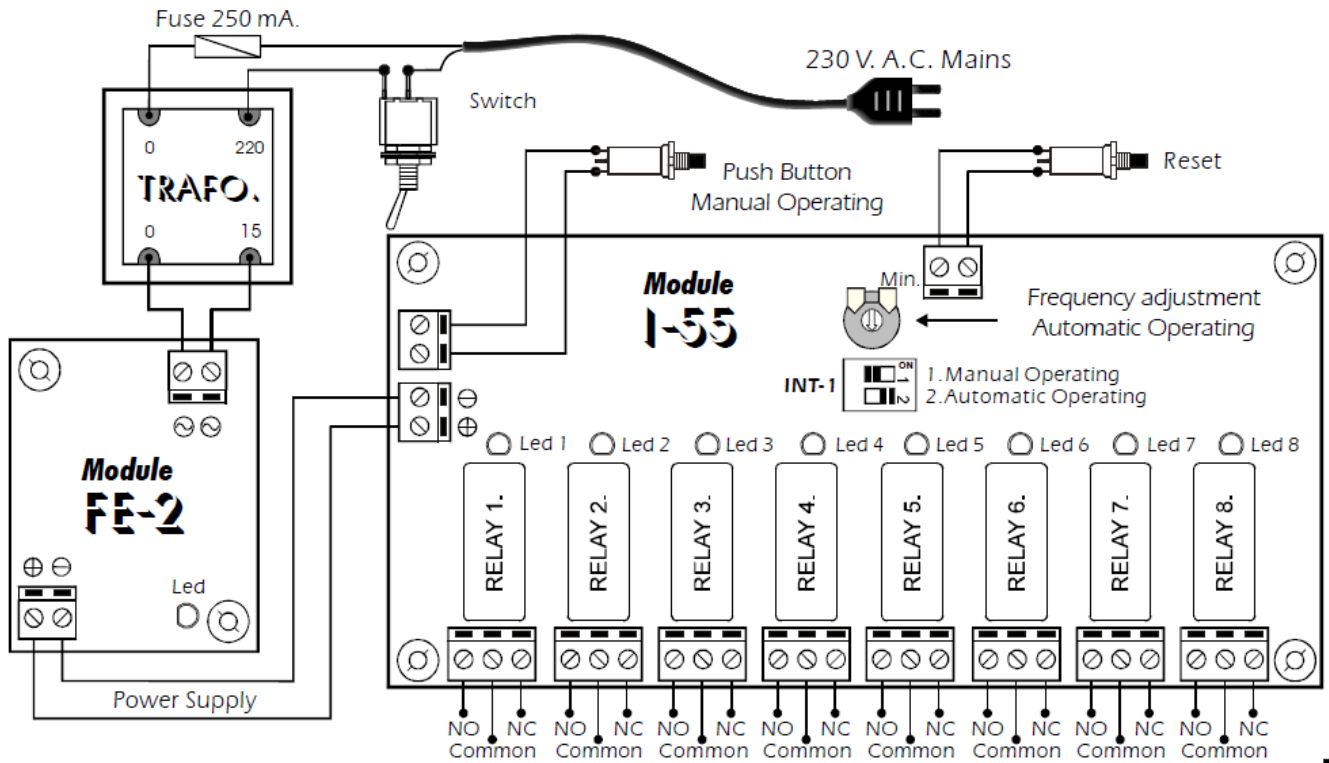
Manual Operating
External Clock



Automatic Operating
Internal Clock

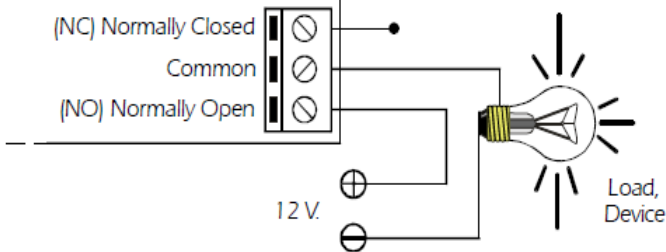
REST. See the general wiring map. Connect a push button to the terminal indicated as "Reset". Each time you press this push button and independently of the activated relay, the module will come back at the beginning of the sequence (to the first relay) until you stop to press the "reset" push button.

GENERAL WIRING MAP.

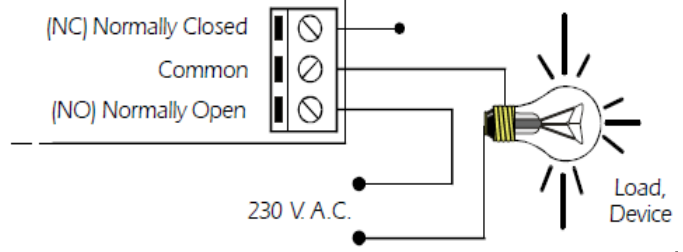


OUTPUT. CONNECTION OF THE LOAD. The output Module (I-55) is controlled by a relay, allowing any load until 5 A. as maximum consumption. The relay has 3 output terminals the normally open at quiescent (NA), the normally closed at quiescent (NC) and the common. The operating of this mechanism is the same as a switch with two (2) terminals NA and common, if you wish that the output will be activated during the timer, or between the NC and the common to obtain the reverse operating.

12 V. D.C. TO CONNECTION

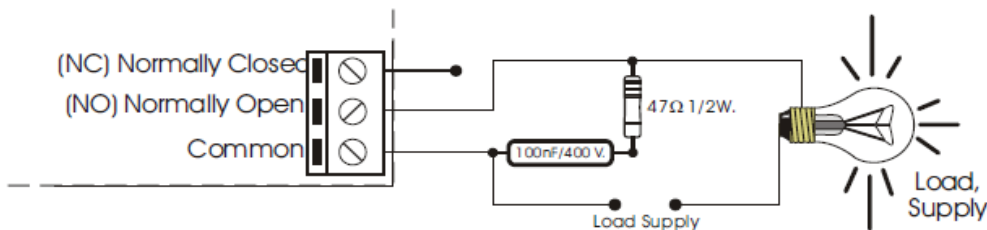


230 V. A.C. TO CONNECTION



VDC and to operate at 220 VAC.

OUTPUT. DO NOT FORGET. When the module is working and according to its load, it could happen an incorrect operating of the output. If it is the case, you have to install a circuit between 2 relay's contacts used for the



X-ON Electronics

Largest Supplier of Electrical and Electronic Components

Click to view similar products for [cebek](#) manufacturer:

Other Similar products are found below :

[I-33](#) [I-1](#) [I-10](#)