

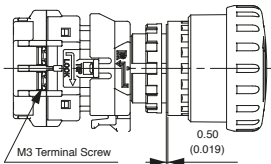
APEM



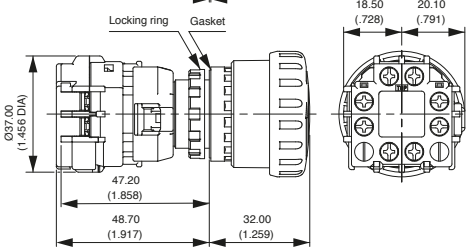
HIGH SECURITY INDUSTRIAL CONTROLS

Fail safe Emergency Stop switch including enclosure with or without illuminated halo

With Illuminated Halo

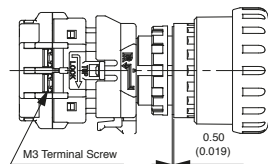


A02ESH3B112IX0
Double pole positive break
plus one normally open

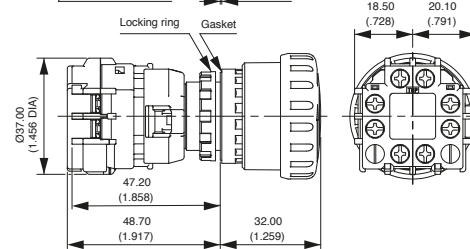


1

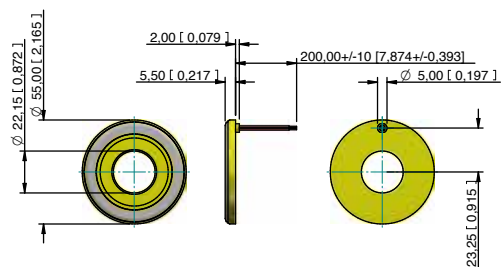
Without Illuminated Halo



A02ESH3B112IX0
Double pole positive break
plus one normally open



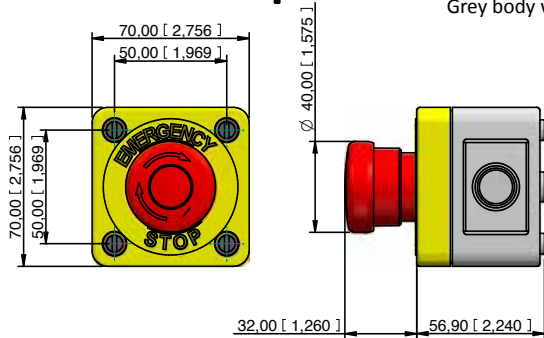
1



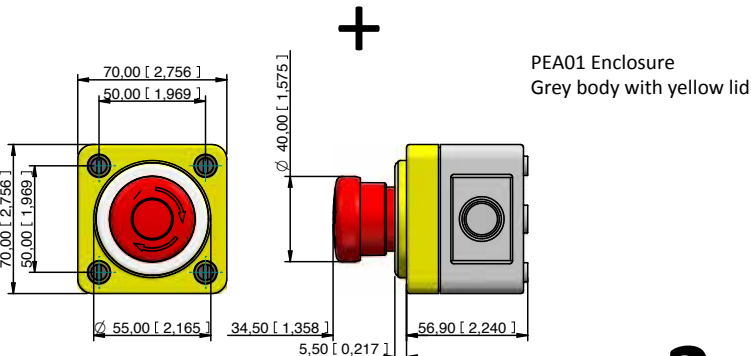
QH22L57YC
Yellow Halo 12/24VDC
Or
QH22L28RGC Red/Green
Bi-Colour Halo 12/24VDC

2

PEA01 Enclosure
Grey body with yellow lid



2



PEA01 Enclosure
Grey body with yellow lid

3

Please note Enclosure shown with items 1 fitted

Part Number Detail

High Security Emergency Stop Switch inc Enclosure
& Illuminated Yellow Halo Indicator
APEM Part Number:- A02ESH3B112IX0+PEA01+QH22L57YC

High Security Emergency Stop Switch inc Enclosure
& Illuminated Red/Green Halo Indicator
APEM Part Number:- A02ESH3B112IX0+PEA01+QH22L28RGC

High Security Emergency Stop Switch Inc Enclosure
& Yellow Label
APEM Part Number:- A02ESH3B102IX0+PEA01+A01YL5

Please note Enclosure shown with items 1 and 2 fitted

X-ON Electronics

Largest Supplier of Electrical and Electronic Components

Click to view similar products for [apem](#) manufacturer:

Other Similar products are found below :

[48](#) [TW11GRY1](#) [SLB13814](#) [SLC120025](#) [DA04T](#) [Q6F1CXXB24](#) [SLG12004](#) [SLB1281R5](#) [DPL-02](#) [DA08](#) [5D15F1534](#) [M11L0A1M](#)
[M11L0B1M](#) [M21L0E1C](#) [M31L0M1M](#) [CW-A0BK1A00A0](#) [MAB6B](#) [A019101](#) [A019305](#) [A019409](#) [A029301](#) [A1PCA0X106J103](#)
[Q16F1BXXR12E](#) [Q22F1BXXY12E](#) [Q22F1CXXB24E](#) [Q22F1CXXG12E](#) [Q8P1BXXY110E](#) [Q8P3BXXG12E](#) [Q8P7BZZRYG12E](#)
[Q8R3BXXG02E](#) [121442RA](#) [HF-33S10](#) [HF44R11](#) [HF45R10](#) [HFX44S00](#) [DMR10](#) [DSR04T](#) [AV0830C900](#) [AV19810KMZB](#) [MSS22](#)
[BD150A01RE0000](#) [BD150D02BK1200](#) [HS1T24GA](#) [1D09034](#) [1Z03](#) [1ZZ](#) [NZAA0477](#) [NZAA1475](#) [NZAB1475](#) [NZAB1477](#)